



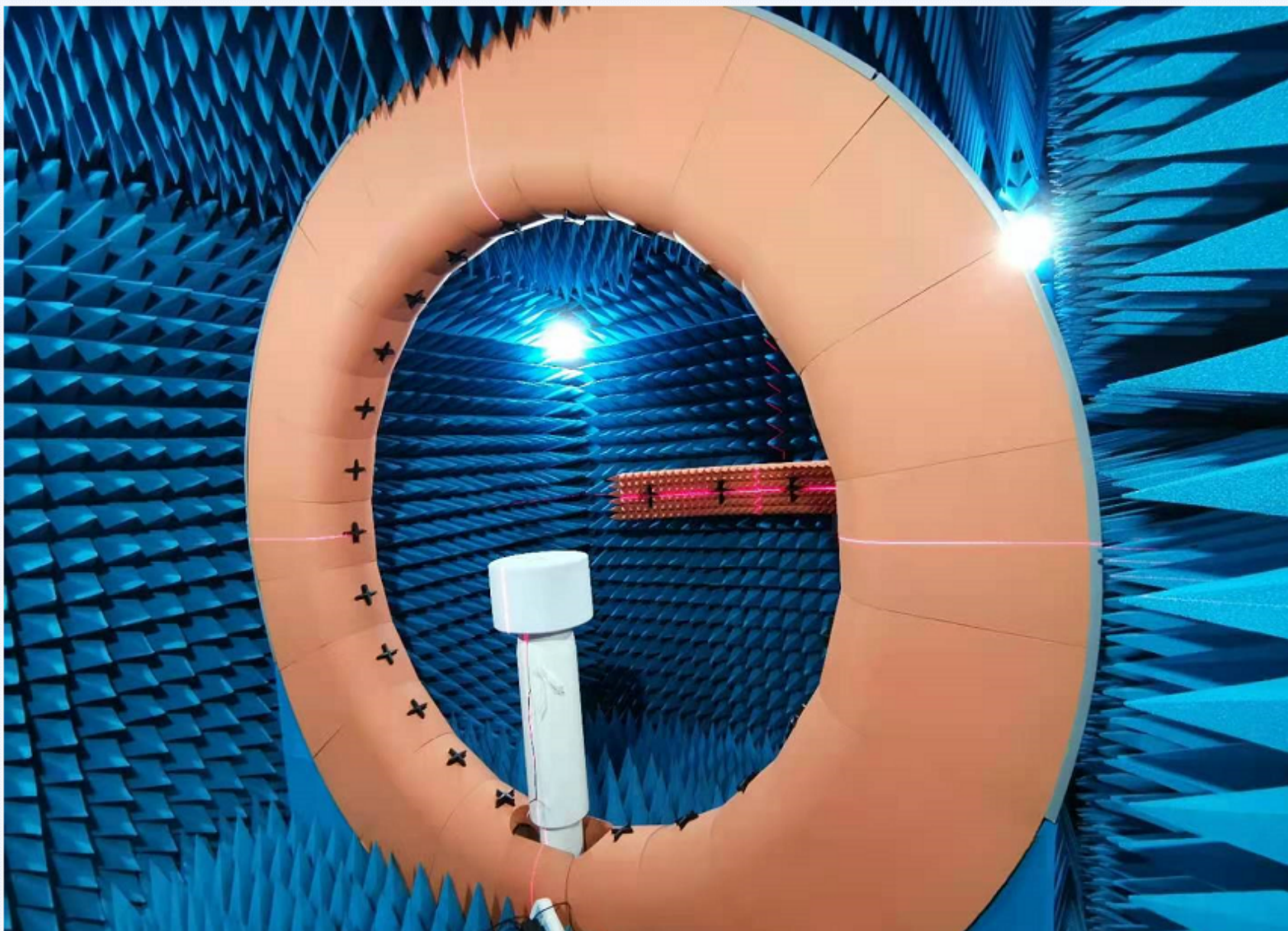
# Shenzhen Anchuang Zhilian Electronics Co., Ltd

Antenna debugging report

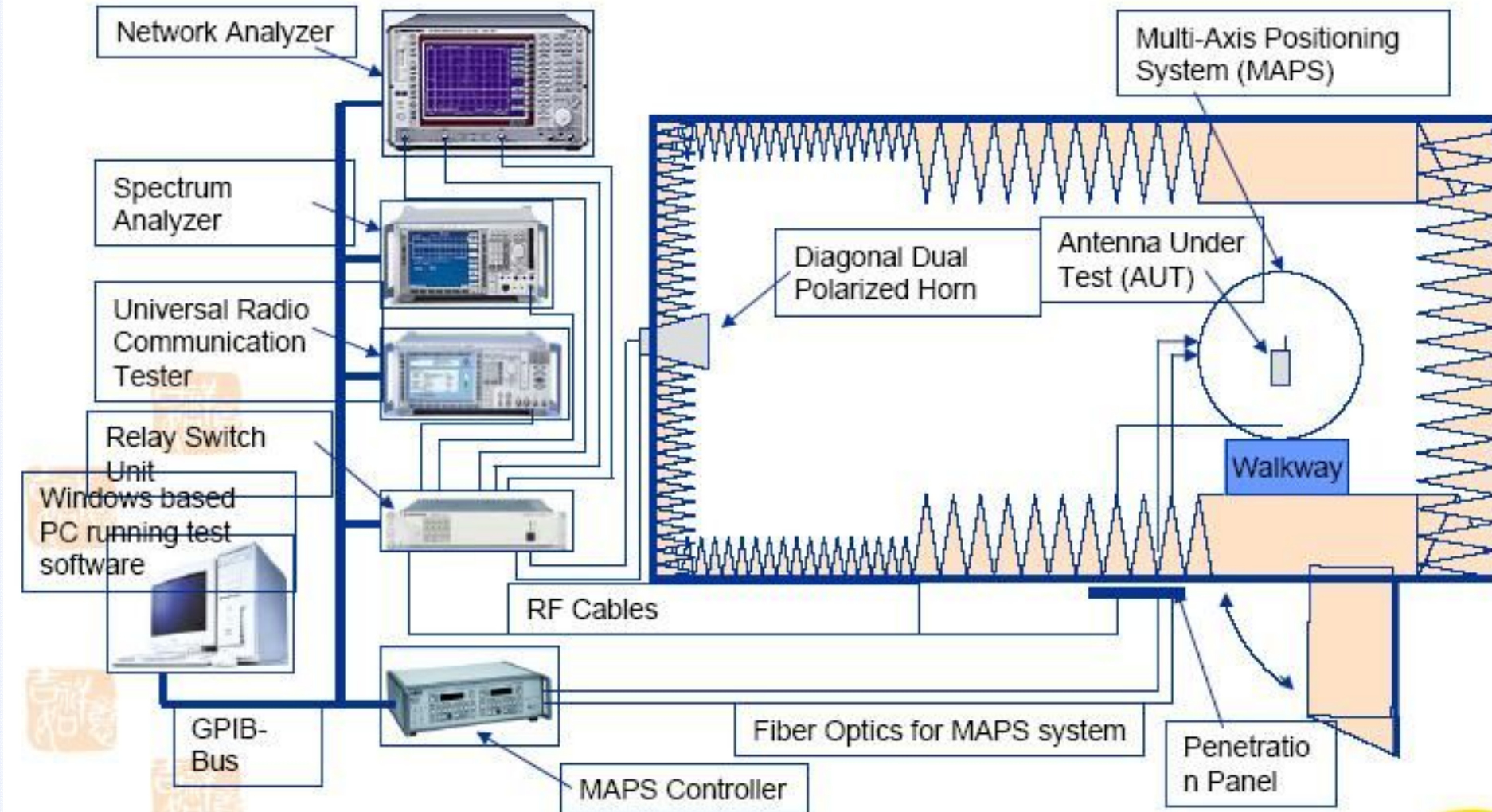
# project information

custom:	Jarvis	Project - Motherboa rd	F7N	date	2024.5.8
Frequency band	2400-2500				
Antenna Structure	FPC				
RF Engineeri ng	Yi Longhui				
Structura l engineeri ng	Liu Gong				
Report version	V1.0				

# SATIMOdarkroom



# test system



## testing environment

testing  
environme  
nt

XH-IOE MPS2440 Test System

ambient  
temperatur  
e

23°C

ambient  
humidity

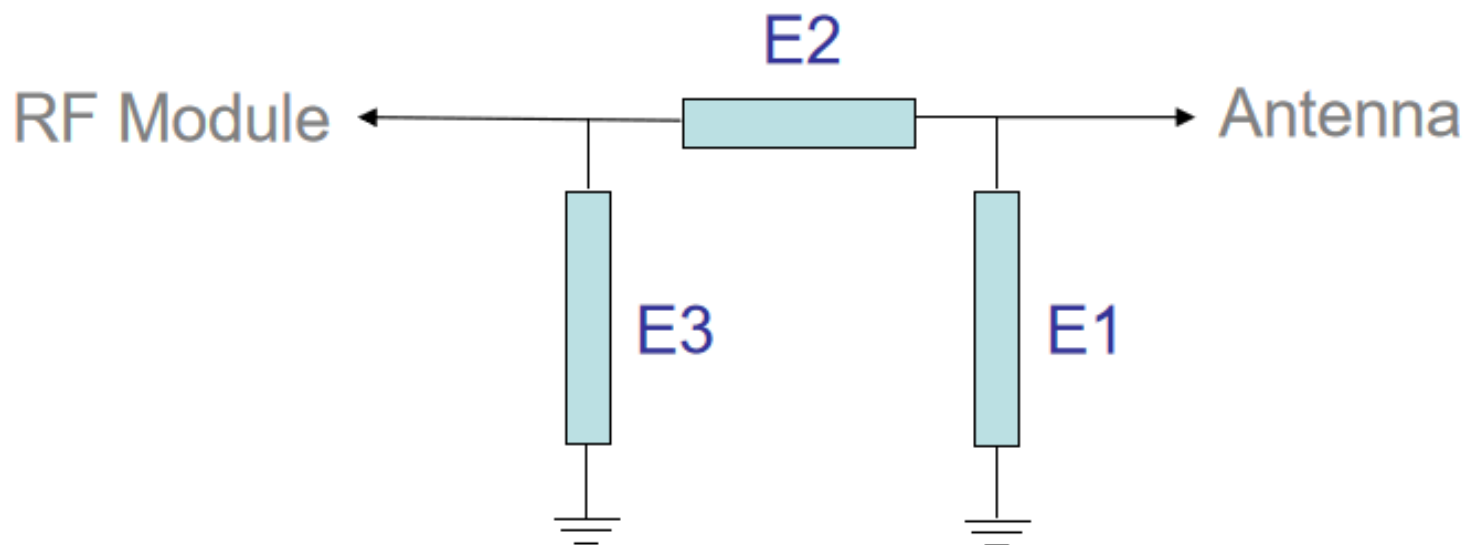
52%

Ambient air  
pressure

101KPa

- 1、 product drawing
- 2、 matching circuit
- 3、 test data

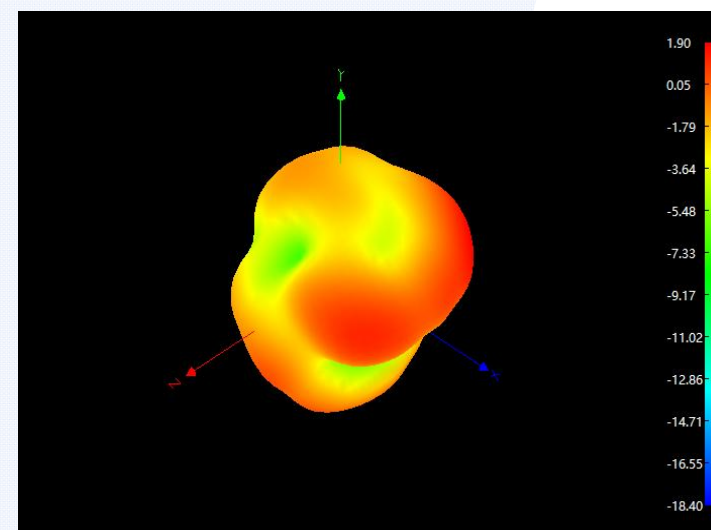
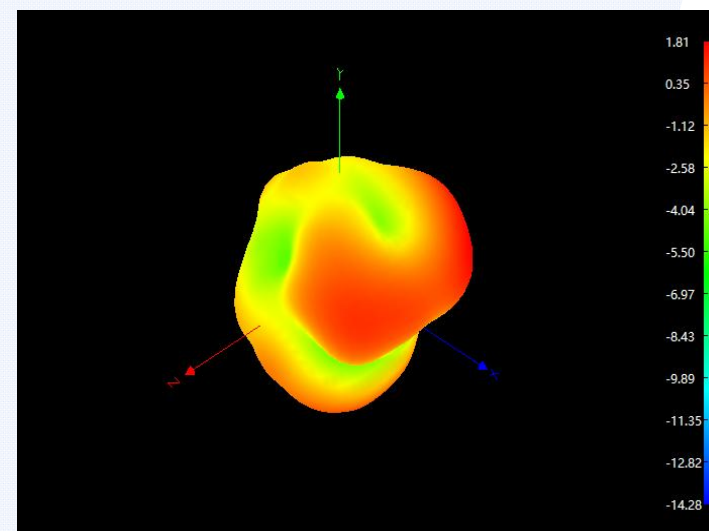


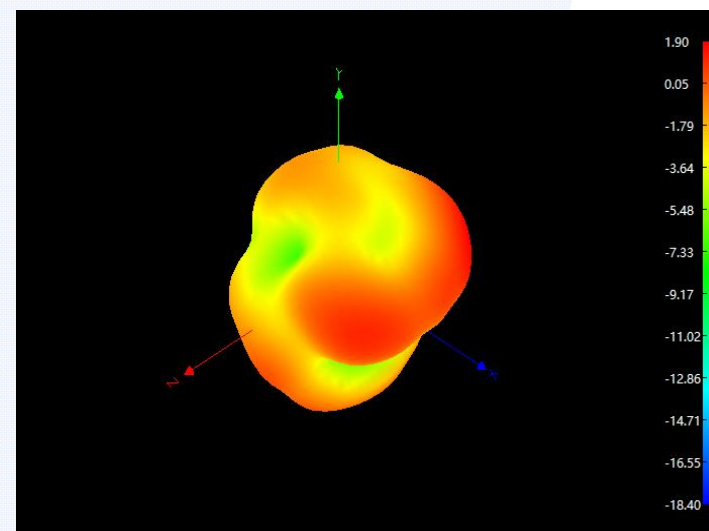
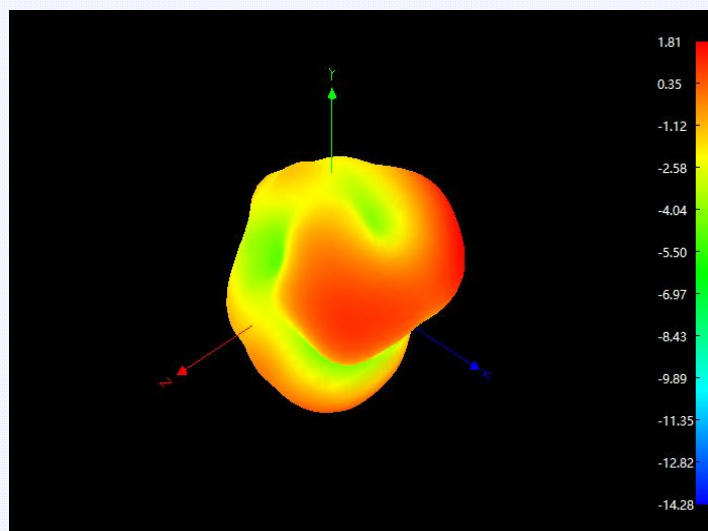


Element	Value
E1(0402)	
E2(0402)	
E3(0402)	
No changes made to the original match	

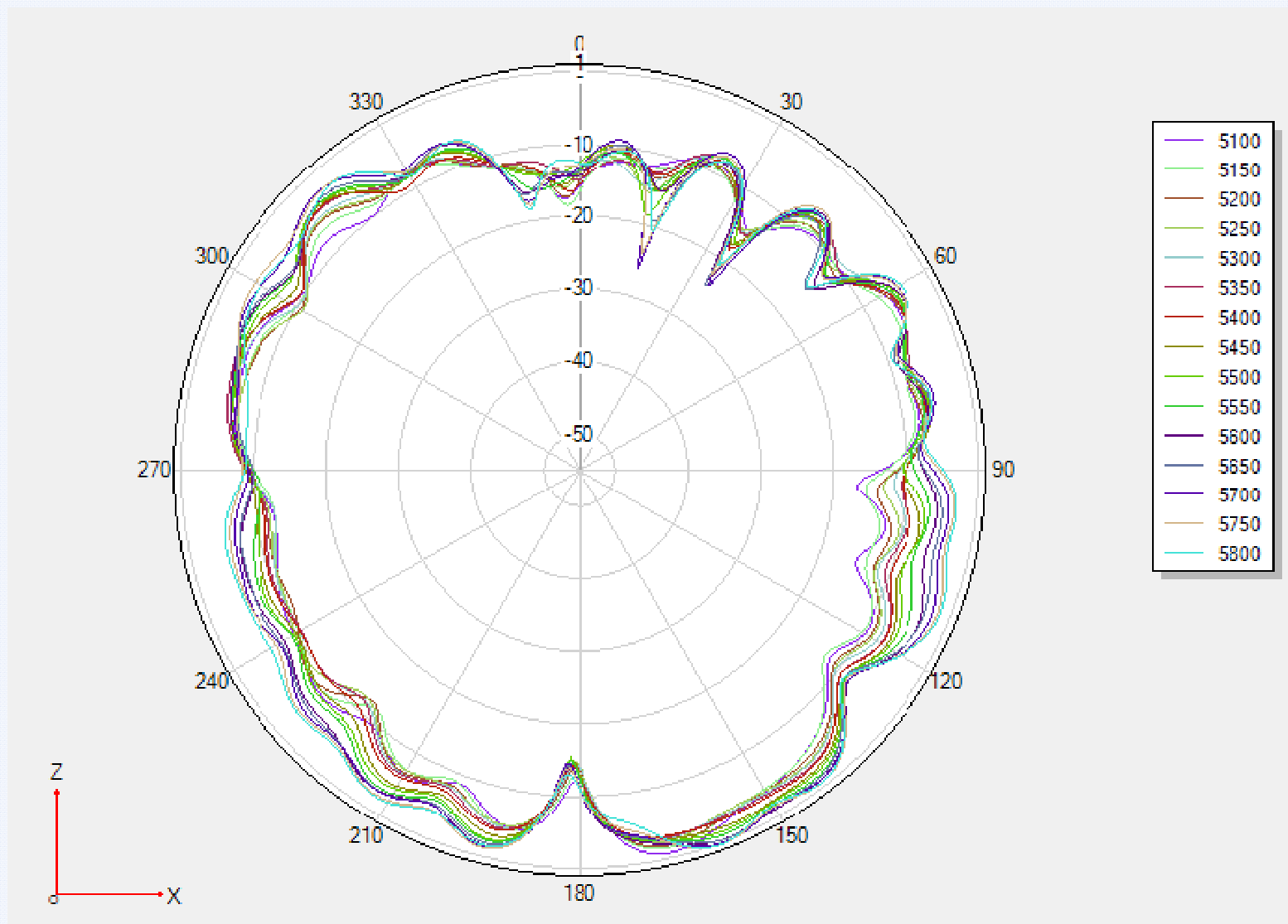


Frequency	Efficiency	Efficiency	Gain/ dBi
2400	-3.61	43.55	1.81
2410	-3.43	45.39	1.98
2420	-3.46	45.08	2.12
2430	-3.49	44.77	2.12
2440	-3.23	47.53	2.42
2450	-3.27	47.1	2.39
2460	-3.44	45.29	2.15
2470	-3.32	46.56	2.28
2480	-3.44	45.29	2.14
2490	-3.66	43.05	1.74
2500	-3.49	44.77	1.9

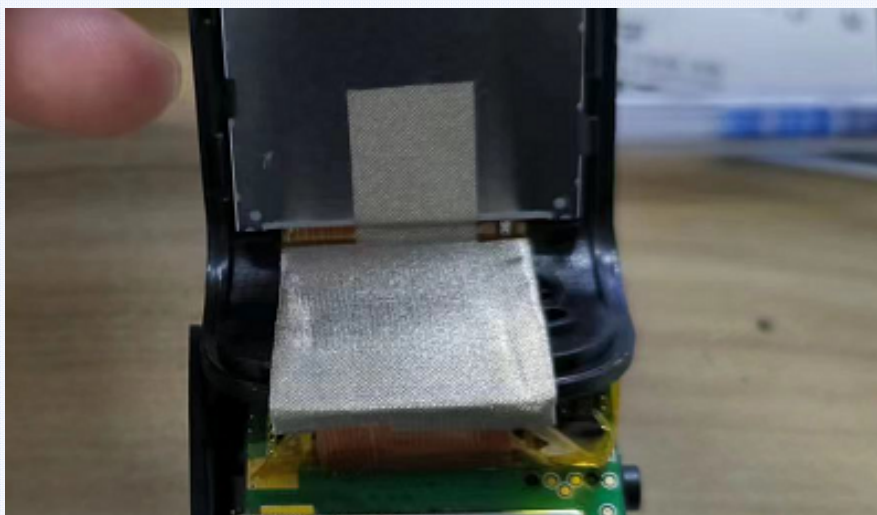




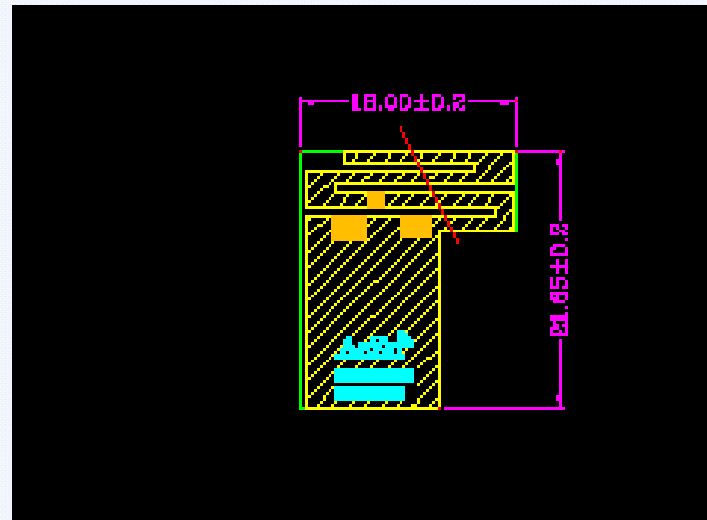
# 2D map



# Environmental treatment



# Antenna map





Thank You !

