

2. 4G无线可视门铃

用户手册V1.1



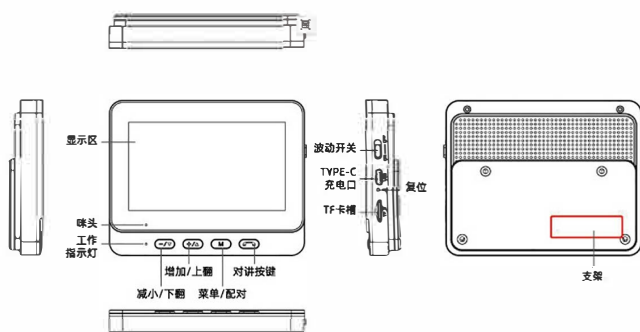
使用本产品前，请仔细阅读使用说明书，说明书仅供参考，具体操作以实物为准。

一、外观介绍:



门铃:

- 1)
- 2)
- 3)
- 4)



室内显示器

- 1)
- 2)
- 3)
- 4)

二. 门铃与室内显示器配对:



1. 将室内显示器拨动开关拨至“ON”处开机，长按“M”键，显示屏显示“连接中.....30”，进入配对模式，
2. 同时长按门铃按键，工作指示灯闪烁。
3. 室内显示器显示“连接中.....✓”即配对成功。

三. 功能及按键使用说明:

| 图标 | 说明 | 图标 | 说明 |
|----|-----------|----------|----------|
| | 短按菜单/长按配对 | | 连接信号强度 |
| | 长按对讲/短按休眠 | | 对讲声音大小 |
| | 下翻/减少 | | 门铃电量 |
| | 上翻/增加 | | 显示器电量 |
| | 照片文件 | | 对讲图标 |
| | 录像文件 | 无连接 | 未配对/门铃休眠 |
| | 铃声选择 | 连接中...21 | 配对中 |
| | 设置 | 连接中...✓ | 配对成功 |

1. M 键功能:

- 1.1. 长按“M”进入配对模式
- 1.2. 短按进入菜单设置; 菜单模式下, 点按返回上一页。

2. 对讲按键

- 2.1. 当访客敲响门铃时, 室内机被唤醒及响铃, 按一次“”接听, 长按“”对讲, 再按一次挂断, 室内机和室外门铃同时进入休眠。
- 2.2. 休眠模式下, 长按“”室内显示器开机, 可进入菜单设置。

2.3. 菜单模式下, 点按“”即可确认设置。

3. -/▼、+ /▲功能:

- 3.1. 在视频界面, 按“-/▼”键减小对讲音量, 按“+ /▲”键增加音量。
- 3.2. 菜单界面, 按“-/▼”键进入下一个选项或减小音量/亮度; 按“+ /▲”键进入上一个选项或加大音量/亮度。

4. 菜单功能:

- 4.1. 照片: 敲响门铃, 室内显示器自动抓拍照片, 系统可保存照片, 循环覆盖, 保存最新照片。
- 4.2. 录像: 此功能需插SD卡, 敲响门铃, 显示器自动开启录像, 循环覆盖, 保存最新录像。
- 4.3. 铃声设置: 可选叮咚音乐。
- 4.4. 设置:

语言: 按- /▼、+ /▲键选择语言, 按“”确认;

亮度: 按- /▼、+ /▲键调整屏幕亮度;

铃声音量: 按- /▼、+ /▲调整铃声音量;

版本号: 生产固件版本号;

时间设置: 按- /▼、+ /▲调整时间数值, 按“”键进入下一项设置, 全部设置好, 按“M”返回保存设置。

四. 安装位置:

门铃支持2种安装方式, 3M强力胶固定和螺丝钉固定, 安装在门上或光滑的墙壁上; 门铃低电时, 可拆下充电。室内显示器长期插电使用, 放置在易充电的桌面上或

悬挂在墙上; 设备内置锂电池, 以备停电应急使用。墙壁、窗户、金属门等会减弱信号强度, 请尽量将设备安装在信号较强范围内。

五、注意事项:

- 设备为低功耗门铃, 无人按门铃时, 设备进入休眠待机模式。
- 墙壁、窗户、金属门等会减弱信号强度, 请尽量将设备安装在信号较强范围内。
- 使用前先将门铃与室内显示器配对, 安装在有效区域。
- 如果显示器离门铃太近, 会产生回声, 请将他们远离或降低音量, 噪音就会消失。
- 本产品适用工作温度为-10° C~50° C, 请勿在温度过高或过低的环境下使用本产品。
- 本产品为精密电子产品, 请勿在过度潮湿或可能会导致本产品进水的环境下使用本产品, 以免影响正常使用。
- 为更好地使用本产品, 应避免镜头正面及侧面靠近玻璃、白墙等反光物体, 以免造成画面近处亮、远处暗或者发白的现象。

Smart doorbell

User's Manual V1.1



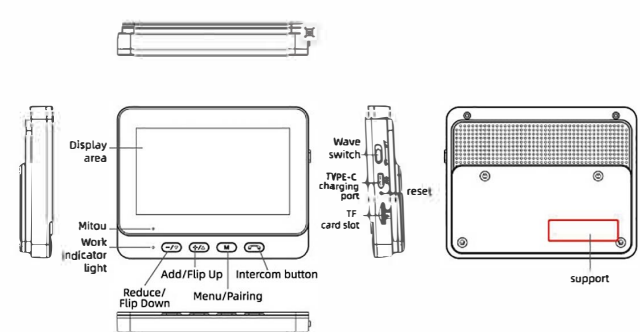
Before using this product, please read the instructions carefully, which is for reference only. The specific operation is subject to the physical object.

I.Appearance introduction:



the doorbell:

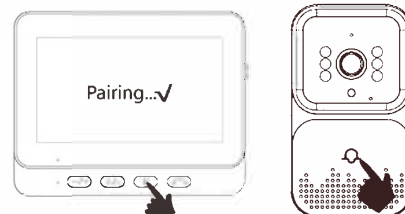
- 1)
- 2)
- 3)
- 4)



Indoor display

- 1)
- 2)
- 3)
- 4)

II.The Doorbell is paired with an indoor display:



1. Push the indoor display dial switch to "ON", long press "M" key, the display shows " connect.....30", which goes into the pairing mode.
2. At the same time, long press the doorbell button, the work indicator light flashing.
3. Indoor display displays " Connect.....✓ " is a successful pairing.

III.Function and key use instructions:

| Icon | Illustrate | Icon | Illustrate |
|------|--|--------------|------------------------------|
| | Short press menu /long press pairing | | Connection signal strength |
| | Long press to talk /short press to sleep | | Intercom volume |
| | Turn down/Reduce | | Doorbell battery |
| | Turn up/increase | | Monitor power |
| | Photo Files | | Intercom icon |
| | Video File | Disconnect | Not paired/Doorbell sleeping |
| | Ringtone Selection | Pairing...21 | Pairing |
| | Set Up | Pairing...✓ | Pairing Successful |

1. M Key function:

- 1.1. Long press "M" to enter the pairing mode
- 1.2. Tap to enter the Menu Settings. In Menu mode, click to return to the previous page.

2. Keynote

- 2.1. When the visitor rings the doorbell, the indoor unit will wake up and ring. Press " " once to answer the call, long press " " intercom, and press again to hang up, The indoor unit and outdoor doorbell will go to sleep at the same time.
- 2.2. In hibernation mode, press and hold Indoor Monitor to power on and access menu Settings.
- 2.3. In menu mode, click " " to confirm the setting.

3. - / ▼、+ / ▲ functions:

- 3.1. In the video interface, press the "- / ▼" key to reduce the intercom volume, and press the "+ / ▲" key to increase the volume.
- 3.2. Menu interface, press "- / ▼" to enter the next option or reduce the volume / brightness; press "+ / ▲" to enter the previous option or increase the volume / brightness.

4. Menu function:

- 4.1. Photos: ring the doorbell, the indoor display automatically captures the photos. The system can save the photos, cycle coverage, and save the latest photos.
- 4.2. Video recording: This function requires inserting the SD card, ringing the doorbell, the display will automatically open the

video recording, cycle coverage, and save the latest video recording.

4.3. Ring tone setting: optional ding Dong music.

4.4. Settings:

Language: Press the - / ▼、+ / ▲ keys to select the language, and press " " to confirm;

Brightness: Press the - / ▼、+ / ▲ keys to adjust the screen brightness;

Ring volume: Press - / ▼、+ / ▲ to adjust the ring volume;

Version number: production firmware version number;

Time setting: Press - / ▼、+ / ▲ to adjust the time value. Press the " " key to enter the next setting. After all settings are completed, press "M" to return to save the settings.

IV. Installation Site:

The doorbell supports two installation methods, 3M force glue fixing and screw fixing, installed on the door or smooth wall; when the doorbell is low power, can be removed for charging.

Indoor display is plugged in for a long time, placed on the easily charged desktop or suspended on the wall; the device has built-in lithium battery for emergency use of power failure. Walls, Windows, metal doors, etc. will weaken the signal strength, please try to install the equipment within the strong signal range.

V. Matters Need Attention:

- The device is a low-power doorbell. When no one presses the

doorbell, the device enters the dormant standby mode.

- Walls, Windows, metal doors, etc. will weaken the signal strength, please try to install the equipment within the strong signal range.
- Before use, pair the doorbell with an indoor display and install it in a valid area.
- If the monitor is too close to the doorbell, it produces echoes, keep them away or lower the volume and the noise will disappear.
- The applicable working temperature of this product is -10°C~50°C. Do not use this product under too high or too low temperature.
- This product is a precision electronic product. Do not use this product in the environment of excessive moisture or water that may cause water to enter the product, so as not to affect the normal use.
- In order to better use this product, the front and side of the lens close to the glass, white wall and other reflective objects, so as not to cause the picture near bright, distant dark or white phenomenon.

This device complies with part 15 of the FCC Rules. Operation is subject to the following two conditions: (1) This device may not cause harmful interference, and (2) this device must accept any interference received, including interference that may cause undesired operation.

Any Changes or modifications not expressly approved by the party responsible for compliance could void the user's authority to operate the equipment.

Note: This equipment has been tested and found to comply with the limits for a Class B digital device, pursuant to part 15 of the FCC Rules. These limits are designed to provide reasonable protection against harmful interference in a residential installation. This equipment generates uses and can radiate radio frequency energy and, if not installed and used in accordance with the instructions, may cause harmful interference to radio communications. However, there is no guarantee that interference will not occur in a particular installation. If this equipment does cause harmful interference to radio or television reception, which can be determined by turning the equipment off and on, the user is encouraged to try to correct the interference by one or more of the following measures:

- Reorient or relocate the receiving antenna.
- Increase the separation between the equipment and receiver.
- Connect the equipment into an outlet on a circuit different from that to which the receiver is connected.
- Consult the dealer or an experienced radio/TV technician for help.
- This equipment complies with FCC radiation exposure limits set forth for an uncontrolled environment. This equipment should be installed and operated with minimum distance 20cm between the radiator & your body.