

## CD Player User Manual

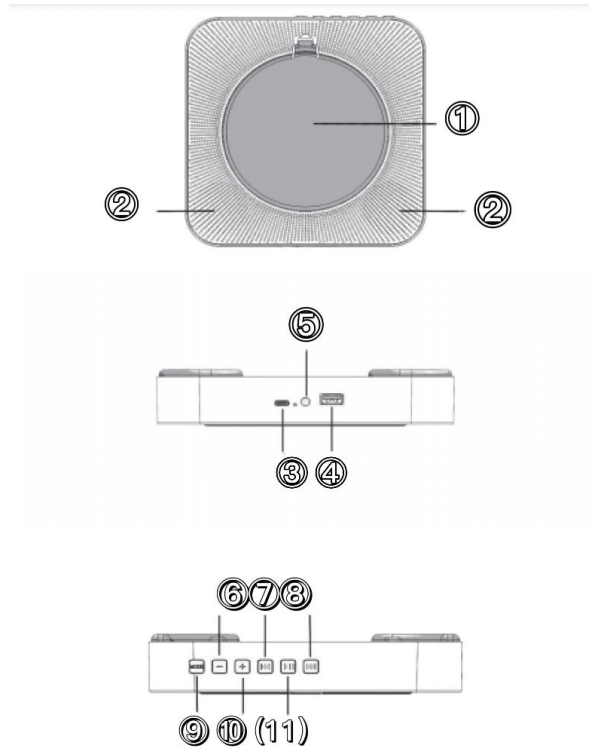


### ***CD Player Specifications:***

1. Dimensions: 7.4\*7.4\*1.26inches
2. Net Weight: 525g
3. Rated Power: 10W
4. Rated Voltage: 5V
5. Speaker Rated Output Power: 3W

### ***CD Player Features:***

1. CD playback.
2. Bluetooth5.0 connectivity for playing music from mobile devices.
3. USB and memory card (requires card reader) playback.
4. Built-in dual speakers with stereo sound output.
5. Supports external playback with a 3.5mm audio cable.
6. Supports external speaker for enhanced sound experience.
7. A-B repeat function.
8. Supports normal playback, single track repeat, all tracks repeat, and shuffle play modes.
9. Wall-mountable.
10. Suitable for desk-top placement.
11. vinyl CD playback.
12. Fast forward and rewind.
13. Built-in 1800mAh high-capacity battery (except for plug-in version), portable for on-the-go use.
14. Wireless remote control.
15. Bluetooth transmission.



### CD machine button introduction

- ① Dustproof Noise Reduction Cover
- ② Speaker
- ③ Type-C Charging Port
- ④ USB Port
- ⑤ Headphone Jack
- ⑥ Volume-
- ⑦ Previous Track
- ⑧ Next Track
- ⑨ CD Mode/Bluetooth Mode
- ⑩ Volume+
- ⑪ Play/Pause

### Function Introduction

#### 1. How to power on:

Press and hold the MODE button on the machine for a few seconds to power on when the battery is charged or the machine is connected to power.

#### 2. How to power off:

While in the power-on state, press and hold the MODE button on the machine or press the power-off button of the remote control to power off. (After 10 seconds of powering off with the remote control, the machine will be completely powered off and can be powered on again by pressing the MODE button for a few seconds.)

### 3. How to play a CD:

Prepare the CD and place it on the CD tray. Press and hold the MODE button to power on the machine (it defaults to CD mode with a green light). The CD will start spinning and after about 10 seconds of reading, the music will start playing.

### 4. How to use the Bluetooth function:

With the machine powered on, press the MODE button once or press the Bluetooth button on the remote control to switch to Bluetooth mode. The machine light will turn blue and start flashing. Then, go to the Bluetooth settings on your mobile device, search for "CD Bluetooth," and pair and connect to it. The light will stay solid blue. You can now play music from your mobile device through the Bluetooth connection.

### 5. How to play music from a USB drive:

While the machine is powered on, simply insert the USB drive. It will read the data briefly and start playing the music.

### 6. How to connect external speakers:

Use an AUX audio cable to connect one end to the CD player's headphone jack and the other end to the audio input on your external speakers. The music will play through the connected speakers.

### 7. How to use the A-B repeat function:

Press the A-B button on the remote control at the beginning of the section you want to repeat. Press the A-B button again at the end of the section. The player will repeat playing that section. Pressing the A-B button again will cancel the A-B repeat function.

### 8. How to select the play mode in CD mode:

While the CD is playing, press the repeat button on the remote control to cycle through different play modes: random play, all tracks repeat, single track repeat, and normal play.

### 9. How to fast forward or rewind:

Fast forward: Press and hold the Next Track button on the machine or the remote control.

Rewind: Press and hold the Previous Track button on the machine or the remote control.

### 10. How to Connect Bluetooth Headphones & Bluetooth Speakers (Bluetooth Transmitter models only):

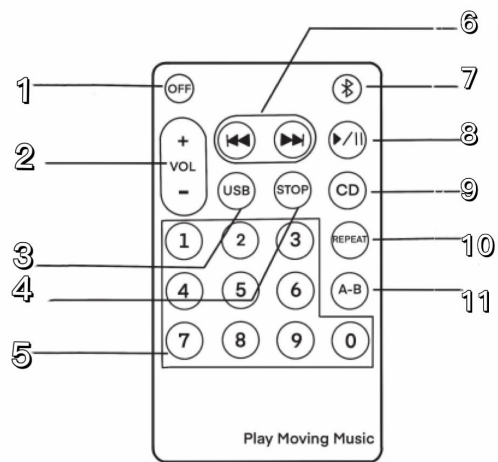
Using the remote control, press and hold the Bluetooth icon button for 3 seconds, or on the device, press and hold the Play/Pause button for 3 seconds to switch to Bluetooth transmitting mode.

Put your Bluetooth headphones or Bluetooth speakers into pairing mode.

The device will automatically connect to the paired Bluetooth headphones or speakers.

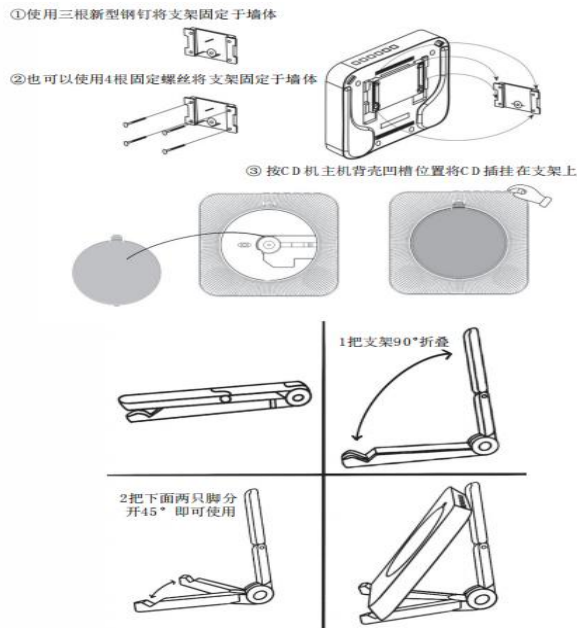
Please refer to this user manual for detailed instructions on all features and functions of the Portable Bluetooth CD Player. If you encounter any issues or have further questions, please refer to the troubleshooting section or contact our customer support.

Note: The specifications and features mentioned in this user manual are subject to change without prior notice for product improvement purposes.



### Remote control panel

- 1、 Shutdown/Press and hold for 3 seconds to turn off the LED indicator light
- 2、 Volume +/-
- 3、 Switch to USB
- 4、 Stop
- 5、 Track Selection
- 6、 Previous Track/Next Track
- 7、 Bluetooth Mode
- 8、 Play/Pause
- 9、 CD Mode
- 10、 Switching cycle mode
- 11、 A-B repeat



- ① Use three new steel nails to fix the bracket to the wall
  - ② Four fixing screws can also be used to secure the bracket to the wall
  - ③ Plug the CD on the bracket at the back case slot of the CD host
- 1 put the scaffold 90 fold
  - 2 Break up the bottom two feet Turn 45

### **Faults and Causes:**

1. This CD player cannot play DVDs, VCDs, MP4s, CD-ROMs, DVD-ROMs, or other similar discs. If such discs are used, the machine will not be able to read them and will automatically stop spinning after a while.
2. Discs with significant scratches may cause malfunctions during CD playback. Please avoid using heavily scratched discs.
3. Remote control not working:
  - Check if the remote control has batteries installed.
  - Ensure that the batteries are inserted correctly with the correct polarity.
  - Verify if the batteries have sufficient power.
  - Make sure the remote control is pointed towards the CD player's sensor area.
  - Ensure that the remote control is within a distance of 5 meters from the CD player.
4. For any other malfunction, please contact customer support immediately. Do not attempt to dismantle the CD player on your own.
5. Avoid using the CD player in damp locations, such as bathrooms, as excessive moisture can damage electronic components.

6. During CD playback, if you experience stuttering or freezing, it may be due to insufficient power supply. You can try replacing the charging plug to see if it resolves the issue.

Please follow these guidelines to address the mentioned faults and ensure the proper functioning and longevity of the CD player.

***Wall Mount Bracket Installation Guide:***

1、 Use three new steel screws to secure the bracket to the wall. Make sure the bracket is firmly attached to the wall, providing stable support.

2、 Locate the groove on the back of the CD player main unit. The groove is usually located in the center of the CD player. Insert the CD player onto the bracket, aligning the groove with the hooks or protrusions on the bracket.

Ensure that the CD player is securely mounted on the bracket to prevent any shaking or detachment.

This device complies with part 15 of the FCC Rules. Operation is subject to the following two conditions: (1) This device may not cause harmful interference, and (2) this device must accept any interference received, including interference that may cause undesired operation.

Any Changes or modifications not expressly approved by the party responsible for compliance could void the user's authority to operate the equipment.

**Note:** This equipment has been tested and found to comply with the limits for a Class B digital device, pursuant to part 15 of the FCC Rules. These limits are designed to provide reasonable protection against harmful interference in a residential installation. This equipment generates uses and can radiate radio frequency energy and, if not installed and used in accordance with the instructions, may cause harmful interference to radio communications. However, there is no guarantee that interference will not occur in a particular installation. If this equipment does cause harmful interference to radio or television reception, which can be determined by turning the equipment off and on, the user is encouraged to try to correct the interference by one or more of the following measures:

- Reorient or relocate the receiving antenna.
- Increase the separation between the equipment and receiver.
- Connect the equipment into an outlet on a circuit different from that to which the receiver is connected.
- Consult the dealer or an experienced radio/TV technician for help.

RF warning for Portable device: The device has been evaluated to meet general RF exposure requirement. The device can be used in portable exposure condition without restriction.