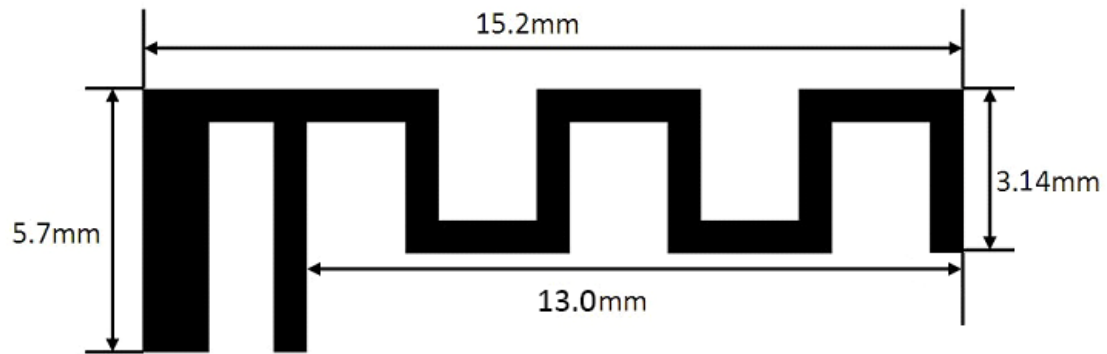


# Inverted F Antenna Specification

## Summary

ITEM	ANT SPEC					
Model Name	2.4G ANT					
Center Frequency	Horizontal			Vertical		
	2400MHz	2400MHz	2500MHz	2400MHz	2400MHz	2500MHz
	-1.26	-0.76	-0.58	-5.25	-2.46	-1.86
MAX. Gain	-0.58dB					
Polarization	Horizontal and Vertical					
Azimuth Beam Pattern	Omni-directional					
Impedance	50 Ohm					
Antenna Length	38.20mm					
Manufacture	IXTECH ELECTRONIC TECHNOLOGY CO., LIMITED					
Address	Room 1113, Building B IFE CENTER, No.660 Huangpu Avenue Central, Tianhe District, Guangzhou, China					

## Antenna Photo & Length (mm)



Horizontal: 2400 MHz 2450 MHz 2500 MHz

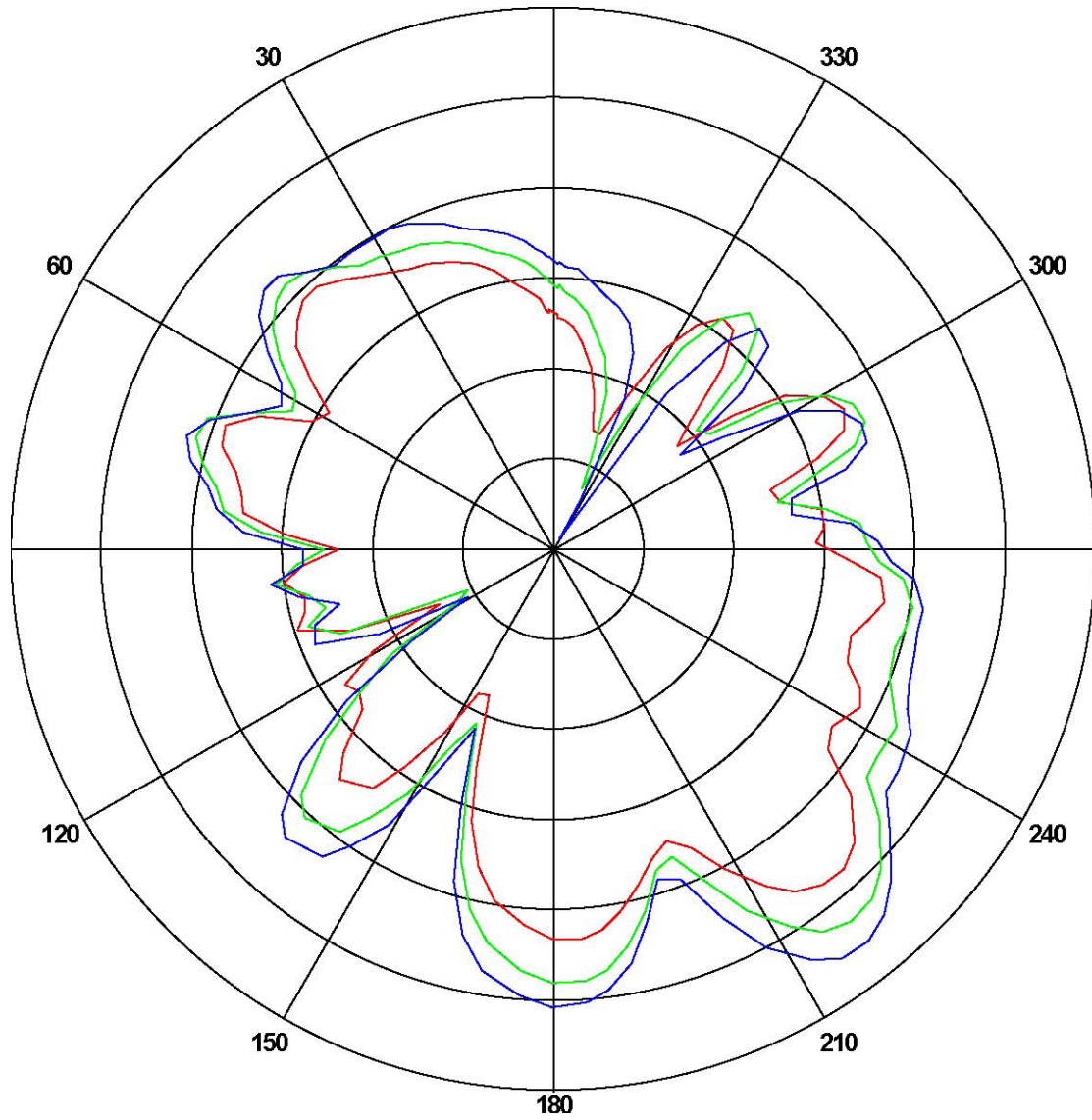
Power (dBm)

Max: 0 Min: -40 Scale: 5/div



Frequency (MHz)	Gain(dB)		
	Max	Min	Avg
2400	-1.26	-30.08	-7.18
2450	-0.76	-36.56	-7.48
2500	-0.58	-22.03	-6.59

Vertical: 2400 MHz 2450 MHz 2500 MHz  
 Power (dBm)  
 Max: 0 Min: -30 Scale: 5/div



Frequency (MHz)	Gain(dB)		
	Max	Min	Avg
2400	-5.25	-22.14	-12.42
2450	-2.46	-24.58	-10.47
2500	-1.86	-29.52	-9.20

ANT Test Labs: Attestation of Global Compliance Co., Ltd.