

**TRISPORT AG**

**TRISPORT**

Vorgabe Typenschild / Label Requirement

Produktsicherheit / Product Standard Compliance

Art	HOI CROSS
Art. No:	CT1061-400US
Bezeichnung / Identifier:	HOI CROSS STONE
Classification :	HB

Import

**Typenschild / Label :**

TRISPORT AG  
 Boesch 67  
 CH - 6331 Huenenberg  
 T: +41 (0)41 785 81 15  
 M:contact@trisport.ch  
**HOI CROSS**  
**A/N CT1061-400US**  
**S/N 12 18018 I05 001**  
**ISO 20957 HB**  
**Consumer Use only**

FCC ID: 2BB2MCT1061-400US

3V == 2x 1,5 V (UM3/R6)



**Made in China**  
 Max.242 lbs (110kg)

**Identity Label, silver, 50x70mm, text black**

for example

Serial -No.: 1218018 I05 001

Serial-No.,

12 = supplier code > 2 digits

18296 = PO Number > 5- 6 digits

I = year of production > 1 Digit

05 Production Week > 2 digits

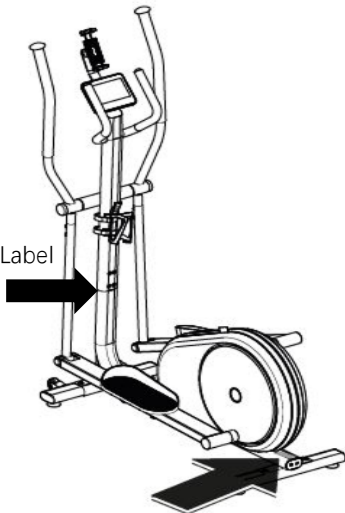
001 Running No each PO > 3 digits

E= 2020, F=2021, G=2022, H=2023,I=2024, .....

**Zusätzliche Aufkleber / additional Sticker:**

**Warning Label all Bikes**

**Label Position:**



Typenschild / Label

**CAUTION**

**! Caution**

Risk of Injury Person - To Avoid Injury use extrem caution when stepping onto or of a moving belt. Read instruction Manual before using

**! Warning**

- Keep children and pets away.
- Read and follow all warnings on the this machine.
- Refer to the Owner's Manual for additional warnings and safety information.
- The heart rate displayed is an approximation and should be used for reference only.
- Not intended for use by anyone under 14 years of age.

**FCC RF Exposure Warning Statement:**

This equipment complies with FCC radiation exposure limits set forth for an uncontrolled environment. This device complies with Part 15 of the FCC Rules. Operation is subject to the following two conditions:  
 (1) this device may not cause harmful interference, and  
 (2) this device must accept any interference received, including interference that may cause undesired operation.  
 This equipment shall be installed and operated with minimum distance 20cm between the radiator & body.

**Kommentare / remarks:**

Erstellt: 04/24

Ersteller: R.Splitt

# TRISPORT AG

# TRISPORT

Vorgabe Typenschild / Label Requirement

Produktsicherheit / Product Standard Compliance

Art	HOI CROSS
Art. No:	CT1061-900US
Bezeichnung / Identifier:	HOI CROSS Blueberry
Classification :	HB

Import

## Typenschild / Label :

TRISPORT AG  
Boesch 67  
CH - 6331 Huenenberg  
T: +41 (0)41 785 81 15  
M:contact@trisport.ch  
**HOI CROSS**  
**A/N CT1061-900US**  
**S/N 12 18018 105 001**  
**ISO 20957 HB**  
**Consumer Use only**

FCC ID: 2BB2MCT1061-400US

3V == 2x 1,5 V (UM3/R6)



**Made in China**  
Max.242 lbs (110kg)

**Identity Label, silver, 50x70mm,  
text black**

for example

Serial -No.: 1218018 105 001

Serial-No.,

12 = supplier code > 2 digits

18296 = PO Number > 5- 6 digits

I = year of production > 1 Digit

05 Production Week > 2 digits

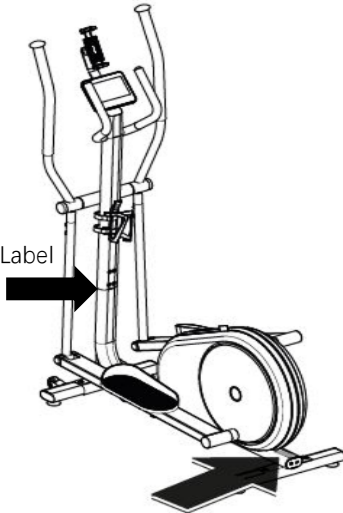
001 Running No each PO > 3 digits

E= 2020, F=2021, G=2022, H=2023,I=2024, .....

## Zusätzliche Aufkleber / additional Sticker:

### Warning Label all Bikes

#### Label Position:



Typenschild / Label

**CAUTION**

**! Caution**

Risk of Injury Person - To Avoid Injury use extrem caution when stepping onto or of a moving belt. Read instruction Manual before using

**! Warning**

- Keep children and pets away.
- Read and follow all warnings on the this machine.
- Refer to the Owner's Manual for additional warnings and safety information.
- The heart rate displayed is an approximation and should be used for reference only.
- Not intended for use by anyone under 14 years of age.

**FCC RF Exposure Warning Statement:**

This equipment complies with FCC radiation exposure limits set forth for an uncontrolled environment. This device complies with Part 15 of the FCC Rules. Operation is subject to the following two conditions:  
(1) this device may not cause harmful interference, and  
(2) this device must accept any interference received, including interference that may cause undesired operation. This equipment shall be installed and operated with minimum distance 20cm between the radiator & body.

## Kommentare / remarks:

Erstellt: 04/24

Ersteller: R.Splitt

Art	HOI Ride
Art. No:	HT1057-400US
Bezeichnung / Identifier:	HOI RIDE STONE
Classification :	HB

Import

**Typenschild / Label :**

TRISPORT AG  
 Boesch 67  
 CH - 6331 Huenenberg  
 T: +41 (0)41 785 81 15  
 M:contact@trisport.ch  
**HOI RIDE**  
**A/N HT1057-400US**  
**S/N 12 18018 I05 001**  
**ISO 20957 HB**  
**Consumer Use only**

FCC ID: 2BB2MCT1061-400US

3V == 2x 1,5 V (UM3/R6)



Made in China  
 Max.242 lbs (110kg)



**Identity Label, silver, 50x70mm,  
 text black**

for example

Serial -No.: 1218018 I05 001

Serial-No.,

12 = supplier code > 2 digits

18296 = PO Number > 5- 6 digits

I = year of production> 1 Digit

05 Production Week > 2 digits

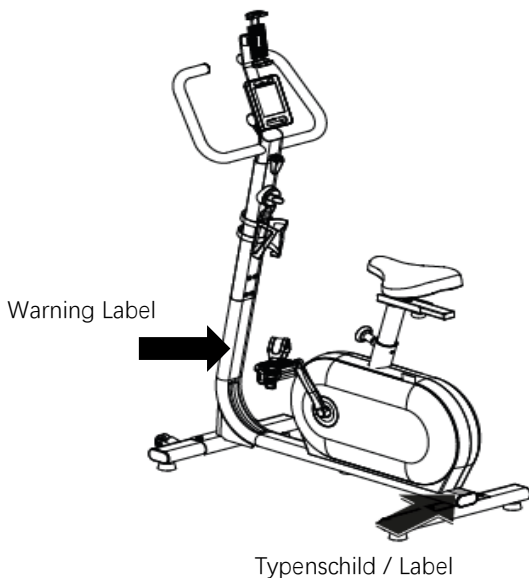
001 Running No ch PO > 3 digits

E= 2020, F=2021, G=2022, H=2023,I=2024, .....

**Zusätzliche Aufkleber / additional Sticker:**

**Warning Label all Bikes**

**Label Position:**



**CAUTION**

**! Caution**

Risk of Injury Person - To Avoid Injury use extrem caution when stepping onto or of a moving belt. Read instruction Manual before using

**! Warning**

- Keep children and pets away.
- Read and follow all warnings on the this machine.
- Refer to the Owner's Manual for additional warnings and safety information.
- The heart rate displayed is an approximation and should be used for refernce only.
- Not intended for use by anyone under 14 years of age.

**FCC RF Exposure Warning Statement:**

This equipment complies with FCC radiation exposure limits set forth for an uncontrolled environment. This device complies with Part 15 of the FCC Rules. Operation is subject to the following two conditions:  
 (1) this device may not cause harmful interference, and  
 (2) this device must accept any interference received, including interference that may cause undesired operation.  
 This equipment shall be installed and operated with minimum distance 20cm between the radiator & body.

**Kommentare / remarks:**

Erstellt: 04/24

Ersteller: R.Splitt

# TRISPORT AG

Vorgabe Typenschild / Label Requirement

Produktsicherheit / Product Standard Compliance

# TRISPORT

Art	HOI Ride
Art. No:	HT1057-900US
Bezeichnung / Identifier:	HOI RIDE Blueberry green
Classification :	HB

Import

## Typenschild / Label :

TRISPORT AG  
Boesch 67  
CH - 6331 Huenenberg  
T: +41 (0)41 785 81 15  
M:contact@trisport.ch  
**HOI RIDE**  
**A/N HT1057-900US**  
**S/N 12 18018 I05 001**  
**ISO 20957 HB**  
**Consumer Use only**

FCC ID: 2BB2MCT1061-400US

3V 2x 1.5 V (UM3/R6)



**Made in China**  
Max.242 lbs (110kg)

**Identity Label, silver, 50x70mm,  
text black**

for example

Serial -No.: 1218018 I05 001

Serial-No.,

12 = supplier code > 2 digits

18296 = PO Number > 5- 6 digits

I = year of production > 1 Digit

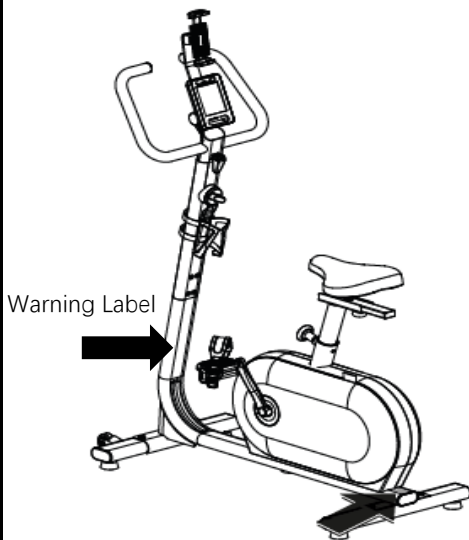
05 Production Week > 2 digits

001 Running No each PO > 3 digits

E= 2020, F=2021, G=2022, H=2023,I=2024, .....

## Zusätzliche Aufkleber / additional Sticker:

### Warning Label all Bikes



Typenschild / Label

**CAUTION**

**! Caution**

Risk of Injury Person - To Avoid Injury use extrem caution when stepping onto or of a moving belt. Read instruction Manual before using

**! Warning**

- Keep children and pets away.
- Read and follow all warnings on the this machine.
- Refer to the Owner's Manual for additional warnings and safety information.
- The heart rate displayed is an approximation and should be used for reference only.
- Not intended for use by anyone under 14 years of age.

**FCC RF Exposure Warning Statement:**

This equipment complies with FCC radiation exposure limits set forth for an uncontrolled environment. This device complies with Part 15 of the FCC Rules. Operation is subject to the following two conditions:  
(1) this device may not cause harmful interference, and  
(2) this device must accept any interference received, including interference that may cause undesired operation.  
This equipment shall be installed and operated with minimum distance 20cm between the radiator & body.

## Kommentare / remarks:

Erstellt: 04/24

Ersteller: R.Splitt