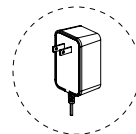
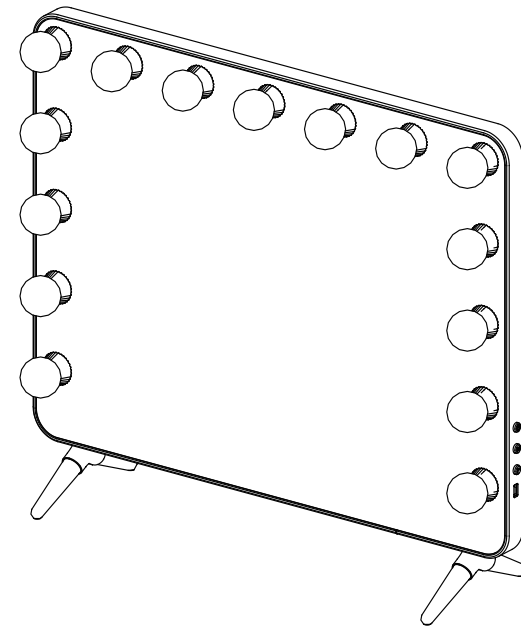


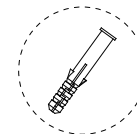


Hollywood Vanity Mirror

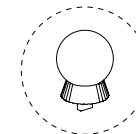
INSTALLATION MANUAL



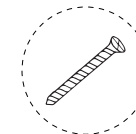
Plug



Wall Anchors



Extra Bulb



Screws

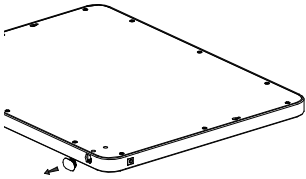


Phillips
Screwdriver

Installation Instructions: Free Standing

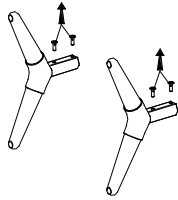
STEP 1

Take out 2 covers from the bottom.



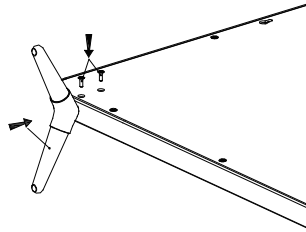
STEP 2

Take out 4 screws from the bases.



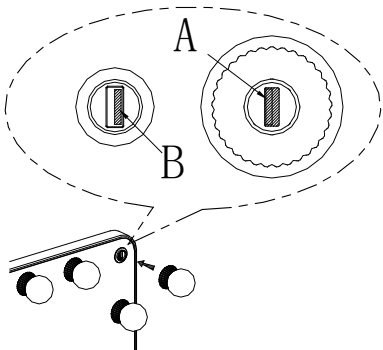
STEP 3

Install the two bases with the screws.



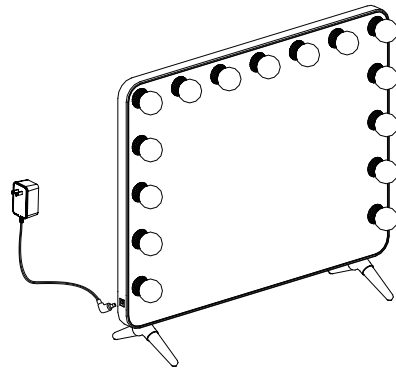
STEP 4

Plug LED bulbs into the USB ports on the mirror.



STEP 5

After installing all the bulbs, connect the adapter and turn the mirror on.



NOTE:

- 1 Please plug in all bulbs before powering on.
- 2 Please do not touch the bulb base directly after the mirror is on, in order to avoid possible electric shocks.
- 3 When a bulb needs to be removed, please turn off the mirror first, then hold it tightly and pull it out.
- 4 Do not plug other USB devices into any port on the mirror.
- 5 Do not install the bulb into the USB port of any other devices.

Changes or modifications not expressly approved by the party responsible for compliance could void the user's authority to operate the equipment. FCC Radiation Exposure Statement This device complies with FCC RF radiation exposure limits set forth for an uncontrolled environment. This transmitter must not be co-located or operating in conjunction with any other antenna or transmitter.



If you have any questions, please feel free to contact us on sales@keonjinn.com

FCC Statement

This device complies with Part 15 of the FCC rules. Operation is subject to the following two conditions:

1. This device may not cause interference.
2. This device must accept any interference, including interference that may cause undesired operation of the device.

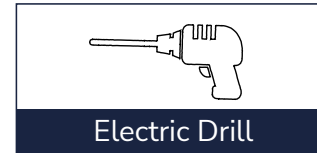
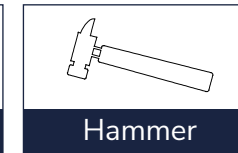
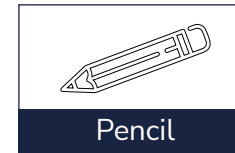
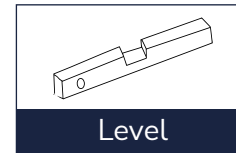
NOTE:

This equipment has been tested and found to comply with the limits for a Class B digital device, pursuant to part 15 of the FCC Rules. These limits are designed to provide reasonable protection against harmful interference in a residential installation. This equipment generates uses and can radiate radio frequency energy and, if not installed and used in accordance with the instructions, may cause harmful interference to radio communications. However, there is no guarantee that interference will not occur in particular installation. If this equipment does cause harmful interference to radio or television reception, which can be determined by turning the equipment off and on, the user is encouraged to try to correct the interference by one or more of the following measures:

- Reorient or relocate the receiving antenna.
 - Increase the separation between the equipment and receiver.
 - Connect the equipment into an outlet on a circuit different from that to which the receiver is connected.
 - Consult the dealer or an experienced radio/TV technician for help.
- This device must operate with a minimum distance of 20 cm between the radiator and user body.

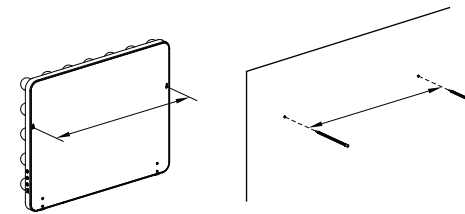
Installation Instructions: Wall-Mounted

TOOLS REQUIRED



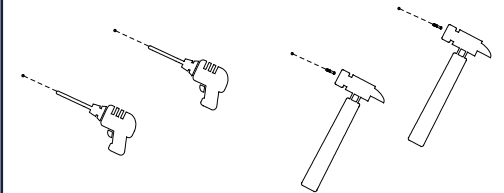
STEP 1

Measure the distance between two mounting holes, and draw a horizontal line of the same distance on the wall with a level, then mark the spots.



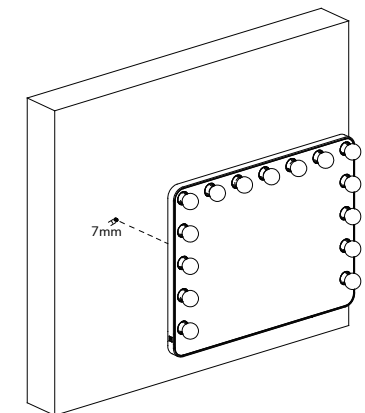
STEP 2

Drill holes at the marked spots and apply the wall anchors.



STEP 3

Slightly loosen the screws from the anchors, with a 7mm gap to the wall. Then mount the mirror and make sure it's hang firmly.



NOTE: If you want to attach the mirror to the wall, please put the covers back after you remove the bases.

How to Use

① ON / OFF

Press the button and the bulbs will be gradually lit up to avoid a sudden dazzling light.

② Color Temperature Selection

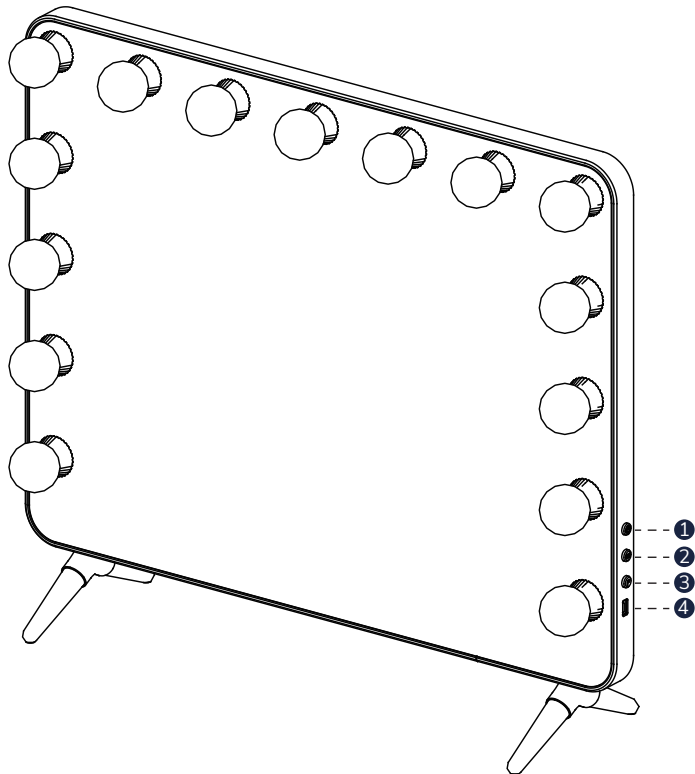
Press and select the color temperature of the bulb, with three options (warm, natural, cool) available.

③ Brightness Adjustment

Press to adjust the brightness of the bulb (five brightness levels to choose), or touch and hold it to switch the brightness.

④ USB Port

Connect and charge smart devices when there is no socket within reach.



Bluetooth Function

1. Turn on the mirror;

2. Connect "Vanity Mirror" through the mobile phone's bluetooth function;

3. Play the songs in your mobile phone.

Specifications

Product Mode	HZ-02A-6456-BT	HZ-02A-8166-BT
Material	Glass + Aluminium alloy	
Output Voltage	DC 12V (USB : 5V = 0.5A)	
Power	36W	
Color Temperature	3000K-6000K	
LED Bulbs	15+1	18+2
Product Size	64.5x18.8x56.3cm	81.5x18.8x66cm
Mirror Size	64.5x50.4cm	81.5x60cm
Bluetooth Standard	V5.4 BR/ERD+LE	
Operating Temperature	-10°C to+40°C	
Adapter Model	GA-0361203000	

* Adapter shall be installed near the equipment and shall be easily accessible.
The plug considered as disconnect device of adapter.