



QUICK START GUIDE

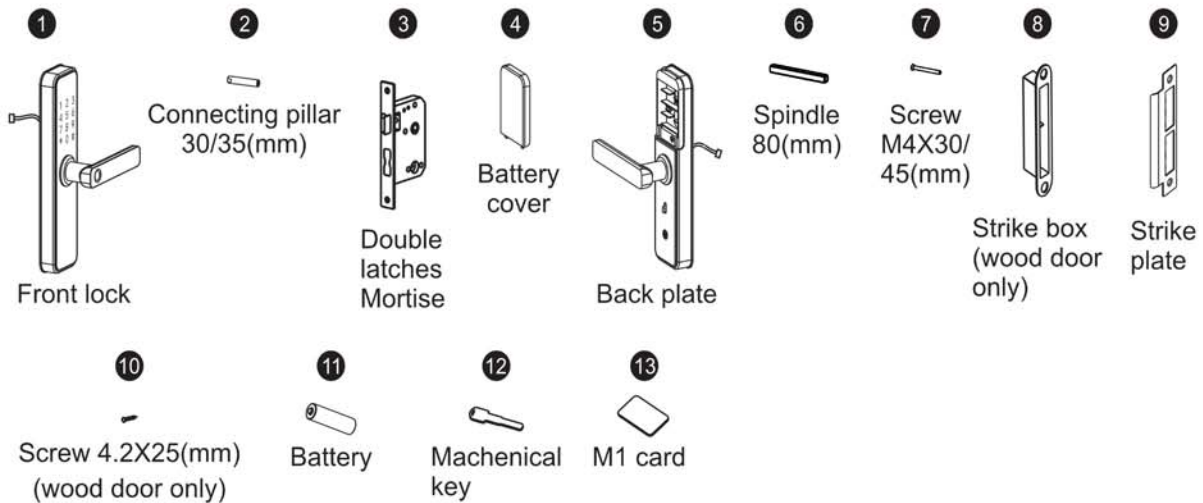
Smart Lock

Applicable Model: TD-X6-B



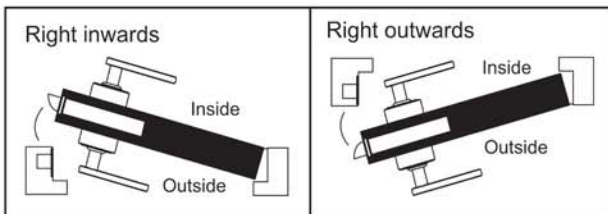
Installation guide of double latches mortise

1. Accessory

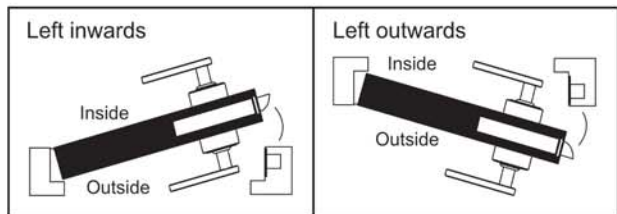


2. Door opening direction

① Right handle opening



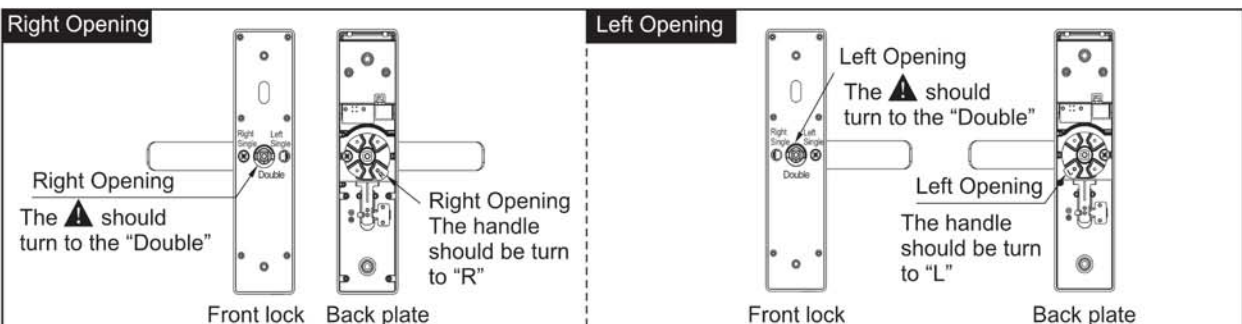
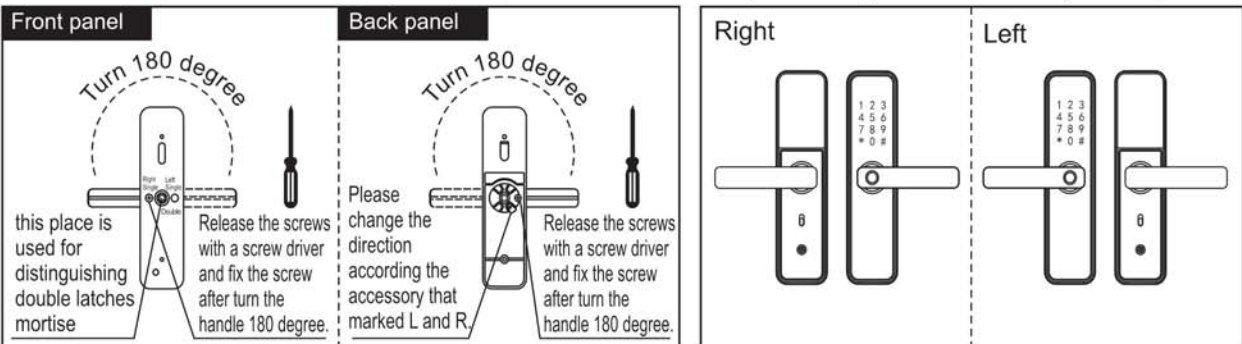
② Left handle opening



3. Shift the left and right

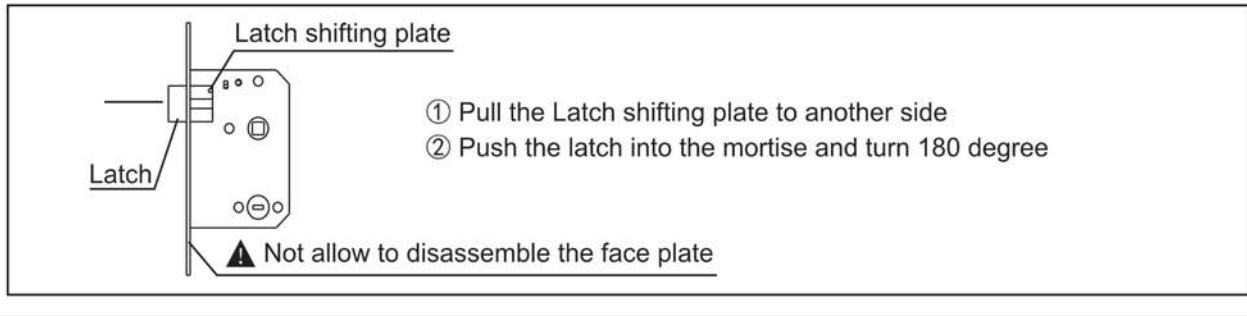
According to your needs to adjust the left and right by a screw driver to release screw, then turn the handle 180 degree, then fix the screw.

Note: Do not unscrew the screw in the handle hole, if there is broken when you do that, you will not have any warranty.



4. Adjust the mortise direction

According to the your need to adjust the mortise direction.



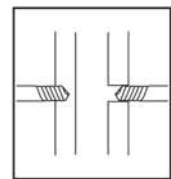
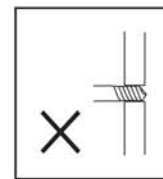
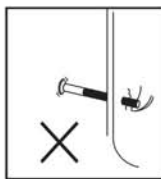
5. Accessories for sorts of door thickness

Available door thickness 35mm-55mm. If the door is over this range, please contact us for more information. Please select the correct accessories according to your door thickness.

Code and name	Specifications(mm)	door thickness ranges & QTY	
		35 ≤ M ≤ 40(mm)	41 ≤ M ≤ 55(mm)
⑥ Spindle 80(mm)	80	1	1
⑩ Screw 4.2X25(mm) (wood door only)	25 4.2	4	4
⑩ Screw M4X30/ 45(mm)	30 M4	1	
	45 M4	1	2
② Connecting pillar 30/35(mm)	30	1	
	35	1	2

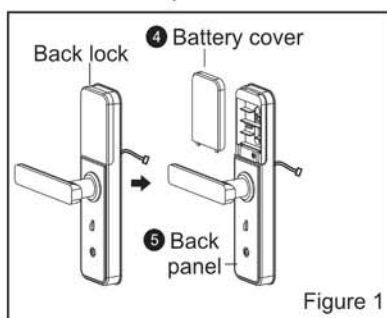
6. Caution before installation

- ① Do not be a strong force when installation, avoid to damaging the lock.
- ② Use correct installation tools.
- ③ Wear glass to protect your eyes when drilling holes.
- ④ Drilling the door holes on both side of the door avoiding to damaging the door plate.

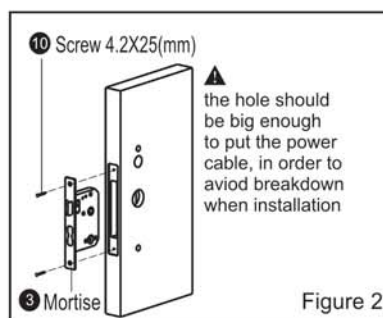


7. Installation

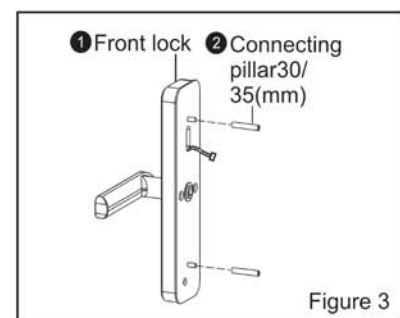
Installation steps:



- (1) As Figure 1:
① Divide the Back Lock into Battery cover and Back panel.



- (2) As Figure 2:
① Make the mortise cable get through the door plate, fix the mortise with 2 screws.



- (3) As Figure 3:
① Fix the two connecting pillars on the front panel

7. Installation

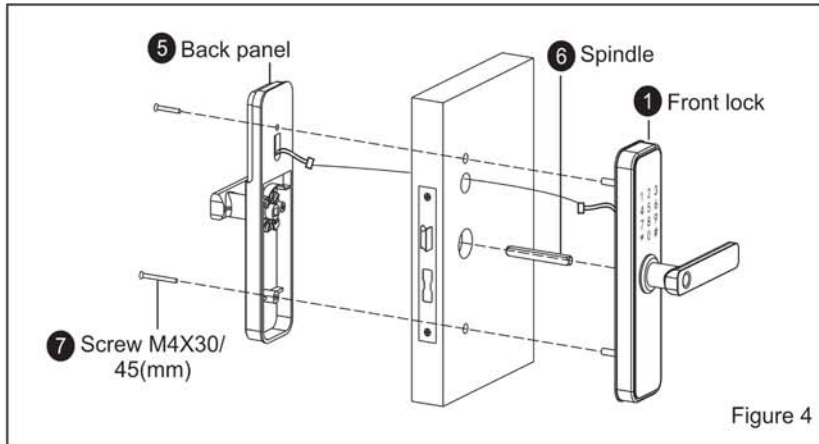


Figure 4

(4) As Figure 4:

- ① Put the spindle on the mortise.
- ② Make the front panel cable across to the door plate and connect to the back panel.
- ③ fix the front panel and back panel with two screws.

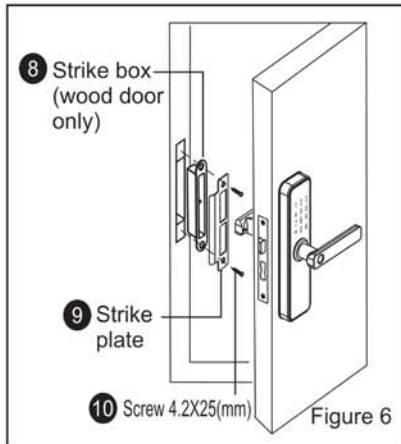


Figure 6

(6) As Figure 6:

- ① Install the strike box and strike plate on the door frame with 2 screws.
(Note: this no strike box for steel door frame)
- ② Test the lock if it works correctly.

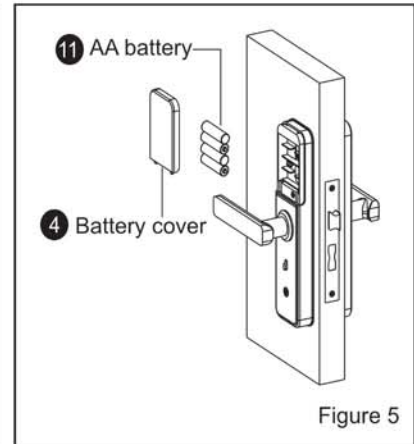


Figure 5

(5) As Figure 5:

- ① Put the Batteries correctly and fix the Battery cover.

8. Check points after installation

- ① The face plate is horizontal with the door.
- ② The Latch bolt, Dead bolt and Security Bolt must works smoothly and flexibly.
- ③ The Front lock is vertical and stable.

Intelligent lock(five in one) operation manual

1.Function and Operation

1.1 Description of terms and functional keys

1) Administrator information: refer to the Administrator's fingerprint, password or IC card.

Unlock information: refer to the input fingerprint, password ,Remote control or IC card information (including Administrator and ordinary users).

2) Key"*": clear key/back key. Enter the password or point by clearing the previous input.Press the clear key three times in succession, empty all input.

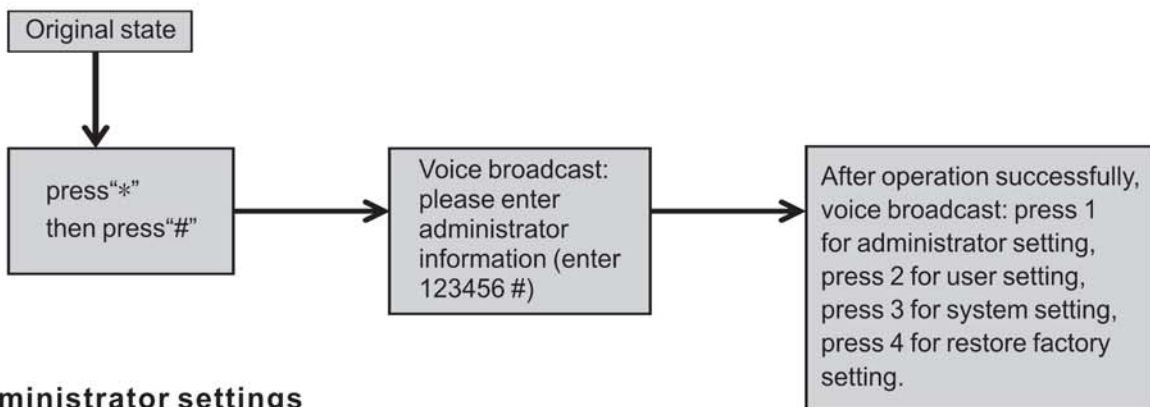
3) Key"#": confirmation key or menu function key.

2. Original state

1) The factory administrator or initial password is 123456, under the or initial state any fingerprint, IC card or password can open the lock.

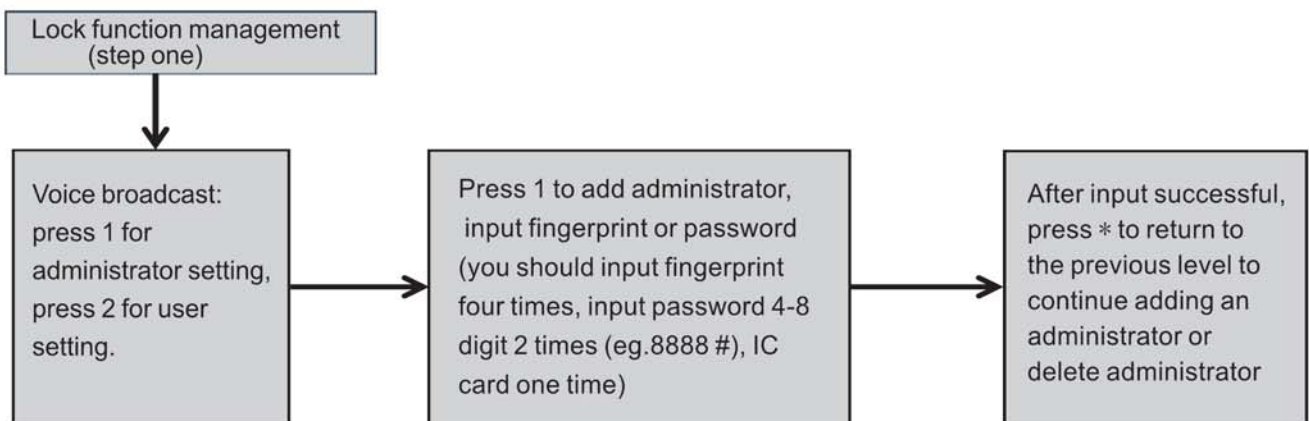
2) Any fingerprint, IC card ,or password which are not registered can't open the lock after inputting the administrator information.

3. Lock function management (step one)

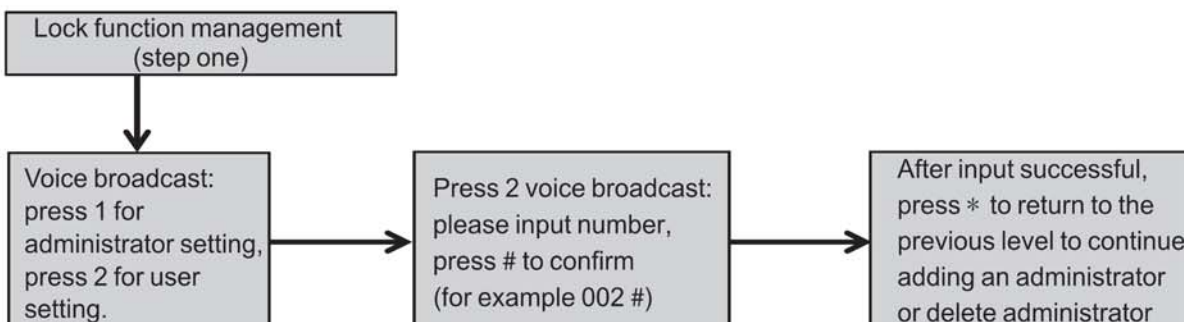


4. Administrator settings

1) Add administrator (step 2)

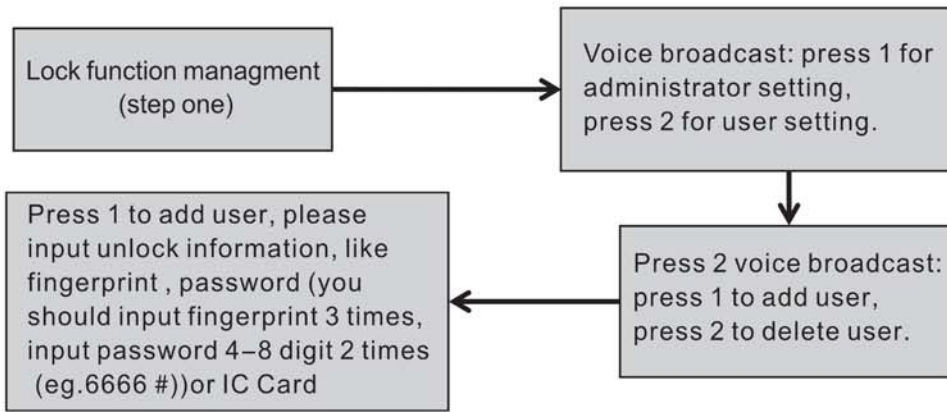


2) Delete administrator information

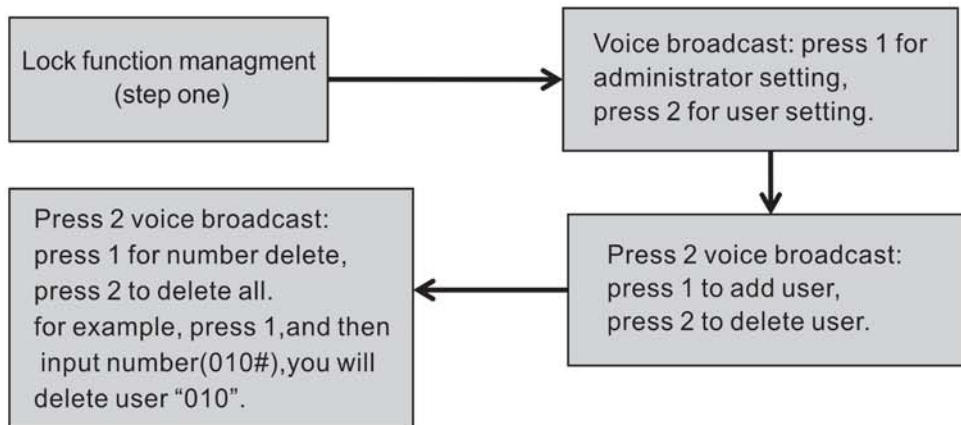


5. Common user setting

1) Add administrator information

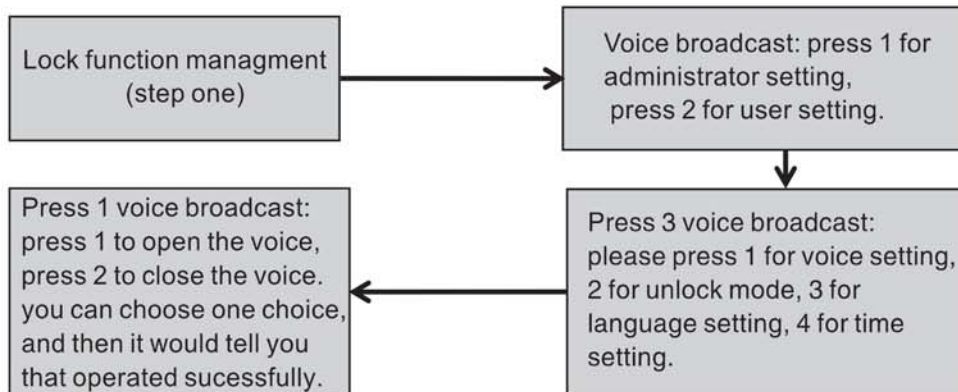


2) Delete user information

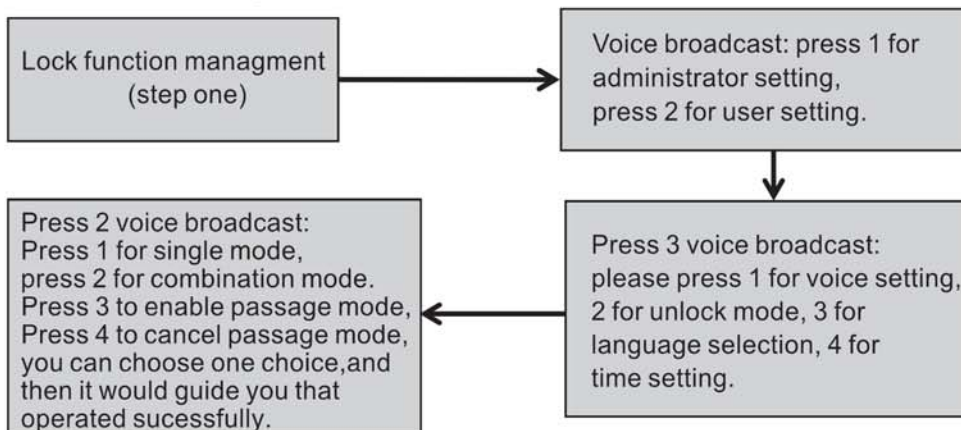


6. system setting

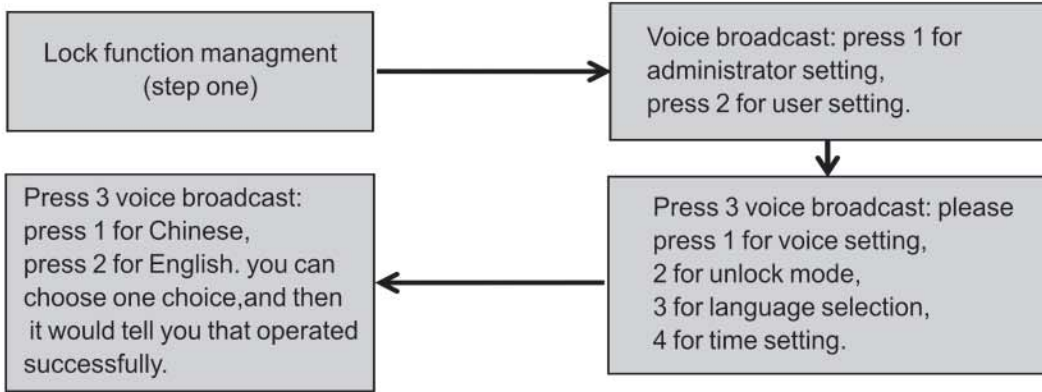
1) Voice setting



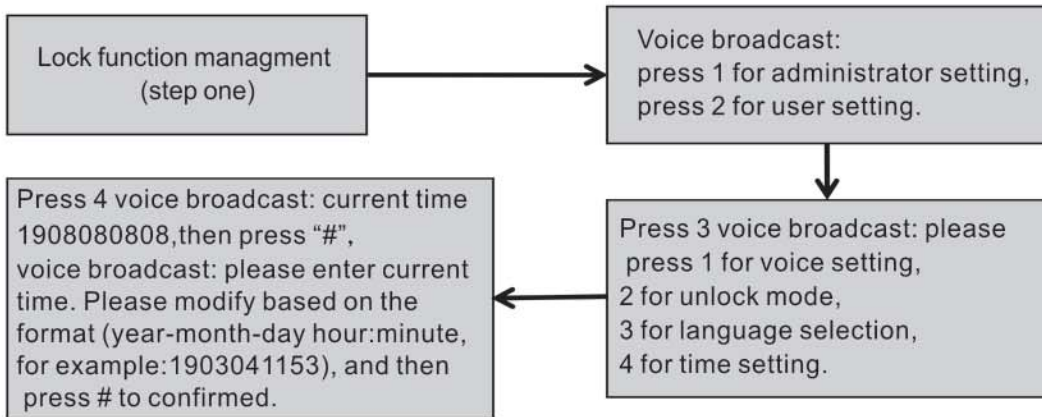
2) Unlock mode setting



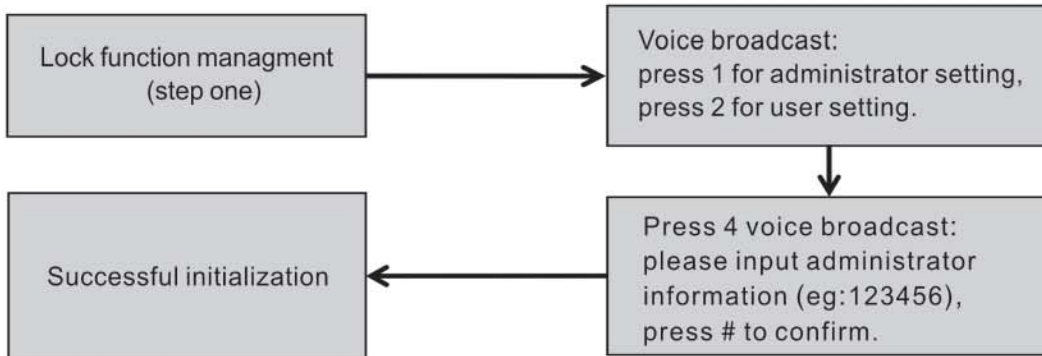
3) Language settings



4) Time setting



7. Restore factory settings



8. Other notes

- 1) Input the wrong password more than 5 times in a row, the keyboard locked for 30 seconds, it does not respond to any operations in 30 seconds.
- 2) Password peeping prevention function: input password as follows when opening the door with password: XXX password XXX; you can add some extraneous codes before and after the password, and then press # to confirm. The password must be included in the input contents.
- 3) If there is no operation more than 10 seconds, system will automatically exit.
- 4) After the voltage is lower than 4.6v, the lock will automatically alarm every time when it is opened. After the alarm, the lock can be opened for about 200 times.
- 5) Remove the battery cover, press the "Set" key for 6 seconds, the lock was restored to factory mode;
- 6) In factory mode, input "333666999#" can change the language quickly;
- 7) When unlocking, input "5#" to enter passage mode (One time effective);
- 8) When unlocking, input "*" to broadcast the user number;
- 9) When Electronic dead lock was opened, Only the administrator can open the lock

9. Technical Parameters

Technical Parameters			
	Items	Parameters	Memo
1	Static current	$\cong 50\mu\text{A}$	
2	Dynamic current	$\cong 180\text{mA}$	
3	Administrators number	9	
4	Fingerprint number	100	
5	Fingerprint + password + card capacity	200	
6	Fingerprint Sensor	Semiconductor	
7	Fingerprint contrast time	$\cong 0.6\text{Second}$	
8	Fingerprint identification Angle	360°	
9	False Rejection Rate	$\cong 0.1\%$	
10	False Recognition Rate	$\cong 0.0001\%$	
11	Reaction time	$\cong 0.1\text{ Second}$	
12	Power type	6V	
13	Emergency power	5VDC	
14	Working temperature	$-25^\circ\text{C} \sim 60^\circ\text{C}$	
15	Working Relative Humidity	$20\% \sim 90\% \text{RH}$	
16	Human voice	Yes	
17	Keyboard	Touch standard 12-bit keyboard	
18	Password Length	4-8 digits	
19	Phantom password	32 digits	
20	Low voltage alarm	$4.6 \pm 0.2\text{V}$	
21	Unlock time	$\cong 1\text{Second}$	

FCC Caution:

This device complies with part 15 of the FCC Rules. Operation is subject to the following two conditions: (1) This device may not cause harmful interference, and (2) this device must accept any interference received, including interference that may cause undesired operation.

Any Changes or modifications not expressly approved by the party responsible for compliance could void the user's authority to operate the equipment.

Note: This equipment has been tested and found to comply with the limits for a Class B digital device, pursuant to part 15 of the FCC Rules. These limits are designed to provide reasonable protection against harmful interference in a residential installation. This equipment generates uses and can radiate radio frequency energy and, if not installed and used in accordance with the instructions, may cause harmful interference to radio communications. However, there is no guarantee that interference will not occur in a particular installation. If this equipment does cause harmful interference to radio or television reception, which can be determined by turning the equipment off and on, the user is encouraged to try to correct the interference by one or more of the following measures:

- Reorient or relocate the receiving antenna.
- Increase the separation between the equipment and receiver.
- Connect the equipment into an outlet on a circuit different from that to which the receiver is connected.
- Consult the dealer or an experienced radio/TV technician for help.

This equipment complies with FCC radiation exposure limits set forth for an uncontrolled environment. This equipment should be installed and operated with minimum distance 20cm between the radiator & your body.



www.trudian.com/en/

HQ Add: Farbell Technology Park, Yixian Road, Nanlang,
Cuiheng New District, Zhongshan City, Guangdong Province,
China. Zip Code: 528451

Phone: +86 0760 - 23689666

E-mail: sales@trudian.com

If the problem is not solved properly, please send the mail to:
support@trudian.com