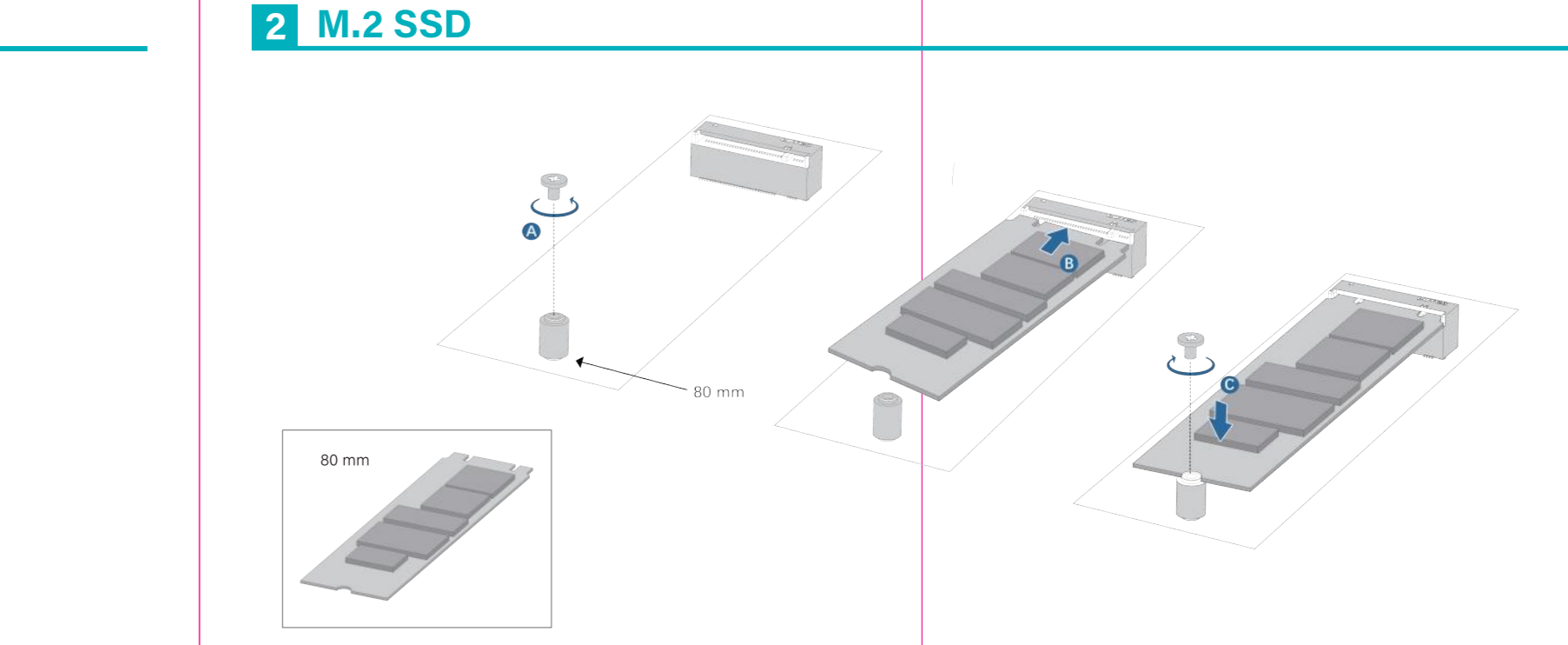
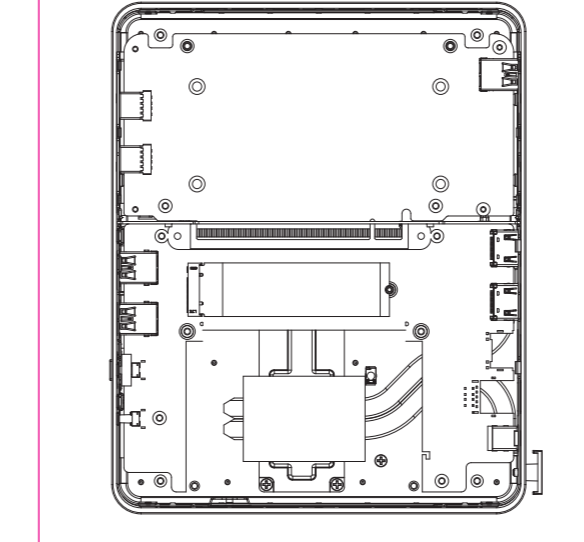
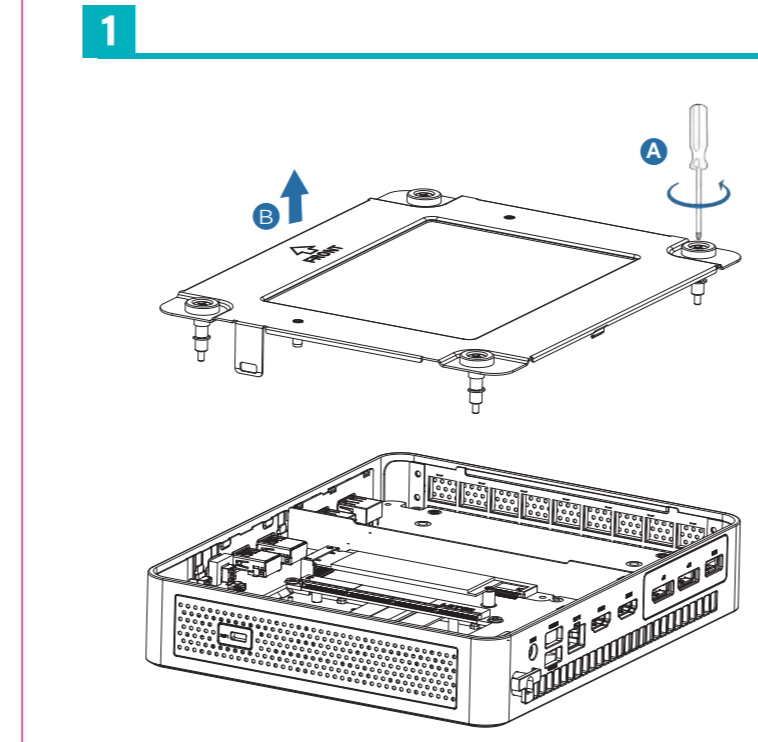
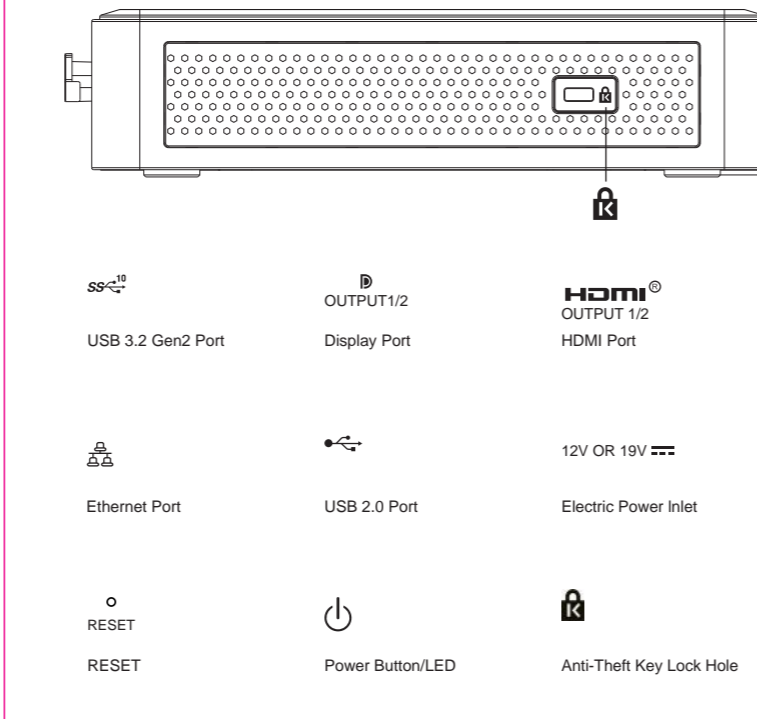
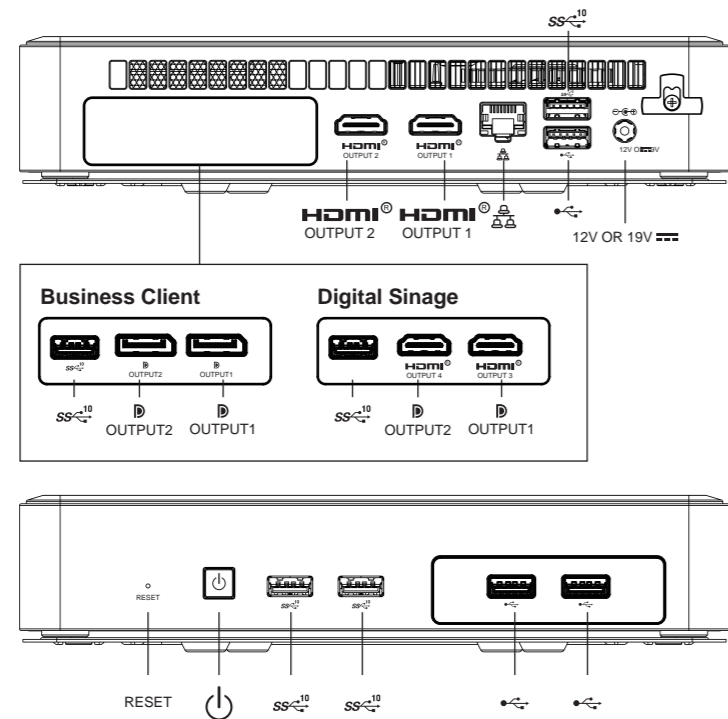
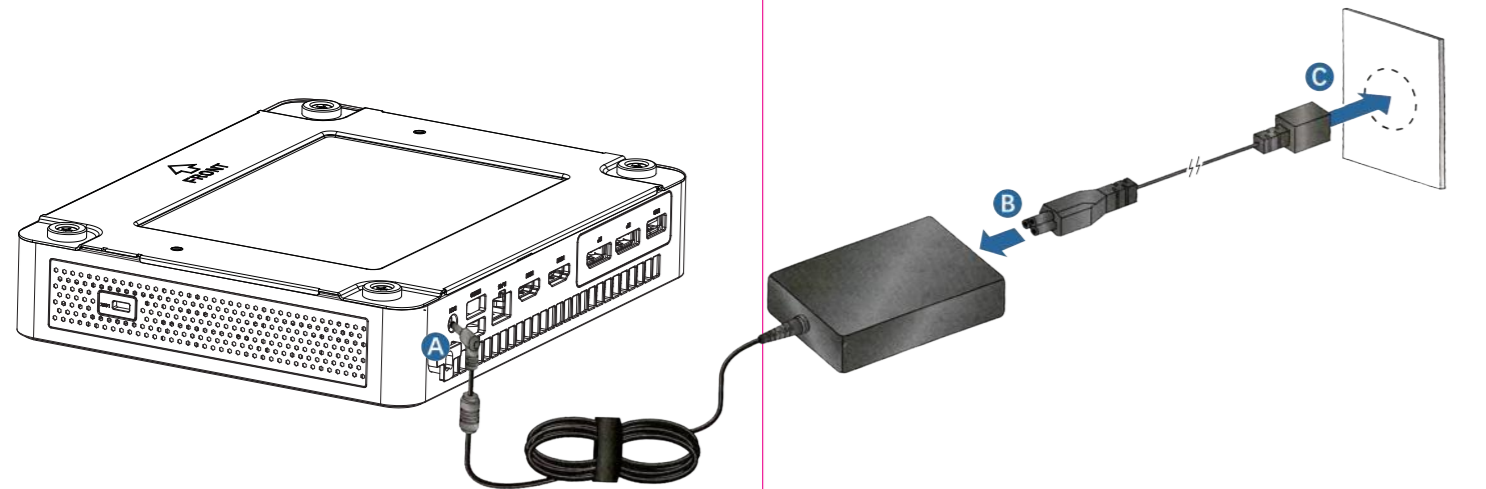




MPC43





Safety and Caution Information

AC Power Adapter: Risk of electric shock, fire, or burn if using an AC adapter other than the one provided with this device. Indoor use only and in dry locations. Device must only be repaired by a professional. Do not open enclosure. The adapter is rated for use between 0 °C and 35 °C (32 °F and 95 °F). Connect only to a properly wired and grounded outlet. 19V, 6.32A, 120W

Risk of explosion if the battery is replaced with an incorrect type. Batteries should be recycled where possible. Disposal of used batteries must be in accordance with local environmental regulations.

Failure to use the included power adapter shall violate regulatory compliance requirements and may expose the user to safety hazards.

Temperature: This device is intended for use in ambient temperatures between 0°C and 35°C (32°F and 95°F). Avoid using or storing next to heat sources, in direct sunlight, or outside the intended temperature ranges.

Medical: This device may interfere with the operation of some pacemakers, hearing aids or other medical devices. To reduce the risk, maintain a separation distance of 20 cm (8 inches) between the device and the medical device. Refer to the medical device for additional information.

Modify: Modification of the wireless solution, thermal solution, device components or enclosure shall violate regulatory compliance requirements and may induce safety hazards.

Hereby, Shenzhen MADIGI Electronic Technology Co., Ltd declare that the radio equipment type Mini PC is compliance with Directive 2014/53/EU.



Technology	Frequency MHz		RF Power
	From	To	
WLAN	2412	2472	19.7dBm
Bluetooth BR/EDR	2402	2480	13.1dBm
Bluetooth BLE	2402	2480	10.0dBm
RLAN	5150	5250	23.0dBm
RLAN	5250	5350	23.0dBm
RLAN	5470	5725	23.0dBm
SRD	5745	5825	13.9dBm
6GHz RLAN	5945	6425	22.97dBm

FCC Caution:

NOTE: This equipment has been tested and found to comply with the limits for a Class B digital device, pursuant to part 15 of the FCC Rules. These limits are designed to provide reasonable protection against harmful interference in a residential installation. This equipment generates, uses and can radiate radio frequency energy and, if not installed and used in accordance with the instructions, may cause harmful interference to radio communications. However, there is no guarantee that interference will not occur in a particular installation. If this equipment does cause harmful interference to radio or television reception, which can be determined by turning the equipment off and on, the user is encouraged to try to correct the interference by one or more of the following measures:

- Reorient or relocate the receiving antenna.
- Increase the separation between the equipment and receiver.
- Connect the equipment into an outlet on a circuit different from that to which the receiver is connected.
- Consult the dealer or an experienced radio/TV technician for help.

Changes or modifications not expressly approved by the party responsible for compliance could void the user's authority to operate the equipment.

This device complies with Part 15 of the FCC Rules. Operation is subject to the following two conditions:
(1) this device may not cause harmful interference, and (2) this device must accept any interference received, including interference that may cause undesired operation.

FCC RF Exposure Warning Statements:

This equipment complies with FCC radiation exposure limits set forth for an uncontrolled environment. This equipment shall be installed and operated with minimum distance 20cm between the radiator & body.

The frequency stability of all transmission frequencies of U-NII-1, U-NII-2A, U-NII-2C ,U-NII -3, U-NII 5, U-NII 6, U-NII 7 and U-NII 8 meets the 47 CFR FCC Part15.407(g) requirements, and the manufacturer states that their transmissions remain within the U-NII-1, U-NII-2A, U-NII-2C ,U-NII -3, U-NII 5, U-NII 6, U-NII 7 and U-NII 8 bands.

Connect to a Network:

- 1.Click the network icon in the notification area in Windows. A list of available wireless networks will be shown.
- 2.Select the desired network,input the information (if needed).