

F16

车载三合一无线充

产品使用指南

感谢您购买及使用本三合一无线充电产品！
 这是一款车载三合一无线充电支架，可以同时给手机、耳机、苹果手表三个设备进行无线充电，告别有线束缚，开启无线体验。为了给您带来更好的使用体验，在使用本产品前请仔细阅读本说明书，并请妥善保存，以便日后参考。

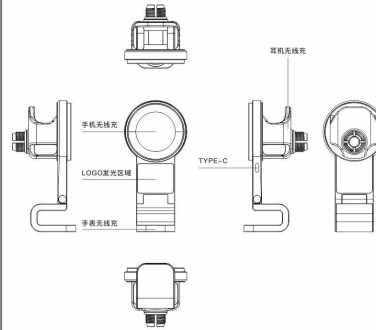
产品基本参数

产品名称	车载三合一无线充
产品型号	F16
产品尺寸	136.6MM*65MM*66MM
有效传输距离	≤8mm
输入电压	9V/2.5A
材料	ABS+PC
输出功率	15W/5W/2.5W
充电频率	110.2 KHz-350KHz
充电接口	TYPE-C
包装清单	三合一无线充*1
	车载出口风口夹子*1
	说明书*1，数据线*1

产品使用说明

- 1.使用时将本三合一无线充电设备连接适配的电源数据线。
- 2.每一次连接电源后，本无线充电设备会回归初始状态。
- 3.本产品通过磁感应方式实现短距离的无线电能传输，凡符合Qi标准协议的电子设备均可以使用本无线充电设备进行充电。
- 4.手机/耳机/苹果手表等设备需要充电时，放在我们的产品面板上相应位置即可实现无线充电(手机/耳机/苹果手表等设备本身需要支持无线充电)。

产品外观



产品注意事项

- 1.建议搭配5V或9V电压QC3.0快充插头，这样具有更好的充电性能。
- 2.该产品支持QC和PD协议。
- 3.温度越低，充电速度越快，冬季充电速度快于夏季。
- 4.请不要在炎热潮湿的环境中充电，以免损坏电路，发生危险。
- 5.请把它放在远离孩子的地方，以免发生不必要的事故。

产品保修卡

型号:	
购买日期:	
用户:	
购买商号:	
生产批号:	
姓名:	
地址:	
电话:	

尊敬的用户:

感谢您购买本产品，为了确保您获得可靠的售后服务，请认真阅读以下说明：

本证所保证的产品是本公司或指定分销商所销售的，在本证书中所登记的产品，本证书的各项内容必须如实填写完整，否则视为无效三包凭证，产品信息中所登记的产品生产批号必须保证与产品的实际批号一致，本证书为三包服务的首要凭证，请妥善保管，遗失不补，当客户需要技术支持服务时，请出示此证书，我们将按规定为您提供优质专业的服务。



感谢您对本产品的使用！

FCC Warning Statement

Changes or modifications not expressly approved by the party responsible for compliance could void the user's authority to operate the equipment. This equipment has been tested and found to comply with the limits for a Class B digital device, pursuant to Part 15 of the FCC Rules. These limits are designed to provide reasonable protection against harmful interference in a residential installation. This equipment generates uses and can radiate radio frequency energy and, if not installed and used in accordance with the instructions, may cause harmful interference to radio communications. However, there is no guarantee that interference will not occur in a particular installation. If this equipment does cause harmful interference to radio or television reception, which can be determined by turning the equipment off and on, the user is encouraged to try to correct the interference by one or more of the following measures:

- Reorient or relocate the receiving antenna.
- Increase the separation between the equipment and receiver.
- Connect the equipment into an outlet on a circuit different from that to which the receiver is connected.
- Consult the dealer or an experienced radio/TV technician for help.

FCC Radiation Exposure Statement

The antennas used for this transmitter must be installed to provide a separation distance of at least 20 cm from all persons and must not be co-located for operating in conjunction with any other antenna or transmitter.

This device complies with Part 15 of the FCC Rules.Operation is subject to the following two conditions;

- (1) This device may not cause harmful interference,and
- (2) This device must accept any interference received,including interference that may cause undesired operation.

F16

3-in-1 Car Wireless Charging

Product Usage Guide

Thank you for purchasing and using this 3-in-1 wireless charging product! This is a three in one wireless charging stand for cars, which can simultaneously charge three devices including mobile phones, headphones, and Apple watches wirelessly, bidding farewell to wired constraints and enabling a wireless experience. In order to provide you with a better user experience, please carefully read this manual before using this product and keep it properly for future reference.

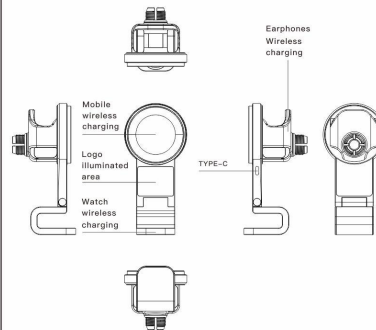
Basic product parameters

Product Name	3-in-1 Car Wireless Charging
Product model	F16
Product model	136.6MM*65MM*66MM
Effective distance	≤8mm
Input voltage	9V/2.5A
Material Science	ABS+PC
Output power	15W/5W/2.5W
Charging frequency	110.2 KHz-350KHz
Charging interface	TYPE-C
Packaging List	3-in-1 wireless charging*1
	Car air outlet clip*1
	Manual*1, Data line*1

Product Instructions

1. When using, connect the 3-in-1 wireless charging device to the compatible power and data cable.
2. After each power connection, this wireless charging device will return to its initial state.
3. This product achieves short-range wireless power transmission through magnetic induction, and meets the Qi standard.Electronic devices that meet the protocol can be charged using this wireless charging device.When devices such as mobile phones/headphones/Apple watches need to be charged, they can be placed in the corresponding position on our product panel to achieve wireless charging (devices such as mobile phones/head phones/Apple watches themselves need to support wireless charging).

Product appearance



Product precautions

1. It is recommended to pair it with a 5V or 9V QC3.0 fast charging plug for better charging performance.
2. This product supports QC and PD protocols.
3. The lower the temperature, the faster the charging speed, and the charging speed is faster in winter than in summer.
4. Please do not charge in hot and humid environments to avoid damaging the circuit and causing danger.
5. Please keep it away from children to avoid unnecessary accidents.

Product warranty card

Model:	
Purchase date:	
User:	
Buyer's name:	
Production batch number:	
Name:	
Address:	
Phone:	

Dear User:

Thank you for purchasing this product. To ensure reliable after-sales service, please carefully read the following instructions: The products guaranteed by this certificate are sold by our company or designated distributors. The products registered in this certificate must be truthfully and completely filled in. Otherwise, it will be considered invalid as a three guarantee certificate. The production batch number registered in the product information must be consistent with the actual batch number of the product. This certificate is the primary proof of three guarantee services. Please keep it properly and do not make up for lost products. When customers need technical support services, please present this certificate, and we will provide you with high-quality and professional services according to regulations.



Thank You For Using This Product

FCC Warning Statement

Changes or modifications not expressly approved by the party responsible for compliance could void the user's authority to operate the equipment. This equipment has been tested and found to comply with the limits for a Class B digital device, pursuant to Part 15 of the FCC Rules. These limits are designed to provide reasonable protection against harmful interference in a residential installation. This equipment generates uses and can radiate radio frequency energy and, if not installed and used in accordance with the instructions, may cause harmful interference to radio communications. However, there is no guarantee that interference will not occur in a particular installation. If this equipment does cause harmful interference to radio or television reception, which can be determined by turning the equipment off and on, the user is encouraged to try to correct the interference by one or more of the following measures:

- Reorient or relocate the receiving antenna.
- Increase the separation between the equipment and receiver.
- Connect the equipment into an outlet on a circuit different from that to which the receiver is connected.
- Consult the dealer or an experienced radio/TV technician for help.

FCC Radiation Exposure Statement

The antennas used for this transmitter must be installed to provide a separation distance of at least 20 cm from all persons and must not be co-located for operating in conjunction with any other antenna or transmitter.

This device complies with Part 15 of the FCC Rules.Operation is subject to the following two conditions;

- (1) This device may not cause harmful interference,and
- (2) This device must accept any interference received,including interference that may cause undesired operation.