

# **FCC RADIO TEST REPORT**

**FCC ID: 2BAWSRDL-NA**

**Sample :** Dride4K

**Trade Name :** N/A

**Main Model :** DR4K1-RDL-NA

**Additional Model :** N/A

**Report No. :** 23032013ER-66

## **Prepared for**

Dride Technology LTD

Eliyahu Eitan 1, Rishon Letzion, Israel

## **Prepared by**

Global United Technology Services Co. Ltd.

No. 123-128, Tower A, Jinyuan Business Building, No.2, Laodong Industrial Zone, Xixiang Road, Baoan District, Shenzhen, Guangdong, China 518102

### TEST RESULT CERTIFICATION

**Applicant**.....: Dride Technology LTD  
 Address.....: Eliyahu Eitan 1, Rishon Letzion, Israel  
**Manufacturer**.....: Dride Technology LTD  
 Address.....: Eliyahu Eitan 1, Rishon Letzion, Israel

**Product description**

Product.....: Dride4K  
 Trade Name.....: N/A  
 Model Name.....: DR4K1-RDL-NA  
   FCC Part 2 Rules  
   FCC Part 22 Rules  
**Test Methods**.....: FCC Part 24 Rules  
   FCC Part 27 Rules  
   FCC Part 90 Rules

This device described above has been tested by Global United Technology Services Co. Ltd., and the test results show that the equipment under test (EUT) is in compliance with the FCC requirements. And it is applicable only to the tested sample identified in the report.

This report shall not be reproduced except in full, without the written approval, this document may be altered or revised by Global United Technology Services Co. Ltd., personnel only, and shall be noted in the revision of the document.

**Date of Test** .....:   
 Date (s) of performance of tests .....: Mar. 20, 2023 ~ May. 16, 2023  
 Date of Issue.....: Jul. 13, 2023  
 Test Result .....: Pass

**Prepared By:**



**Date:**

2023-7-13

**Project Engineer**

**Check By:**



**Date:**

2023-7-13

**Reviewer**

<b>Table of Contents</b>	<b>Page</b>
1 TEST SUMMARY	5
1.1 TEST PROCEDURES AND RESULTS	5
1.2 TEST FACILITY	6
1.3 MEASUREMENT UNCERTAINTY	7
1.4 ENVIRONMENTAL CONDITIONS	7
2 GENERAL INFORMATION	8
2.1 GENERAL DESCRIPTION OF EUT	8
2.2 DESCRIPTION OF TEST MODES AND TEST FREQUENCY	10
2.3 DESCRIPTION OF THE TEST MODES	14
2.4 TEST SETUP	14
2.5 DESCRIPTION TEST PERIPHERAL AND EUT PERIPHERAL	14
2.6 MEASUREMENT INSTRUMENTS LIST	15
3 ERP AND EIRP	16
3.1 LIMIT	16
3.2 TEST CONFIGURATION	16
3.3 TEST PROCEDURE	18
3.4 TEST RESULT	19
4 PEAK-TO-AVERAGE POWER RATIO	20
4.1 PROVISIONS APPLICABLE	20
4.2 MEASUREMENT METHOD	20
4.3 MEASUREMENT SETUP	21
4.4 TEST RESULT	21
5 OCCUPY BANDWIDTH	22
5.1 PROVISIONS APPLICABLE	22
5.2 MEASUREMENT METHOD	22
5.3 MEASUREMENT SETUP	22
5.4 TEST RESULT	23
6 MODULATION CHARACTERISTIC	24
7 OUT OF BAND EMISSION AT ANTENNA TERMINALS	25
7.1 PROVISIONS APPLICABLE	25
7.2 MEASUREMENT METHOD	25
7.3 MEASUREMENT SETUP	26
7.4 TEST RESULT	26
8 FIELD STRENGTH OF SPURIOUS RADIATION MEASUREMENT	27

<b>Table of Contents</b>	<b>Page</b>
8.1 PROVISIONS APPLICABLE	27
8.2 MEASUREMENT PROCEDURE	27
8.3 MEASUREMENT SETUP	29
8.4 TEST RESULT	29
9 FREQUENCY STABILITY V.S. TEMPERATURE MEASUREMENT	40
9.1 PROVISIONS APPLICABLE	40
9.2 MEASUREMENT METHOD	40
9.3 MEASUREMENT SETUP	41
9.4 TEST RESULT	42
10 FREQUENCY STABILITY V.S. VOLTAGE MEASUREMENT	58
10.1 MEASUREMENT SETUP	58
10.2 TEST PROCEDURE	58
10.3 TEST RESULT	58
11 BAND EDGE	59
11.1 MEASUREMENT OVERVIEW	59
11.2 MEASUREMENT METHOD	59
11.3 MEASUREMENT METHOD	60
11.4 TEST RESULT	60
12 PHOTO OF TEST	61

## 1 TEST SUMMARY

### 1.1 TEST PROCEDURES AND RESULTS

The tests were performed according to following standards:

**FCC Part 22** Public Mobile Services.

**FCC Part 24** Personal Communications Services.

**FCC Part 27** Miscellaneous Wireless Communications Services.

**FCC Part 90** Private Land Mobile Radio Services

**FCC Part 2** Frequency allocations and radio treaty matters, general rules and regulations.

**TIA/EIA 603 E: March 2016** Land Mobile FM or PM Communications Equipment Measurement and Performance Standards.

**ANSI-C63.26:2015** American National Standard for Compliance Testing of Transmitters Used in Licensed Radio Services

**KDB971168 D01 v03r01** Measurement Guidance For Certification Of Licensed Digital Transmitters

DESCRIPTION OF TEST	STANDARD	RESULT
Occupied Bandwidth	§2.1049	Pass
Band Edge / Spurious and Harmonic Emissions at Antenna Terminal	§2.1051, §22.917(a), §90.543(e), §22.917(a)§27.53(g), §27.53(c) §27.53(h) §24.238(a)	Pass
On all frequencies between 763-775 MHz and 793-805 MHz	§27.53(c)(4)	Pass*
On all frequencies between 769-775 MHz and 799-805 MHz	§90.543(e)	Pass*
Conducted Output Power	§2.1046	Pass
Frequency stability / variation of ambient temperature	§2.1055, §90.539(e), §22.355, §27.54§24.235	Pass
Peak- to- Average Ratio	27.50(d)(5) §24.232(d)	Pass
Effective Radiated Power Equivalent Isotropic Radiated Power	§90.542(a)(7), §22.913(a)(5), §27.50(c)(10) §27.50(b), 27.50(d)(4), §24.232(c)	Pass
Radiated Spurious and Harmonic Emissions	§2.1053, §90.543(e), §22.917(a), §27.53(g) §27.53(c), §27.53(h), §24.238(a)	Pass
Undesirable Emissions in the 1559-1610 MHz band	§2.1053, §90.543(f), 27.53(f)	Pass

**Note:**\*Since it was not possible to set the resolution bandwidth to 6.25 kHz with the available equipment, a bandwidth of 10kHz was used instead to show compliance.

## 1.2 TEST FACILITY

Test Firm : Global United Technology Services Co. Ltd.  
Address : No. 123-128, Tower A, Jinyuan Business Building, No.2, Laodong Industrial Zone, Xixiang Road, Baoan District, Shenzhen, Guangdong, China 518102

The test facility is recognized, certified, or accredited by the following organizations:

- **FCC—Registration No.: 381383**

Designation Number: CN5029

Global United Technology Services Co. Ltd., Shenzhen EMC Laboratory has been registered and fully described in a report filed with the (FCC) Federal Communications Commission. The acceptance letter from the FCC is maintained in files.

- **IC —Registration No.: 9079A**

CAB identifier: CN0091

The 3m Semi-anechoic chamber of Global United Technology Services Co. Ltd. has been registered by Certification and Engineering Bureau of Industry Canada for radio equipment testing.

- **NVLAP (LAB CODE: 600179-0)**

Global United Technology Services Co. Ltd., is accredited by the National Voluntary Laboratory Accreditation Program (NVLAP).

### 1.3 MEASUREMENT UNCERTAINTY

The reported uncertainty of measurement  $y \pm U$ , where expanded uncertainty  $U$  is based on a standard uncertainty multiplied by a coverage factor of  $k=2$ , providing a level of confidence of approximately 95 %.

#### A. Conducted Measurement:

Test Site	Method	Measurement Frequency Range	U, (dB)
UNI	ANSI	9kHz ~ 150kHz	2.96
		150kHz ~ 30MHz	2.44

#### B. Radiated Measurement:

Test Site	Method	Measurement Frequency Range	U, (dB)
UNI	ANSI	9kHz ~ 30MHz	2.50
		30MHz ~ 1000MHz	4.80
		Above 1000MHz	4.13

#### C. RF Conducted Method:

Item	Measurement Uncertainty
Uncertainty of total RF power, conducted	$U_c = \pm 0.8$ dB
Uncertainty of RF power density, conducted	$U_c = \pm 2.6$ dB
Uncertainty of spurious emissions, conducted	$U_c = \pm 2$ %
Uncertainty of Occupied Channel Bandwidth	$U_c = \pm 2$ %

### 1.4 ENVIRONMENTAL CONDITIONS

During the measurement the environmental conditions were within the listed ranges:

Temperature:	15~35 °C
Relative Humidity:	30~60 %
Air Pressure:	950~1050 hPa

## 2 GENERAL INFORMATION

### 2.1 GENERAL DESCRIPTION OF EUT

Product	Dride4K			
Trade Name	N/A			
Main Model	DR4K1-RDL-NA			
Additional Model	N/A			
Model Difference	N/A			
FCC ID	2BAWSRDL-NA			
Antenna Type	Internal Antenna			
Frequency Bands	<input checked="" type="checkbox"/> FDD Band 2 <input checked="" type="checkbox"/> FDD Band 13	<input checked="" type="checkbox"/> FDD Band 4 <input checked="" type="checkbox"/> FDD Band 14	<input checked="" type="checkbox"/> FDD Band 5 <input checked="" type="checkbox"/> TDD Band 66	<input checked="" type="checkbox"/> FDD Band 12 <input checked="" type="checkbox"/> FDD Band 71
Transmission Frequency Range	<b>LTE-Band 2</b>	1850.7 MHz – 1914.3 MHz---(1.4MHz)		
		1851.5 MHz – 1913.5 MHz---(3.0MHz)		
		1712.5 MHz – 1777.5 MHz---(5.0MHz)		
		1855.0 MHz – 1910.0 MHz---(10.0MHz)		
		1857.5 MHz – 1907.5 MHz---(15.0MHz)		
		1860.0 MHz – 1905.0 MHz---(20.0MHz)		
	<b>LTE-Band 4</b>	1710.7 MHz – 1754.3 MHz---(1.4MHz)		
		1711.5 MHz – 1753.5 MHz---(3.0MHz)		
		1712.5 MHz – 1752.5 MHz---(5.0MHz)		
		1715.0 MHz – 1750.0 MHz---(10.0MHz)		
		1717.5 MHz – 1747.5 MHz---(15.0MHz)		
		1720.0 MHz – 1745.0 MHz---(20.0MHz)		
	<b>LTE-Band 5</b>	824.7 MHz – 848.3 MHz---(1.4MHz)		
		825.5 MHz – 847.7 MHz---(3.0MHz)		
		826.5 MHz – 846.5 MHz---(5.0MHz)		
		829.0 MHz – 844.0 MHz---(10.0MHz)		
	<b>LTE-Band 12</b>	699.7 MHz – 715.3 MHz---(1.4MHz)		
		700.5 MHz – 714.5 MHz---(3.0MHz)		
		701.5 MHz – 713.5 MHz---(5.0MHz)		
		704.0 MHz – 711.0 MHz---(10.0MHz)		
	<b>LTE-Band 13</b>	779.5 MHz – 784.5 MHz---(5.0MHz)		
		782.0 MHz – 782.0 MHz---(10.0MHz)		
	<b>LTE-Band 14</b>	790.5 MHz – 795.5 MHz---(5.0MHz)		
		793.0 MHz – 793.0 MHz---(10.0MHz)		
<b>LTE-Band 66</b>	1710.7 MHz – 1779.3 MHz---(1.4MHz)			
	1711.5 MHz – 1778.5 MHz---(3.0MHz)			
	1712.5 MHz – 1777.5 MHz---(5.0MHz)			
	1715.0 MHz – 1775.0 MHz---(10.0MHz)			



		1717.5 MHz – 1772.5 MHz---(15.0MHz)	
		1720.0 MHz – 1770.0 MHz---(20.0MHz)	
	<b>LTE-Band 71</b>		665.5 MHz – 695.5 MHz---(5.0MHz)
			668.0 MHz – 693.0 MHz---(10.0MHz)
			670.5 MHz – 690.5 MHz---(15.0MHz)
			673.0 MHz – 688.0 MHz---(20.0MHz)
Type of Modulation	<input checked="" type="checkbox"/> QPSK <input checked="" type="checkbox"/> 16QAM		
Antenna gain	Band 2:-11.92dBi; Band 4:-6.97dBi; Band 5: -12.18dBi; Band 12: -26.81dBi; Band 13: -20.81dBi; Band 14: -19.46dBi; Band 66: -6.97dBi; Band 71: -25.04dBi		
Single Card	WCDMA/LTE Card Slot		
Power Class	3		
Battery	N/A		
Power Source	DC 12-24V from car charger		
Adapter	N/A		

## 2.2 DESCRIPTION OF TEST MODES AND TEST FREQUENCY

The EUT has been tested under typical operating condition. The CMW500 used to control the EUT staying in continuous transmitting and receiving mode for testing.

### Test Frequency:

Band 2			
Test channel	Bandwidth(MHz)	N <sub>UL</sub>	Frequency of Uplink (MHz)
Low Range	1.4	18607	1850.70
	3	18615	1851.50
	5	18625	1852.50
	10	18650	1855.00
	15	18675	1857.50
	20	18700	1860.00
Mid Range	1.4/3/5/10/15/20	18900	1880.00
High Range	1.4	19193	1909.30
	3	19185	1908.50
	5	19175	1907.50
	10	19150	1905.00
	15	19125	1902.50
	20	19100	1900.00

Band 4			
Test channel	Bandwidth(MHz)	N <sub>UL</sub>	Frequency of Uplink (MHz)
Low Range	1.4	19957	1710.70
	3	19965	1711.50
	5	19975	1712.50
	10	20000	1715.00
	15	20025	1717.50
	20	20050	1720.00
Mid Range	1.4/3/5/10/15/20	20175	1732.50
High Range	1.4	20393	1754.30
	3	20385	1753.50
	5	20375	1752.50
	10	20350	1750.00
	15	20325	1747.50
	20	20300	1745.00

<b>Band 5</b>			
<b>Test channel</b>	<b>Bandwidth(MHz)</b>	<b>N<sub>UL</sub></b>	<b>Frequency of Uplink (MHz)</b>
Low Range	1.4	20407	824.70
	3	20415	825.50
	5	20425	826.50
	10	20450	829.00
Mid Range	1.4/3/5/10	20525	836.50
High Range	1.4	20643	848.30
	3	20635	847.50
	5	20625	846.50
	10	20600	844.00

<b>Band 12</b>			
<b>Test channel</b>	<b>Bandwidth(MHz)</b>	<b>N<sub>UL</sub></b>	<b>Frequency of Uplink (MHz)</b>
Low Range	1.4	23017	699.70
	3	23025	700.50
	5	23035	701.50
	10	23060	704.00
Mid Range	1.4/3/5/10	23095	707.50
High Range	1.4	23173	715.30
	3	23165	714.50
	5	23155	713.50
	10	23130	711.00

<b>Band 13</b>			
<b>Test channel</b>	<b>Bandwidth(MHz)</b>	<b>N<sub>UL</sub></b>	<b>Frequency of Uplink (MHz)</b>
Low Range	5	23205	779.50
	10	23230	782.00
Mid Range	5/10	23230	782.00
High Range	5	23255	784.50
	10	23230	782.00

<b>Band 14</b>			
<b>Test channel</b>	<b>Bandwidth(MHz)</b>	<b>N<sub>UL</sub></b>	<b>Frequency of Uplink (MHz)</b>
Low Range	5	23305	790.5
	10	/	/
Mid Range	5/10	23330	793
High Range	5	23355	795.5
	10	/	/

<b>Band 66</b>			
<b>Test channel</b>	<b>Bandwidth(MHz)</b>	<b>N<sub>UL</sub></b>	<b>Frequency of Uplink (MHz)</b>
Low Range	1.4	131979	1710.7
	3	131987	1711.5
	5	131997	1712.5
	10	132022	1715
	15	132047	1717.5
	20	132072	1720
Mid Range Tx <sup>1</sup>	1.4/3/5/10/15/20	132322	1745
Mid Range	1.4/3/5/10/15/20	132422	1755
Paired High Range <sup>2</sup>	1.4	132665	1779.3
	3	132657	1778.5
	5	132647	1777.5
	10	132622	1775
	15	132597	1772.5
	20	132572	1770
High Range <sup>3</sup>	1.4	NA	NA
	3	NA	NA
	5	NA	NA
	10	NA	NA
	15	NA	NA
	20	NA	NA

Note 1: Applicable for transmitter testing.

Note 2: Applicable if UL is configured on the CC.

Note 3: Applicable if no UL is configured on the CC.

<b>Band 71</b>			
<b>Test channel</b>	<b>Bandwidth(MHz)</b>	<b>N<sub>UL</sub></b>	<b>Frequency of Uplink (MHz)</b>
Low Range	5	133147	665.5
	10	133172	668
	15	133197	670.5
	20	133222	673
Mid Range	5/10/15	133297	680.5
	20	133322	683
High Range	5	133447	695.5
	10	133422	693
	15	133397	690.5
	20	133372	688

## 2.3 DESCRIPTION OF THE TEST MODES

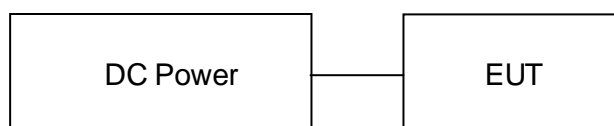
During the measurement the environmental conditions were within the listed ranges:

Voltage	Normal Voltage	DC 24V
	High Voltage	DC 26.4V
	Low Voltage	DC 21.6V
Other	Normal Temperature	24°C
	Relative Humidity	55 %
	Air Pressure	989 hPa

Note: All modes were test at Normal Voltage, High Voltage, and Low Voltage, only the worst results of Normal Voltage was reported in the test report.

## 2.4 TEST SETUP

Operation of EUT during Conducted and Radiation testing:



## 2.5 DESCRIPTION TEST PERIPHERAL AND EUT PERIPHERAL

The EUT has been tested as an independent unit together with other necessary accessories or support units. The following support units or accessories were used to form a representative test configuration during the tests.

Item	Equipment	Model/Type No.	Cable Length(m)	Note
1	Dride4K	DR4K1-RDL-NA	3m	EUT
2	DC power supply	--	--	AE

Note:

1. The support equipment was authorized by Declaration of Confirmation.
2. All the above equipment/cables were placed in worse case positions to maximize emission signals during emission test.

**2.6 MEASUREMENT INSTRUMENTS LIST**

Item	Equipment	Manufacturer	Model No.	Serial No.	Calibrated until
Conduction Emissions Measurement					
1	Conducted Emission Test Software	EZ-EMC	Ver.CCS-3A1-CE	N/A	N/A
2	AMN	Schwarzbeck	NNLK8121	8121370	2023.09.22
3	AAN	TESEQ	T8-Cat6	38888	2023.09.22
4	Pulse Limiter	CYBRTEK	EM5010	E115010056	2023.05.30
5	EMI Test Receiver	Rohde&Schwarz	ESCI	101210	2023.09.22
Radiated Emissions Measurement					
1	Radiated Emission Test Software	EZ-EMC	Ver.CCS-03A1	N/A	N/A
2	Horn Antenna	Sunol	DRH-118	A101415	2023.09.27
3	Broadband Hybrid Antenna	Sunol	JB1	A090215	2024.02.26
4	PREAMP	HP	8449B	3008A00160	2023.09.22
5	PREAMP	HP	8447D	2944A07999	2023.05.30
6	EMI TEST RECEIVER	Rohde&Schwarz	ESR3	101891	2023.09.22
7	VECTOR Signal Generator	Rohde&Schwarz	SMU200A	101521	2023.09.22
8	Signal Generator	Agilent	E4421B	MY4335105	2023.09.22
9	MXA Signal Analyzer	Agilent	N9020A	MY50510140	2023.09.22
10	MXA Signal Analyzer	Keysight	N9020A	MY51110104	2023.09.22
11	RF Power sensor	DARE	RPR3006W	15I00041SNO88	2023.05.30
12	RF Power sensor	DARE	RPR3006W	15I00041SNO89	2023.05.30
13	RF power divider	Anritsu	K241B	992289	2023.09.22
14	Wideband radio communication tester	Rohde&Schwarz	CMW500	154987	2023.09.22
15	Active Loop Antenna	Com-Power	AL-130R	10160009	2023.05.30
16	Broadband Hybrid Antennas	Schwarzbeck	VULB9163	VULB9163#958	2023.09.22
17	Horn Antenna	Schwarzbeck	BBHA9120D	9120D-1680	2023.05.30
18	Horn Antenna	A-INFOMW	LB-180400-KF	J211060660	2023.09.27
19	Microwave Broadband Preamplifier	Schwarzbeck	BBV 9721	100472	2023.09.22
20	Signal Generator	Agilent	N5183A	MY47420153	2023.09.22
21	Spectrum Analyzer	Rohde&Schwarz	FSP 40	100501	2023.09.22
22	Power Meter	KEYSIGHT	N1911A	MY50520168	2023.09.22
23	Frequency Meter	VICTOR	VC2000	997406086	2023.09.22
24	DC Power Source	HYELEC	HY5020E	055161818	2023.09.22

### 3 ERP AND EIRP

#### 3.1 LIMIT

The radiation test is carried out in a semi-anechoic chamber.

According to the test, put the device under test on a non-conductive platform 3 meters away from the receiving antenna (ANSI/TIA-603-E-2016 Article 2.2.17).

The following rules are for the maximum radiated power limit requirements of the product:

LTE FDD Band 2: 2W(33dBm) ERP

LTE FDD Band 4: 1W(30dBm) ERP

LTE FDD Band 5: 7W(38.45dBm) ERP

LTE FDD Band 12: 3W(34.77dBm) ERP

LTE FDD Band 13: 3W(34.77dBm) ERP

LTE FDD Band 14: 3W(34.77dBm) ERP

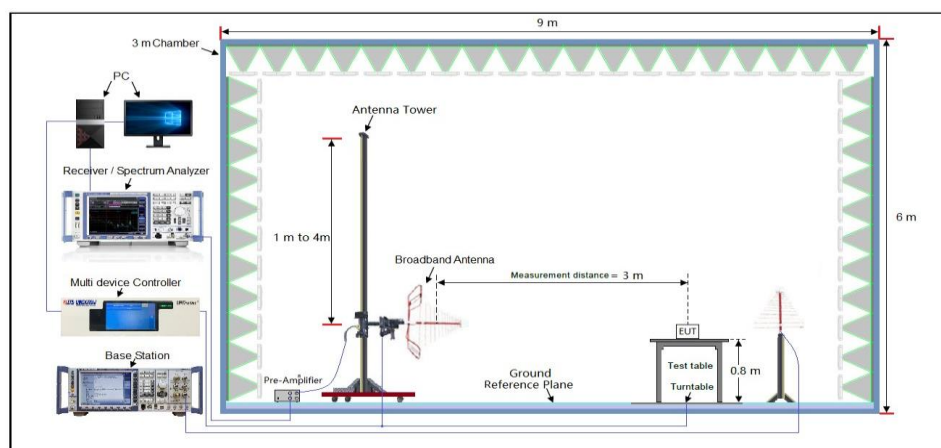
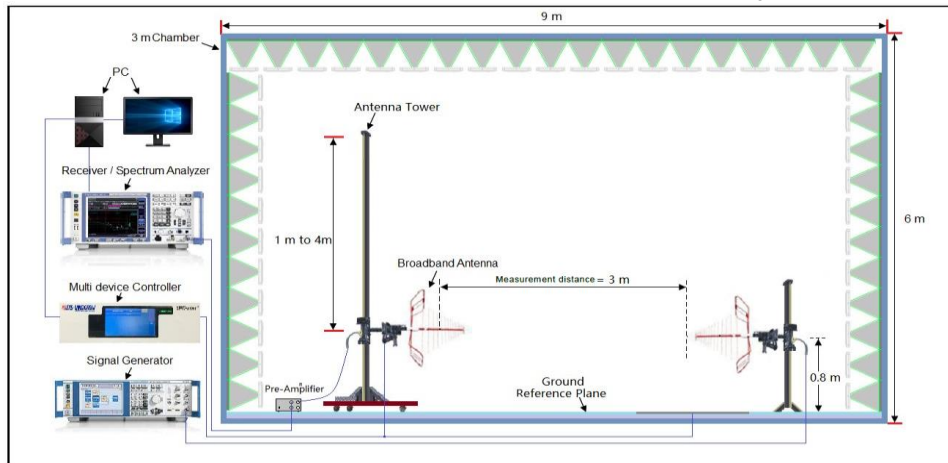
LTE FDD Band 66: 1W(30dBm) ERP

LTE FDD Band 66: 3W(34.77dBm) ERP

FCC: §2.1046, §22.913, §24.232, §27.50, §90.635, §90.541, and §96.41

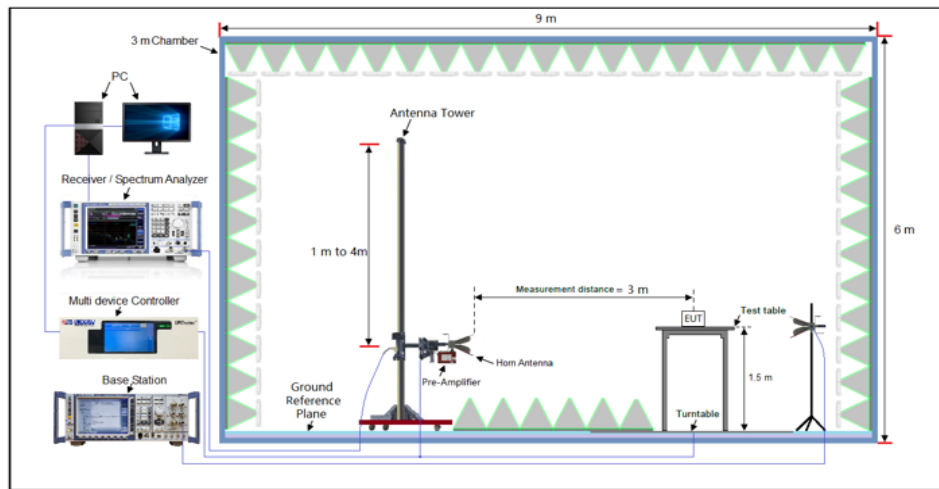
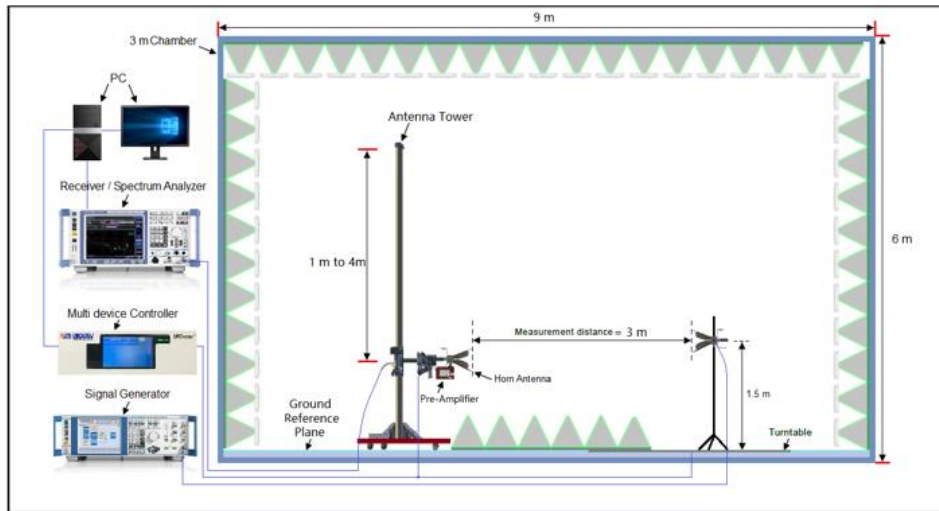
#### 3.2 TEST CONFIGURATION

Radiated Power 30MHz to 1GHz Test setup





### Radiated Power Above 1GHz Test setup



### Conducted Power Test setup



### 3.3 TEST PROCEDURE

#### Radiated Test:

1. Place the EUT in the center of the turntable.
  - a) For radiated emissions measurements performed at frequencies less than or equal to 1 GHz, the EUT shall be placed on a RF-transparent table at a nominal height of 80 cm above the reference ground plane
  - b) For radiated measurements performed at frequencies above 1 GHz, the EUT shall be placed on an RF transparent table at a nominal height of 1.5 m above the ground plane.
2. Unless the EUT uses an integral antenna, the EUT shall be terminated with a non-radiating transmitter load. In cases where the EUT uses an adjustable antenna, the antenna shall be adjusted through typical positions and lengths to maximize emissions levels.
3. The EUT shall be tested while operating on the frequency per manufacturer specification. Set the transmitter to operate in continuous transmit mode.
4. Receiver or Spectrum set as follow:  
Below 1GHz, RBW=100kHz, VBW=300kHz, Detector=Peak, Sweep time=Auto  
Above 1GHz, RBW=1MHz, VBW=3MHz, Detector=Peck, Sweep time=Auto
5. Each emission under consideration shall be evaluated:
  - a) Raise and lower the measurement antenna from 1 m to 4 m, as necessary to enable detection of the maximum emission amplitude relative to measurement antenna height.
  - b) Rotate the EUT through 360° to determine the maximum emission level relative to the axial position.
  - c) Return the turntable to the azimuth where the highest emission amplitude level was observed.
  - d) Vary the measurement antenna height again through 1 m to 4 m again to find the height associated with the maximum emission amplitude.
  - e) Record the measured emission amplitude level and frequency
8. Maintain the previous measurement instrument settings and test set-up, with the exception that the EUT is removed and replaced by the substitution antenna.
9. Connect a signal generator to the substitution antenna; locate the signal generator so as to minimize any potential influences on the measurement results. Set the signal generator to the frequency where emissions are detected, and set an output power level such that the radiated signal can be detected by the measurement instrument, with sufficient dynamic range relative to the noise floor.
10. For each emission that was detected and measured in the initial test
  - a) Vary the measurement antenna height between 1 m to 4 m to maximize the received (measured) signal amplitude.
  - b) Adjust the signal generator output power level until the amplitude detected by the measurement instrument equals the amplitude level of the emission previously measured directly in step 5 and step 6.

c) Record the output power level of the signal generator when equivalence is achieved in step b).

11. Repeat step 8 through step 10 with the measurement antenna oriented in the opposite polarization.

12. Calculate the emission power in dBm referenced to a half-wave dipole using the following equation:

$$P_e = P_s(\text{dBm}) - \text{cable loss (dB)} + \text{antenna gain (dBd)}$$

where

$P_e$  = equivalent emission power in dBm

$P_s$  = source (signal generator) power in dBm

*NOTE—dBd refers to the measured antenna gain in decibels relative to a half-wave dipole.*

13. Correct the antenna gain of the substitution antenna if necessary to reference the emission power to a half-wave dipole. When using measurement antennas with the gain specified in dBi, the equivalent dipole-referenced gain can be determined from:

$$\text{gain (dBd)} = \text{gain (dBi)} - 2.15 \text{ dB.}$$

If necessary, the antenna gain can be calculated from calibrated antenna factor information

14. Provide the complete measurement results as a part of the test report.

Conducted Test:

The EUT is coupled to the SS with attenuator through power splitter; the RF load attached to EUT antenna terminal is 50ohm, the path loss as the factor is calibrated to correct the reading. A system simulator was used to establish communication with the EUT , Its parameters were set to force the EUT transmitting at maximum output power. The measured power in the radio frequency on the transmitter output terminals shall be reported. The measurements were performed on all modes at 3 typical channels(the Top Channel, the Middle Channel and the Bottom Channel) for each band.

### 3.4 TEST RESULT

Please refer to Appendix.

## 4 PEAK-TO-AVERAGE POWER RATIO

### 4.1 PROVISIONS APPLICABLE

#### ① CCDF Procedure for PAPR :

1. Set resolution/measurement bandwidth  $\geq$  signal's occupied bandwidth;
2. Set the number of counts to a value that stabilizes the measured CCDF curve;
3. Set the measurement interval as follows:
  - for continuous transmissions, set to 1 ms,
  - or burst transmissions, employ an external trigger that is synchronized with the EUT burst timing sequence, or use the internal burst trigger with a trigger level that allows the burst to stabilize and set the measurement interval to a time that is less than or equal to the burst duration.
4. Record the maximum PAPR level associated with a probability of 0.1%.

#### ② Alternate Procedure for PAPR:

Use one of the procedures presented in 5.2(ANSI C63.26-2015) to measure the total peak power and record as PPK. Use one of the applicable procedures presented 5.2(ANSI C63.26-2015) to measure the total average power and record as PAvg. Determine the P.A.R. from:

$$P.A.R(dB) = PPK (dBm) - PAvg (dBm) \text{ (PAvg = Average Power + Duty cycle Factor)}$$

### 4.2 MEASUREMENT METHOD

#### Test Settings(Peak Power):

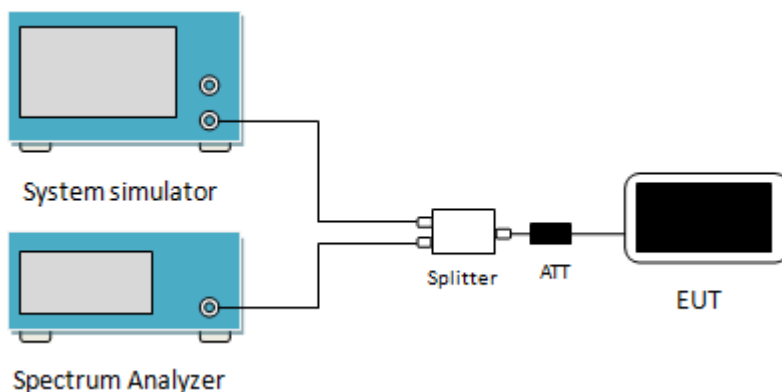
The measurement instrument must have a RBW that is greater than or equal to the OBW of the signal to be measured and a VBW  $\geq 3 \times$  RBW.

1. Set the RBW  $\geq$  OBW.
2. Set VBW  $\geq 3 \times$  RBW.
3. Set span  $\geq 2 \times$  OBW.
4. Sweep time  $\geq 10 \times$  (number of points in sweep)  $\times$  (transmission symbol period).
5. Detector = peak.
6. Trace mode = max hold.
7. Allow trace to fully stabilize.
8. Use the peak marker function to determine the peak amplitude level.

### Test Settings(Average Power)

1. Set span to  $2 \times$  to  $3 \times$  the OBW.
2. Set RBW  $\geq$  OBW.
3. Set VBW  $\geq 3 \times$  RBW.
4. Set number of measurement points in sweep  $\geq 2 \times$  span / RBW.
5. Sweep time: Set  $\geq [10 \times (\text{number of points in sweep}) \times (\text{transmission period})]$  for single sweep (automation-compatible) measurement. The transmission period is the (on + off) time.
6. Detector = power averaging (rms).
7. Set sweep trigger to "free run."
8. Trace average at least 100 traces in power averaging (rms) mode if sweep is set to auto-couple. (To accurately determine the average power over the on and off period of the transmitter, it can be necessary to increase the number of traces to be averaged above 100 or, if using a manually configured sweep time, increase the sweep time.)
9. Use the peak marker function to determine the maximum amplitude level.
10. Add  $[10 \log (1/\text{duty cycle})]$  to the measured maximum power level to compute the average power during continuous transmission. For example, add  $[10 \log (1/0.25)] = 6 \text{ dB}$  if the duty cycle is a constant 25%.

### 4.3 MEASUREMENT SETUP



### 4.4 TEST RESULT

Please refer to Appendix

## 5 OCCUPY BANDWIDTH

### 5.1 PROVISIONS APPLICABLE

The width of a frequency band such that, below the lower and above the upper frequency limits, the mean powers emitted are each equal to a specified percentage 0.5 % of the total mean power of a given emission.

The EUT makes a call to the communication simulator.

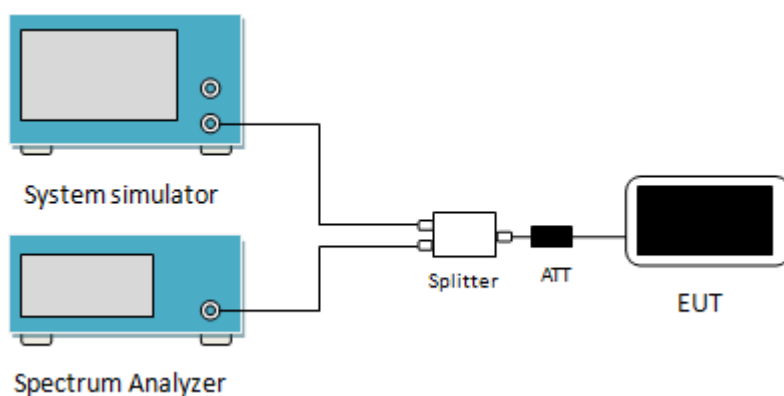
The conducted occupied bandwidth used the power splitter via EUT RF power connector between simulation base station and spectrum analyzer.

The communication simulator station system controlled a EUT to export maximum output power under transmission mode and specific channel frequency. Use OBW measurement function of Spectrum analyzer to measure 99 % occupied bandwidth

### 5.2 MEASUREMENT METHOD

1. The signal analyzer's automatic bandwidth measurement capability was used to perform the 99% occupied bandwidth and the 26dB bandwidth. The bandwidth measurement was not influenced by any intermediate power nulls in the fundamental emission.
2. RBW = 1 – 5% of the expected OBW
3. VBW  $\geq$  3 x RBW
4. Detector = Peak
5. Trace mode = max hold
6. Sweep = auto couple
7. The trace was allowed to stabilize
8. If necessary, steps 2 – 7 were repeated after changing the RBW such that it would be within 1-5% of the 99% occupied bandwidth observed in Step 7

### 5.3 MEASUREMENT SETUP



## **5.4 TEST RESULT**

Please refer to Appendix

## **6 MODULATION CHARACTERISTIC**

According to FCC § 2.1047(d), Part 22H & 24E there is no specific requirement for digital modulation, therefore modulation characteristic is not presented.



## 7 OUT OF BAND EMISSION AT ANTENNA TERMINALS

### 7.1 PROVISIONS APPLICABLE

The level of the carrier and the various conducted spurious and harmonic frequencies is measured by means of a calibrated spectrum analyzer. The spectrum is scanned from the lowest frequency generated in the equipment up to a frequency including its 10th harmonic. All out of band emissions are measured with a spectrum analyzer connected to the antenna terminal of the EUT while the EUT is operating at its maximum duty cycle, at maximum power, and at the appropriate frequencies. All data rates were investigated to determine the worst case configuration. All modes of operation were investigated and the worst case configuration results are reported in this section.

### 7.2 MEASUREMENT METHOD

For Band 2/Band 4/Band 5/Band 12/Band 13/Band 14/Band 17/Band 25/Band 26/Band 66/Band 71:  
The minimum permissible attenuation level of any spurious emission is  $43 + \log_{10}(P[\text{Watts}])$ , where P is the transmitter power in Watts.

For Band 7:

- (i)  $40 + 10 \log_{10} p$  from the channel edges to 5 MHz away
- (ii)  $43 + 10 \log_{10} p$  between 5 MHz and X MHz from the channel edges, and
- (iii)  $55 + 10 \log_{10} p$  at X MHz and beyond from the channel edges

For Band 14:

On all frequencies between 769-775 MHz and 799-805 MHz:  $< 65 + 10 \log_{10} (P[\text{Watts}])$

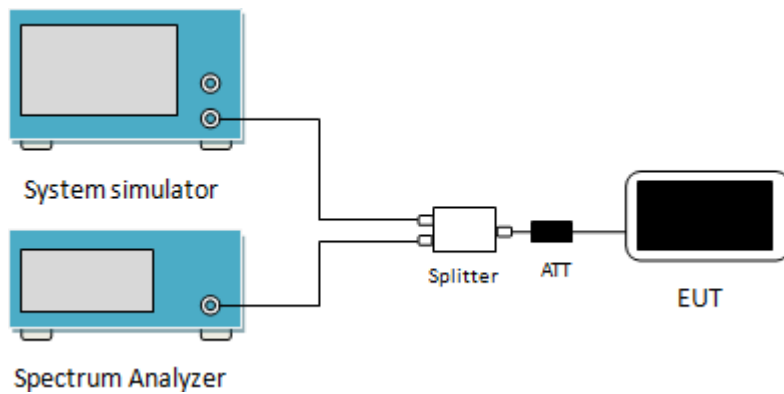
#### Test Settings

1. Start frequency was set to 30MHz and stop frequency was set to at least  $10 * \text{the fundamental frequency}$  (separated into at least two plots per channel)
  1. RBW = 1 MHz
  2. VBW  $\geq$  3 MHz
  3. Detector = RMS
  4. Trace Mode = Average
  5. Sweep time = auto
  6. Number of points in sweep  $\geq 2 * \text{Span} / \text{RBW}$

#### Test Note

Compliance with the applicable limits is based on the use of measurement instrumentation employing a resolution bandwidth of 100 kHz or greater for frequencies less than 1 GHz and 1 MHz or greater for frequencies greater than 1 GHz. However, in the 1 MHz bands immediately outside and adjacent to the frequency block a resolution bandwidth of at least one percent of the emission bandwidth of the fundamental emission of the transmitter may be employed. The emission bandwidth is defined as the width of the signal between two points, one below the carrier center frequency and one above the carrier center frequency, outside of which all emission are attenuated at least 26 dB below the transmitter power.

### 7.3 MEASUREMENT SETUP



### 7.4 TEST RESULT

Please refer to Appendix

- Note:**
1. No transmission signal is found in standby or receiving mode, and the default value is lower than the limit of 20dB, which is not recorded in this report.
  2. Pre-scan all RB Size and offset, and found the RB Size and offset of worst case, so the report shows only the worst case test data.

## **8 FIELD STRENGTH OF SPURIOUS RADIATION MEASUREMENT**

### **8.1 PROVISIONS APPLICABLE**

(A) On any frequency outside a licensee's frequency block (e.g. A, D, B, etc.) within the USPCS spectrum, the power of any emission shall be attenuated below the transmitter power (P, in Watts) by at least  $43+10\log(P)$  dB. The specification that emissions shall be attenuated below the transmitter power (P) by at least  $43 + 10 \log (P)$  dB, translates in the relevant power range (1 to 0.001 W) to -13 dBm.

At 1 W the specified minimum attenuation becomes 43 dB and relative to a 30 dBm (1 W) carrier becomes a limit of -13 dBm. At 0.001 W (0 dBm) the minimum attenuation is 13 dB, which again yields a limit of -13 dBm. In this way a translation of the specification from relative to absolute terms is carried out.

(B) For specific criteria, please refer to the description in section 9.2 of the report for corresponding evaluation.

### **8.2 MEASUREMENT PROCEDURE**

1. The EUT was placed on the top of the turntable 0.8 or 1.5 meter above ground. The phase center of the receiving antenna mounted on the top of a height-variable antenna tower was placed 3 meters far away from the turntable.
2. Power on the EUT and all the supporting units. The turntable was rotated by 360 degrees to determine the position of the highest radiation.
3. The height of the broadband receiving antenna was varied between one meter and four meters above ground to find the maximum emissions field strength of both horizontal and vertical polarization.
4. For each suspected emissions, the antenna tower was scan (from 1 M to 4 M) and then the turntable was rotated (from 0 degree to 360 degrees) to find the maximum reading.
5. Set the test-receiver system to Peak or CISPR quasi-peak Detect Function with specified bandwidth under Maximum Hold Mode.
6. For emissions above 1GHz, use 1MHz VBW and RBW for peak reading. Then 1MHz RBW and 10Hz VBW for average reading in spectrum analyzer. Place the measurement antenna away from each area of the EUT determined to be a source of emissions at the specified measurement distance, while keeping the measurement antenna aimed at the source of emissions at each frequency of significant emissions, with polarization oriented for maximum response. The measurement antenna may have to be higher or lower than the EUT, depending on the radiation pattern of the emission and staying aimed at the emission source for receiving the maximum signal. The final measurement antenna elevation shall be that which maximizes the emissions. The measurement antenna elevation for maximum emissions shall be restricted to a range of heights of from 1 m to 4 m above the ground or reference ground plane.
7. When the radiated emissions limits are expressed in terms of the average value of the emissions, and pulsed operation is employed, the measurement field strength shall be determined by averaging over one complete pulse train, including blanking intervals, as long as the pulse train does not exceed 0.1 seconds. As an alternative (provided the transmitter operates for longer than 0.1 seconds) or in cases where the pulse train exceeds 0.1 seconds, the measured field strength shall be determined from the average absolute voltage during a 0.1 second interval during which the field strength is at its maximum values.

8. If the emissions level of the EUT in peak mode was 3 dB lower than the average limit specified, then testing will be stopped and peak values of EUT will be reported, otherwise, the emissions which do not have 3 dB margin will be repeated one by one using the quasi-peak method for below 1GHz.
9. For testing above 1GHz, the emissions level of the EUT in peak mode was lower than average limit (that means the emissions level in peak mode also complies with the limit in average mode), then testing will be stopped and peak values of EUT will be reported, otherwise, the emissions will be measured in average mode again and reported.
10. In case the emission is lower than 30MHz, loop antenna has to be used for measurement and the recorded data should be QP measured by receiver. High - Low scan is not required in this case.
11. For spurious emissions above 1GHz, a horn antenna is substituted in place of the EUT. The substitute antenna is driven by a signal generator and the previously recorded signal was duplicated.

The spurious emissions is calculated by the following formula;

$$\text{Result(dBm)} = \text{Pg(dBm)} + \text{Factor(dB)}$$

$$\text{Factor(dB)} = \text{Ant Gain(dB)} - \text{Cable Loss(dB)} + \text{Power Splitter(dB)} \text{ (Above 1GHz)}$$

$$\text{Factor(dB)} = \text{Ant Gain(dB)} - \text{Cable Loss(dB)} \text{ (Below 1GHz)}$$

Where: P<sub>g</sub> is the generator output power into the substitution antenna.

If the fundamental frequency is below 1GHz, RF output power has been converted to EIRP.

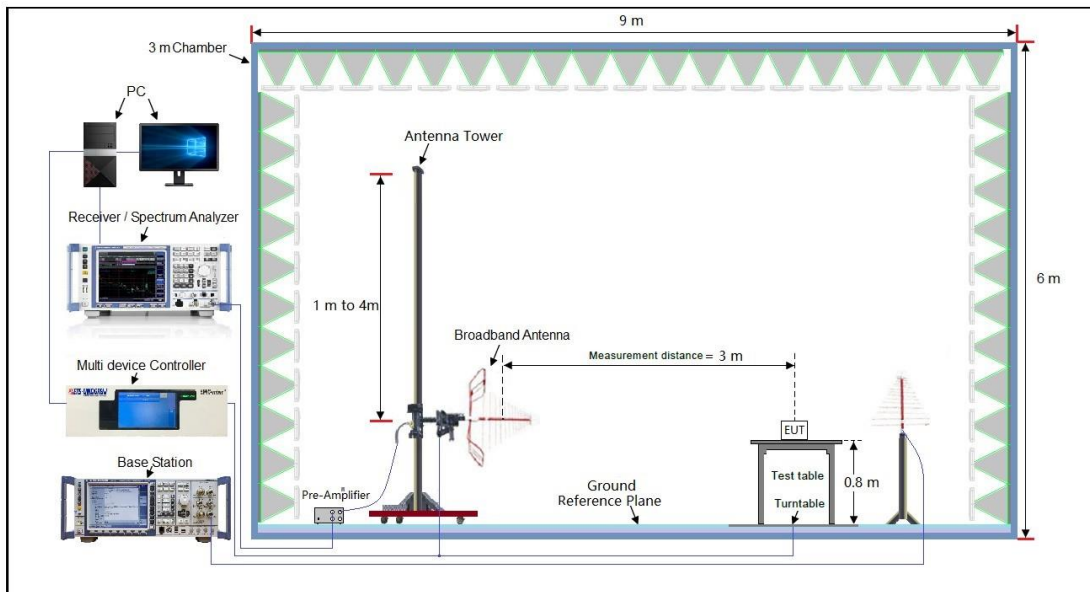
$$\text{EIRP(dBm)} = \text{ERP(dBm)} + 2.15$$

12. Examples of Factor parameters for testing radiation spurious:

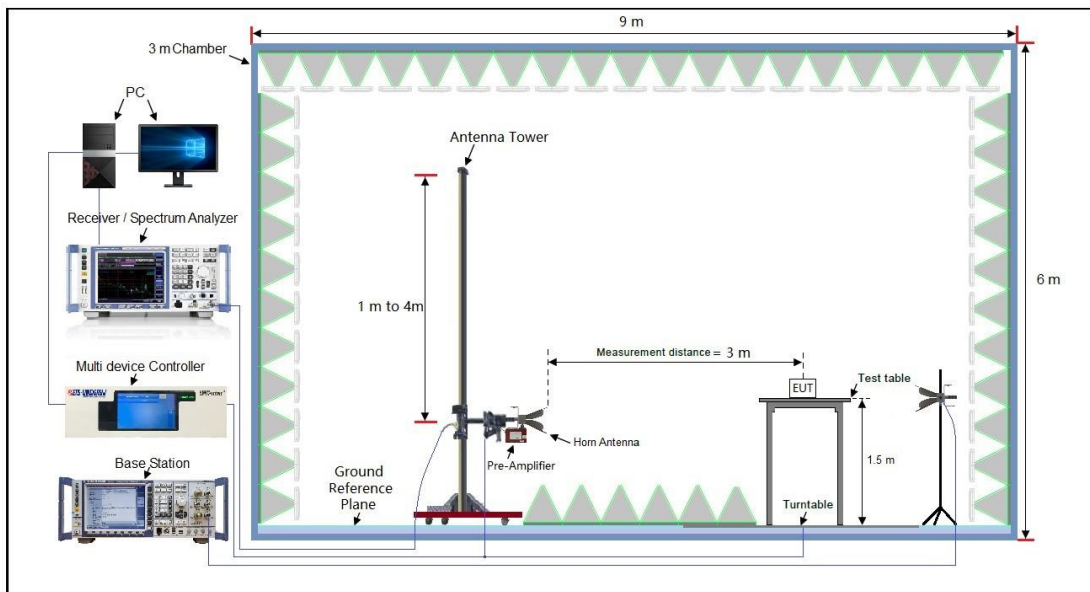
Frequency Range(MHz)	Factor(dB)
30-500	6.18
500-1000	9.37
1000-1500	27.56
1500-2000	28.27
2000-3000	29.45
3000-5000	30.15
5000-10000	31.26
10000-15000	32.78
15000-20000	33.99
Above 20GHz	35.04

### 8.3 MEASUREMENT SETUP

#### Radiated Emissions 30MHz to 1GHz Test setup



#### Radiated Emissions Above 1GHz Test setup



### 8.4 TEST RESULT

All the modulations and bandwidths were tested and only record the worst result for Band 2(QPSK, 10MHz), Band 4(QPSK, 20MHz), Band 5(QPSK, 1.4MHz) , Band 12(QPSK, 1.4MHz) , Band 13(QPSK, 10MHz) , Band 14(QPSK, 10MHz) , Band 66(QPSK, 20MHz) , Band 71(QPSK, 20MHz).

**LTE Band 2  
Low channel**

Frequency (MHz)	Polarity (H/V)	Emission Level (dBm)	Limit (dBm)	Margin (dB)
5580	V	-43.57	-13	-30.57
3720	V	-42.58	-13	-29.58
703.3	V	-49.68	-13	-36.68
419.9	V	-51.76	-13	-38.76
5580	H	-41.82	-13	-28.82
3720	H	-43.13	-13	-30.13
703.3	H	-50.43	-13	-37.43
419.9	H	-51.91	-13	-38.91

**Middle channel**

Frequency (MHz)	Polarity (H/V)	Emission Level (dBm)	Limit (dBm)	Margin (dB)
5640	V	-43.27	-13	-30.27
3760	V	-41.93	-13	-28.93
889.3	V	-50.01	-13	-37.01
621.4	V	-51.02	-13	-38.02
5640	H	-51.19	-13	-38.19
3760	H	-43.92	-13	-30.92
889.3	H	-47.15	-13	-34.15
621.4	H	-50.74	-13	-37.74

**High channel**

Frequency (MHz)	Polarity (H/V)	Emission Level (dBm)	Limit (dBm)	Margin (dB)
5700	V	-43.4	-13	-30.4
3800	V	-43.9	-13	-30.9
669.3	V	-49.19	-13	-36.19
547.6	V	-48.61	-13	-35.61
5700	H	-41.54	-13	-28.54
3800	H	-41.25	-13	-28.25
669.3	H	-50.01	-13	-37.01
547.6	H	-50.16	-13	-37.16

**LTE Band 4  
Low channel**

Frequency (MHz)	Polarity (H/V)	Emission Level (dBm)	Limit (dBm)	Margin (dB)
5160	V	-41.46	-13	-28.46
3440	V	-41.66	-13	-28.66
783.6	V	-46.83	-13	-33.83
547.3	V	-49.56	-13	-36.56
5160	H	-41.58	-13	-28.58
3440	H	-42.05	-13	-29.05
783.6	H	-49.05	-13	-36.05
547.3	H	-45.88	-13	-32.88

**Middle channel**

Frequency (MHz)	Polarity (H/V)	Emission Level (dBm)	Limit (dBm)	Margin (dB)
5197.5	V	-38.5	-13	-25.5
3465	V	-38.63	-13	-25.63
742.3	V	-45.47	-13	-32.47
615.7	V	-47.47	-13	-34.47
5197.5	H	-38.93	-13	-25.93
3465	H	-39.45	-13	-26.45
742.3	H	-46.14	-13	-33.14
615.7	H	-45.73	-13	-32.73

**High channel**

Frequency (MHz)	Polarity (H/V)	Emission Level (dBm)	Limit (dBm)	Margin (dB)
5235	V	-38.51	-13	-25.51
3490	V	-39.51	-13	-26.51
711.1	V	-47.46	-13	-34.46
528.7	V	-46.65	-13	-33.65
5235	H	-38.32	-13	-25.32
3490	H	-38.24	-13	-25.24
612.5	H	-45.3	-13	-32.3
553.9	H	-45.07	-13	-32.07

**LTE Band 5**  
**Low channel**

Frequency (MHz)	Polarity (H/V)	Emission Level (dBm)	Limit (dBm)	Margin (dB)
2487	V	-40.76	-13	-27.76
1658	V	-42.03	-13	-29.03
512.2	V	-45.93	-13	-32.93
365.5	V	-46.2	-13	-33.2
2487	H	-39.71	-13	-26.71
1658	H	-39.88	-13	-26.88
521.1	H	-44.2	-13	-31.2
336.5	H	-44.28	-13	-31.28

**Middle channel**

Frequency (MHz)	Polarity (H/V)	Emission Level (dBm)	Limit (dBm)	Margin (dB)
2509.5	V	-42.44	-13	-29.44
1673	V	-42.31	-13	-29.31
725.8	V	-46.21	-13	-33.21
616.6	V	-45.95	-13	-32.95
2509.5	H	-40.83	-13	-27.83
1673	H	-41.69	-13	-28.69
705.5	H	-45.25	-13	-32.25
558.9	H	-44.93	-13	-31.93

**High channel**

Frequency (MHz)	Polarity (H/V)	Emission Level (dBm)	Limit (dBm)	Margin (dB)
2532	V	-39.83	-13	-26.83
1688	V	-39.76	-13	-26.76
648.3	V	-45.75	-13	-32.75
482.7	V	-45.74	-13	-32.74
2532	H	-40.21	-13	-27.21
1688	H	-40.4	-13	-27.4
785.6	H	-45.48	-13	-32.48
615.7	H	-47.39	-13	-34.39



**LTE Band 12  
Low channel**

Frequency (MHz)	Polarity (H/V)	Emission Level (dBm)	Limit (dBm)	Margin (dB)
2112.0	V	-42.5	-13	-29.5
1408	V	-41.1	-13	-28.1
658.1	V	-49.76	-13	-36.76
516.9	V	-49.18	-13	-36.18
2112	H	-41.4	-13	-28.4
1408	H	-41.3	-13	-28.3
714.4	H	-48.12	-13	-35.12
669.5	H	-48.43	-13	-35.43

**Middle channel**

Frequency (MHz)	Polarity (H/V)	Emission Level (dBm)	Limit (dBm)	Margin (dB)
2122.5	V	-43.88	-13	-30.88
1415	V	-43.4	-13	-30.4
651.5	V	-47.55	-13	-34.55
512.7	V	-49.72	-13	-36.72
2122.5	H	-43.04	-13	-30.04
1415	H	-42.87	-13	-29.87
525.4	H	-48.61	-13	-35.61
498.7	H	-49.47	-13	-36.47

**High channel**

Frequency (MHz)	Polarity (H/V)	Emission Level (dBm)	Limit (dBm)	Margin (dB)
2133	V	-43.85	-13	-30.85
1422	V	-43.21	-13	-30.21
653.3	V	-47	-13	-34
592.7	V	-47.87	-13	-34.87
2133	H	-44.1	-13	-31.1
1422	H	-43.62	-13	-30.62
641.5	H	-50.84	-13	-37.84
558.3	H	-48.95	-13	-35.95

**LTE Band 13**  
**Low channel**

Frequency (MHz)	Polarity (H/V)	Emission Level (dBm)	Limit (dBm)	Margin (dB)
2338.5	V	-47.16	-13	-34.16
1559	V	-44.68	-13	-31.68
678.2	V	-47.82	-13	-34.82
423.6	V	-51.53	-13	-38.53
2338.5	H	-44.92	-13	-31.92
1559	H	-43.99	-13	-30.99
577.3	H	-52.27	-13	-39.27
345.9	H	-48.64	-13	-35.64

**Middle channel**

Frequency (MHz)	Polarity (H/V)	Emission Level (dBm)	Limit (dBm)	Margin (dB)
2346	V	-44.87	-13	-31.87
1564	V	-45.57	-13	-32.57
611.7	V	-50.8	-13	-37.8
444,8	V	-51.78	-13	-38.78
2346	H	-43.93	-13	-30.93
1564	H	-45.49	-13	-32.49
692.8	H	-47.5	-13	-34.5
439.4	H	-51.83	-13	-38.83

**High channel**

Frequency (MHz)	Polarity (H/V)	Emission Level (dBm)	Limit (dBm)	Margin (dB)
2353.5	V	-44.76	-13	-31.76
1569	V	-44.22	-13	-31.22
572.8	V	-48.26	-13	-35.26
309.9	V	-50.87	-13	-37.87
2353.5	H	-43.62	-13	-30.62
1569	H	-43.19	-13	-30.19
602.7	H	-49.5	-13	-36.5
413.6	H	-49.38	-13	-36.38

**LTE Band 14**  
**Low channel**

Frequency (MHz)	Polarity (H/V)	Emission Level (dBm)	Limit (dBm)	Margin (dB)
2371.5	V	-45.3	-13	-32.3
1581	V	-46.82	-13	-33.82
577.9	V	-48.23	-13	-35.23
415.6.6	V	-50.28	-13	-37.28
2371.5	H	-44.55	-13	-31.55
1581	H	-44.77	-13	-31.77
699.2	H	-51.83	-13	-38.83
514.7	H	-48.57	-13	-35.57

**Middle channel**

Frequency (MHz)	Polarity (H/V)	Emission Level (dBm)	Limit (dBm)	Margin (dB)
2379	V	-46.12	-13	-33.12
1586	V	-45.48	-13	-32.48
611.7	V	-50.07	-13	-37.07
444,8	V	-51.5	-13	-38.5
2379	H	-44.65	-13	-31.65
1586	H	-44.38	-13	-31.38
692.8	H	-47.84	-13	-34.84
439.4	H	-52.29	-13	-39.29

**High channel**

Frequency (MHz)	Polarity (H/V)	Emission Level (dBm)	Limit (dBm)	Margin (dB)
2386.5	V	-45.54	-13	-32.54
1591	V	-44.94	-13	-31.94
572.8	V	-49	-13	-36
309.9	V	-50.68	-13	-37.68
2386.6	H	-42.79	-13	-29.79
1591	H	-43.52	-13	-30.52
602.7	H	-50.32	-13	-37.32
413.6	H	-49.29	-13	-36.29

**LTE Band 13 (1559 MHz ~ 1610 MHz Wideband Band)**

Operating Frequency (MHz)	Measured Frequency (MHz)	Polarity (H/V)	Emission Level (dBm)	Limit (dBm/MHz)	Margin (dB)
779.5	1559	V	-42.02	-40	-2.02
782.0	1564	V	-42.91	-40	-2.91
784.5	1569	V	-41.56	-40	-1.56
779.5	1559	H	-41.33	-40	-1.33
782.0	1564	H	-42.83	-40	-2.83
784.5	1569	H	-40.53	-40	-0.53

**LTE Band 14 (1559 MHz ~ 1610 MHz Wideband Band)**

Operating Frequency (MHz)	Measured Frequency (MHz)	Polarity (H/V)	Emission Level (dBm)	Limit (dBm/MHz)	Margin (dB)
790.5	1581	V	-44.16	-40	-4.16
793.0	1586	V	-42.82	-40	-2.82
795.5	1591	V	-42.28	-40	-2.28
790.5	1581	H	-42.11	-40	-2.11
793.0	1586	H	-41.72	-40	-1.72
795.5	1591	H	-40.86	-40	-0.86

**Note:**

1. The spurious emissions found in the frequency band 1559-1610MHz meet the stricter Wideband limits.
2. The emission levels of below 1 GHz are very lower than the limit above 10dB and not show in test report.

**LTE Band 66  
Low channel**

Frequency (MHz)	Polarity (H/V)	Emission Level (dBm)	Limit (dBm)	Margin (dB)
5132.1	V	-43.34	-13	-30.34
3421.4	V	-41.92	-13	-28.92
698.3	V	-46.64	-13	-33.64
417.5	V	-48.44	-13	-35.44
5132.1	H	-42.46	-13	-29.46
3421.4	H	-43.01	-13	-30.01
504.9	H	-50.19	-13	-37.19
431.9	H	-47.54	-13	-34.54

**Middle channel**

Frequency (MHz)	Polarity (H/V)	Emission Level (dBm)	Limit (dBm)	Margin (dB)
5235	V	-42.93	-13	-29.93
3490	V	-42.3	-13	-29.3
578.2	V	-48.35	-13	-35.35
345.7	V	-49.21	-13	-36.21
5235	H	-42.5	-13	-29.5
3490	H	-42.18	-13	-29.18
634.8	H	-46.5	-13	-33.5
412.9	H	-50.22	-13	-37.22

**High channel**

Frequency (MHz)	Polarity (H/V)	Emission Level (dBm)	Limit (dBm)	Margin (dB)
5337.9	V	-41.91	-13	-28.91
3558.6	V	-40.83	-13	-27.83
752.6	V	-46.27	-13	-33.27
546.1	V	-48.83	-13	-35.83
5337.9	H	-41.85	-13	-28.85
3558.6	H	-41.43	-13	-28.43
687.3	H	-47.9	-13	-34.9
436.6	H	-46.96	-13	-33.96

**LTE Band 71**  
**Low channel**

Frequency (MHz)	Polarity (H/V)	Emission Level (dBm)	Limit (dBm)	Margin (dB)
1996.5	V	-41.91	-13	-28.91
1331	V	-42.9	-13	-29.9
511.2	V	-45.33	-13	-32.33
375.4	V	-48.45	-13	-35.45
1996.5	H	-42.03	-13	-29.03
1331	H	-43.12	-13	-30.12
577.1	H	-50.86	-13	-37.86
309.6	H	-47.51	-13	-34.51

**Middle channel**

Frequency (MHz)	Polarity (H/V)	Emission Level (dBm)	Limit (dBm)	Margin (dB)
2041.5	V	-42.4	-13	-29.4
1361	V	-43.44	-13	-30.44
515.1	V	-48.62	-13	-35.62
345.7	V	-50.24	-13	-37.24
2041.5	H	-43.01	-13	-30.01
1361	H	-42.17	-13	-29.17
564.5	H	-46.27	-13	-33.27
315.9	H	-51.06	-13	-38.06

**High channel**

Frequency (MHz)	Polarity (H/V)	Emission Level (dBm)	Limit (dBm)	Margin (dB)
2086.5	V	-41.45	-13	-28.45
1391	V	-41.03	-13	-28.03
546.6	V	-47.2	-13	-34.2
345.1	V	-49.37	-13	-36.37
2086.5	H	-41.41	-13	-28.41
1391	H	-41.02	-13	-28.02
534.2	H	-48.23	-13	-35.23
322.9	H	-47.16	-13	-34.16

**Note:** 1. Margin (dB) = Emission Level(dBm) -Limit(dBm)

Emission Level(dBm)= Measurement Reading(dBm)+Factor(dB)

Factor(dB) = ANT Gain -Cable Loss + Power Splitter

2. The test refers to the value of Factor, please refer to the results listed in the test method in this section of the report.
3. Radiated Spurious Emissions was Tested QPSK Modulation, Resource Block Size 1 and Resource Block Offset 0.
4. Below 30MHz, no spurious emission was found, and only the worst mode data above 30MHz is recorded in the report.

## **9 FREQUENCY STABILITY V.S. TEMPERATURE MEASUREMENT**

### **9.1 PROVISIONS APPLICABLE**

#### **9.1.1 For Hand carried battery powered equipment**

Frequency stability testing is performed in accordance with the guidelines of ANSI/TIA-603-E-2016.

The frequency stability of the transmitter is measured by:

- a.) Temperature: The temperature is varied from -10°C to +40°C in 10°C increments using an environmental chamber.
- b.) Primary Supply Voltage: The primary supply voltage is varied from 85% to 115% of the nominal value for non hand-carried battery and AC powered equipment. For hand-carried, battery-powered equipment, primary supply voltage is reduced to the battery operating end point which shall be specified by the manufacturer.

For Part 22, the frequency stability of the transmitter shall be maintained within  $\pm 0.00025\%$  ( $\pm 2.5$  ppm) of the center frequency. For Part 24 and Part 27, the frequency stability shall be sufficient to ensure that the fundamental emission stays within the authorized frequency block.

#### **9.1.2 For equipment powered by primary supply voltage**

1. The carrier frequency of the transmitter is measured at room temperature (20°C to provide a reference).
2. The equipment is turned on in a “standby” condition for fifteen minutes before applying power to the transmitter. Measurement of the carrier frequency of the transmitter is made within one minute after applying power to the transmitter.
3. Frequency measurements are made at 10°C intervals ranging from -10°C to +40°C. A period of at least one half-hour is provided to allow stabilization of the equipment at each temperature level.

### **9.2 MEASUREMENT METHOD**

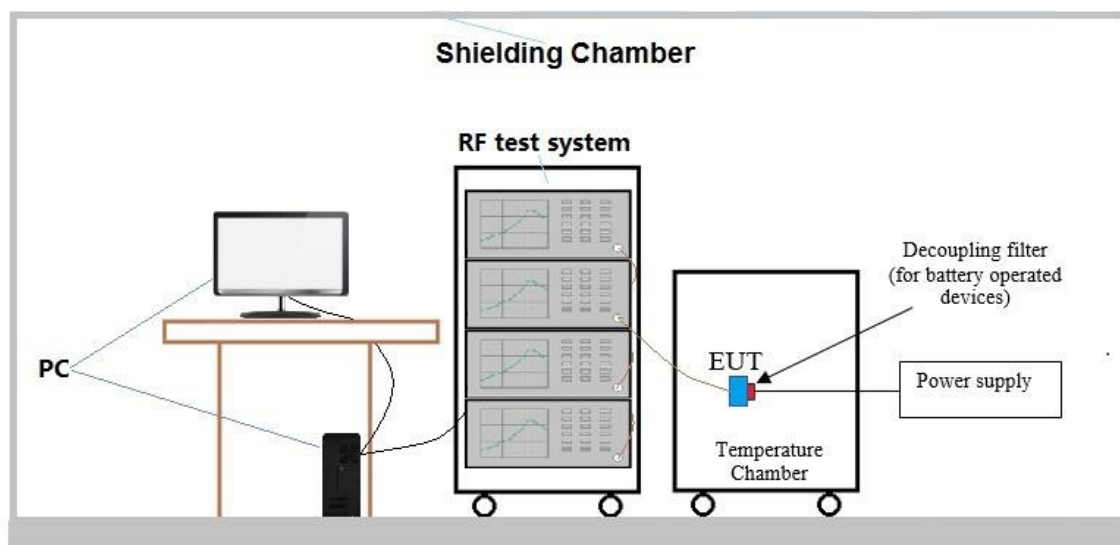
In order to measure the carrier frequency under the condition of AFC lock, it is necessary to make measurements with the EUT in a “call mode”. This is accomplished with the use of R&S CMW500 DIGITAL RADIO COMMUNICATION TESTER.

1. Measure the carrier frequency at room temperature.
2. Subject the EUT to overnight soak at -10°C. With the EUT, powered via nominal voltage, connected to the CMW500 and in a simulated call on channel 20175 for LTE band 4 measure the carrier frequency. These measurements should be made within 2 minutes of powering up the EUT, to prevent significant self-warming.
3. Repeat the above measurements at 10°C increments from -10°C to +40°C. Allow at least 1 1/2 hours at each temperature, unpowered, before making measurements.
4. Re-measure carrier frequency at room temperature with nominal voltage. Vary supply voltage from minimum voltage to maximum voltage, in 0.1 Volt increments re-measuring carrier frequency at each voltage. Pause at nominal voltage for 1 1/2 hours unpowered, to allow any self-heating to stabilize, before continuing.



5. Subject the EUT to overnight soak at  $+50^{\circ}\text{C}$ .
6. With the EUT, powered via nominal voltage, connected to the CMW500 and in a simulated call on the centre channel, measure the carrier frequency. These measurements should be made within 2 minutes of Powering up the EUT, to prevent significant self-warming.
7. Repeat the above measurements at  $10^{\circ}\text{C}$  increments from  $+50^{\circ}\text{C}$  to  $-20^{\circ}\text{C}$ . Allow at least 1 1/2 hours at each temperature, unpowered, before making measurements.
8. At all temperature levels hold the temperature to  $\pm 0.5^{\circ}\text{C}$  during the measurement procedure.

### 9.3 MEASUREMENT SETUP



## 9.4 TEST RESULT

### LTE Band 2 part:

Reference Frequency: LTE Band 2 (10MHz) Middle channel=18900 Frequency=1880.0MHz					
Temperature					
Power supplied (Vdc)	Temperature (°C)	Frequency error		Limit (ppm)	Result
		Hz	ppm		
QPSK					
24	-30	-4.99	-0.002654	Within authorized band for Band 2	Pass
	-20	-5.69	-0.003027		
	-10	-5.39	-0.002867		
	0	-5.93	-0.003154		
	10	-5	-0.002660		
	20	-4.6	-0.002447		
	30	-4.49	-0.002388		
	40	-2.25	-0.001197		
	50	-2.74	-0.001457		
16QAM					
24	-30	-5.92	-0.00392	Within authorized band for Band 2	Pass
	-20	-3.46	-0.002612		
	-10	-5.12	-0.003495		
	0	-5.83	-0.003872		
	10	-5.96	-0.003941		
	20	-2.94	-0.002335		
	30	6.4	0.002633		
	40	-2.94	-0.002335		
	50	-5.54	-0.003718		

Voltage					
Temperature (°C)	Power supplied (Vdc)	Frequency error		Limit (ppm)	Result
		Hz	ppm		
QPSK					
25	3.33	-6.69	-0.003559	Within authorized band for Band 2	Pass
	3.70	-5.79	-0.003080		
	4.07	-6.22	-0.003309		
16QAM					
25	3.33	6.49	0.003452	Within authorized band for Band 2	Pass
	3.70	6.96	0.003702		
	4.07	6.09	0.003239		
<i>Note: Only the worst case shown in the report.</i>					

## LTE Band 4 part:

Reference Frequency: LTE Band 4(10MHz) Middle channel=20175 Frequency=1732.5MHz					
Temperature					
Power supplied (Vdc)	Temperature (°C)	Frequency error		Limit (ppm)	Result
		Hz	ppm		
QPSK					
24	-30	5.42	0.003128	Within authorized band for Band 4	Pass
	-20	5.38	0.003105		
	-10	-4.33	-0.002499		
	0	6.43	0.003711		
	10	6.24	0.003602		
	20	5	0.002886		
	30	5.05	0.002915		
	40	4.92	0.002840		
	50	-8.28	-0.004779		
16QAM					
24	-30	-6.27	-0.00392	Within authorized band for Band 4	Pass
	-20	6.34	-0.002612		
	-10	-5.87	-0.003495		
	0	6.67	-0.003872		
	10	-4.87	-0.003941		
	20	7.22	-0.002335		
	30	-4.71	0.002633		
	40	-4.17	-0.002335		
	50	-4.4	-0.003718		

Voltage					
Temperature (°C)	Power supplied (Vdc)	Frequency error		Limit (ppm)	Result
		Hz	ppm		
QPSK					
25	3.33	-2.37	-0.001368	Within authorized band for Band 4	Pass
	3.70	5.86	0.003382		
	4.07	-3.99	-0.002303		
16QAM					
25	3.33	6.39	0.003688	Within authorized band for Band 4	Pass
	3.70	6.96	0.004017		
	4.07	6.7	0.003867		
<i>Note: Only the worst case shown in the report.</i>					

## LTE Band 5 part:

Reference Frequency: LTE Band 5(10MHz) Middle channel=20525 Frequency=836.5MHz					
Temperature					
Power supplied (Vdc)	Temperature (°C)	Frequency error		Limit (ppm)	Result
		Hz	ppm		
QPSK					
24	-30	-0.59	-0.000705	Within authorized band for Band 5	Pass
	-20	5.56	0.006647		
	-10	-1.75	-0.002092		
	0	4.99	0.005965		
	10	-0.48	-0.000574		
	20	-0.41	-0.000490		
	30	-2.46	-0.002941		
	40	-2.32	-0.002773		
	50	-2.15	-0.002570		
16QAM					
24	-30	-0.69	-0.00392	Within authorized band for Band 5	Pass
	-20	-0.92	-0.002612		
	-10	-0.81	-0.003495		
	0	-1.66	-0.003872		
	10	-1.06	-0.003941		
	20	-3.19	-0.002335		
	30	-3.46	0.002633		
	40	-0.48	-0.002335		
	50	5.56	-0.003718		

Voltage					
Temperature (°C)	Power supplied (Vdc)	Frequency error		Limit (ppm)	Result
		Hz	ppm		
QPSK					
25	3.33	-2.46	-0.002941	Within authorized band for Band 5	Pass
	3.70	-2.56	-0.003060		
	4.07	-3.06	-0.003658		
16QAM					
25	3.33	-0.9	-0.001076	Within authorized band for Band 5	Pass
	3.70	4.77	0.005702		
	4.07	-1.04	-0.001243		
<i>Note: Only the worst case shown in the report.</i>					

**LTE Band 12 part:**

Reference Frequency: LTE Band 12(10MHz) Middle channel=23095 Frequency=707.5MHz					
Temperature					
Power supplied (Vdc)	Temperature (°C)	Frequency error		Limit (ppm)	Result
		Hz	ppm		
QPSK					
24	-30	-2.06	-0.002912	Within authorized band for Band 12	Pass
	-20	-1.22	-0.001724		
	-10	-2.36	-0.003336		
	0	-0.49	-0.000693		
	10	-0.78	-0.001102		
	20	-1	-0.001413		
	30	8.02	0.011336		
	40	-1.15	-0.001625		
	50	7.51	0.010615		
16QAM					
24	-30	6.43	0.009088	Within authorized band for Band 12	Pass
	-20	4.99	0.007053		
	-10	-0.63	-0.000890		
	0	0	0.000000		
	10	-0.85	-0.001201		
	20	-2.21	-0.003124		
	30	7.69	0.010869		
	40	-1.32	-0.001866		
	50	-0.73	-0.001032		



Voltage					
Temperature (°C)	Power supplied (Vdc)	Frequency error		Limit (ppm)	Result
		Hz	ppm		
QPSK					
25	3.33	-1.01	-0.001428	Within authorized band for Band 12	Pass
	3.70	-2.04	-0.002883		
	4.07	-4.15	-0.005866		
16QAM					
25	3.33	-1.22	-0.001724	Within authorized band for Band 12	Pass
	3.70	-1.26	-0.001781		
	4.07	5.45	0.007703		
<i>Note: Only the worst case shown in the report.</i>					

**LTE Band 13 part:**

Reference Frequency: LTE Band 13(10MHz) Middle channel=23230 Frequency=782MHz					
Temperature					
Power supplied (Vdc)	Temperature (°C)	Frequency error		Limit (ppm)	Result
		Hz	ppm		
QPSK					
24	-30	-4.87	-0.006228	Within authorized band for Band 13	Pass
	-20	-2.17	-0.002775		
	-10	-3.63	-0.004642		
	0	-2.5	-0.003197		
	10	-3.71	-0.004744		
	20	5.87	0.007506		
	30	4.84	0.006189		
	40	-1.38	-0.001765		
	50	4.63	0.005921		
16QAM					
24	-30	-3.5	-0.004476	Within authorized band for Band 13	Pass
	-20	-4.74	-0.006061		
	-10	6.29	0.008043		
	0	6.14	0.007852		
	10	7.74	0.009898		
	20	4.57	0.005844		
	30	-2.18	-0.002788		
	40	4.26	0.005448		
	50	-3.23	-0.004130		

Voltage					
Temperature (°C)	Power supplied (Vdc)	Frequency error		Limit (ppm)	Result
		Hz	ppm		
QPSK					
25	3.33	6.94	0.008875	Within authorized band for Band 13	Pass
	3.70	6.31	0.008069		
	4.07	8.4	0.010742		
16QAM					
25	3.33	6.13	0.007839	Within authorized band for Band 13	Pass
	3.70	-2.16	-0.002762		
	4.07	7.72	0.009872		
<i>Note: Only the worst case shown in the report.</i>					

**LTE Band 14 part:**

Reference Frequency: LTE Band 14(10MHz) Middle channel=23330 Frequency=793MHz					
Temperature					
Power supplied (Vdc)	Temperature (°C)	Frequency error		Limit (ppm)	Result
		Hz	ppm		
QPSK					
24	-30	-3.69	-0.004653	Within authorized band for Band 14	Pass
	-20	-0.99	-0.001248		
	-10	-2.45	-0.003090		
	0	-1.32	-0.001665		
	10	-2.53	-0.003190		
	20	7.05	0.008890		
	30	6.02	0.007591		
	40	-0.2	-0.000252		
	50	5.81	0.007327		
16QAM					
24	-30	-2.32	-0.002926	Within authorized band for Band 14	Pass
	-20	-3.56	-0.004489		
	-10	7.47	0.009420		
	0	7.32	0.009231		
	10	8.92	0.011248		
	20	5.75	0.007251		
	30	-1	-0.001261		
	40	5.44	0.006860		
	50	-2.05	-0.002585		

Voltage					
Temperature (°C)	Power supplied (Vdc)	Frequency error		Limit (ppm)	Result
		Hz	ppm		
QPSK					
25	3.33	5.76	0.007264	Within authorized band for Band 14	Pass
	3.70	5.13	0.006469		
	4.07	7.22	0.009105		
16QAM					
25	3.33	4.95	0.006242	Within authorized band for Band 14	Pass
	3.70	-3.34	-0.004212		
	4.07	6.54	0.008247		
<i>Note: Only the worst case shown in the report.</i>					

**LTE Band 66 part:**

Reference Frequency: LTE Band 66(10MHz) Middle channel=132322 Frequency=1745MHz					
Temperature					
Power supplied (Vdc)	Temperature (°C)	Frequency error		Limit (ppm)	Result
		Hz	ppm		
QPSK					
24	-30	-3.66	-0.00392	Within authorized band for Band 66	Pass
	-20	-0.96	-0.002612		
	-10	-2.42	-0.003495		
	0	-1.29	-0.003872		
	10	-2.5	-0.003941		
	20	7.08	-0.002335		
	30	6.05	0.002633		
	40	-0.17	-0.002335		
	50	5.84	-0.003718		
16QAM					
24	-30	-2.29	-0.00392	Within authorized band for Band 66	Pass
	-20	-3.53	-0.002612		
	-10	7.5	-0.003495		
	0	7.35	-0.003872		
	10	8.95	-0.003941		
	20	5.78	-0.002335		
	30	-0.97	0.002633		
	40	5.47	-0.002335		
	50	-2.02	-0.003718		

Voltage					
Temperature (°C)	Power supplied (Vdc)	Frequency error		Limit (ppm)	Result
		Hz	ppm		
QPSK					
25	3.33	5.63	0.003226	Within authorized band for Band 66	Pass
	3.70	5	0.002865		
	4.07	7.09	0.004063		
16QAM					
25	3.33	4.82	0.002762	Within authorized band for Band 66	Pass
	3.70	-3.47	-0.001989		
	4.07	6.41	0.003673		
<i>Note: Only the worst case shown in the report.</i>					

**LTE Band 71 part:**

Reference Frequency: LTE Band 71(10MHz) Middle channel=133297 Frequency=680.5MHz					
Temperature					
Power supplied (Vdc)	Temperature (°C)	Frequency error		Limit (ppm)	Result
		Hz	ppm		
QPSK					
24	-30	-3.91	-0.00392	Within authorized band for Band 71	Pass
	-20	-1.21	-0.002612		
	-10	-2.67	-0.003495		
	0	-1.54	-0.003872		
	10	-2.75	-0.003941		
	20	6.83	-0.002335		
	30	5.8	0.002633		
	40	-0.42	-0.002335		
	50	5.59	-0.003718		
16QAM					
24	-30	-2.54	-0.00392	Within authorized band for Band 71	Pass
	-20	-3.78	-0.002612		
	-10	7.25	-0.003495		
	0	7.1	-0.003872		
	10	8.7	-0.003941		
	20	5.53	-0.002335		
	30	-1.22	0.002633		
	40	5.22	-0.002335		
	50	-2.27	-0.003718		



Voltage					
Temperature (°C)	Power supplied (Vdc)	Frequency error		Limit (ppm)	Result
		Hz	ppm		
QPSK					
25	3.33	5.63	0.003226	Within authorized band for Band 71	Pass
	3.70	5	0.002865		
	4.07	7.09	0.004063		
16QAM					
25	3.33	4.82	0.002762	Within authorized band for Band 71	Pass
	3.70	-3.47	-0.001989		
	4.07	6.41	0.003673		
<i>Note: Only the worst case shown in the report.</i>					

## **10 FREQUENCY STABILITY V.S. VOLTAGE MEASUREMENT**

### **10.1 MEASUREMENT SETUP**

Refer to 9.3

### **10.2 TEST PROCEDURE**

1. Set chamber temperature to 25°C. Use a variable DC power source to power the EUT and set the voltage to rated voltage.
2. Set the spectrum analyzer RBW low enough to obtain the desired frequency resolution and recorded the frequency. Reduce the input voltage to specify extreme voltage variation (+/- 15%) and endpoint, record the maximum frequency change.

### **10.3 TEST RESULT**

Refer to 9.4

## 11 BAND EDGE

### 11.1 MEASUREMENT OVERVIEW

All out of band emissions are measured with a spectrum analyzer connected to the antenna terminal of the EUT while the EUT is operating at its maximum duty cycle, at maximum power, and at the appropriate frequencies. All data rates were investigated to determine the worst case configuration. All modes of operation were investigated and the worst case configuration results are reported in this section.

### 11.2 MEASUREMENT METHOD

1. Start and stop frequency were set such that the band edge would be placed in the center of the plot
2. Span was set large enough so as to capture all out of band emissions near the band edge
3. RBW > 1% of the emission bandwidth
4. VBW > 3 x RBW
5. Detector = RMS
6. Number of sweep points  $\geq 2 \times \text{Span/RBW}$
7. Trace mode = trace average
8. Sweep time = auto couple
9. The trace was allowed to stabilize

### TEST NOTE

§90.543(e)

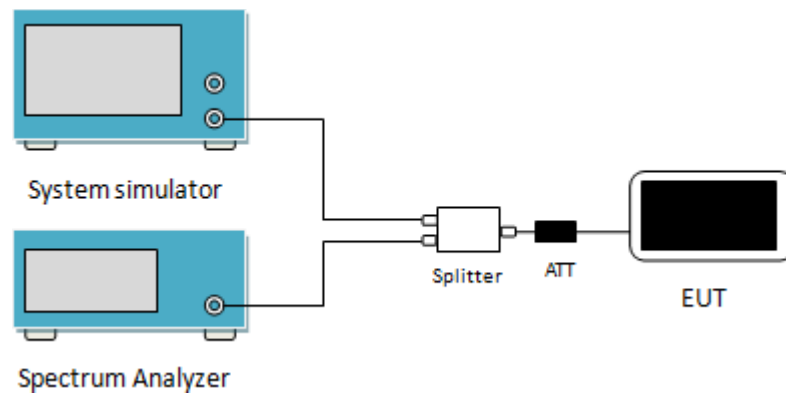
1. On all frequencies between 769-775 MHz and 799-805 MHz, by a factor not less than  $76 + 10 \log (P)$  dB in a 6.25 kHz band segment, for base and fixed stations.
2. On all frequencies between 769-775 MHz and 799-805 MHz, by a factor not less than  $65 + 10 \log (P)$  dB in a 6.25 kHz band segment, for mobile and portable stations.
3. On any frequency between 775-788 MHz, above 805 MHz, and below 758 MHz, by at least  $43 + 10 \log (P)$  dB.
4. Compliance with the provisions of paragraphs (e)(1) and (2) of this section is based on the use of measurement instrumentation such that the reading taken with any resolution bandwidth setting should be adjusted to indicate spectral energy in a 6.25 kHz segment.
5. Compliance with the provisions of paragraph (e)(3) of this section is based on the use of measurement instrumentation employing a resolution bandwidth of 100 kHz or greater.  
However, in the 100 kHz bands immediately outside and adjacent to the frequency block, a resolution bandwidth of 30kHz may be employed.

According to FCC 22.917, 24.238, 27.53 specified that power of any emission outside of The authorized operating frequency ranges must be attenuated below the transmitting power (P) by a factor of at least  $43 + 10 \log(P)$  dB. In the 1 MHz bands immediately outside and adjacent to the frequency block a resolution bandwidth of at least one percent of the emission bandwidth of the

fundamental emission of the transmitter may be employed. All measurements were done at 2 channels (low and high operational frequency range.)

The band edge measurement used the power splitter via EUT RF power connector between simulation base station and spectrum analyzer.

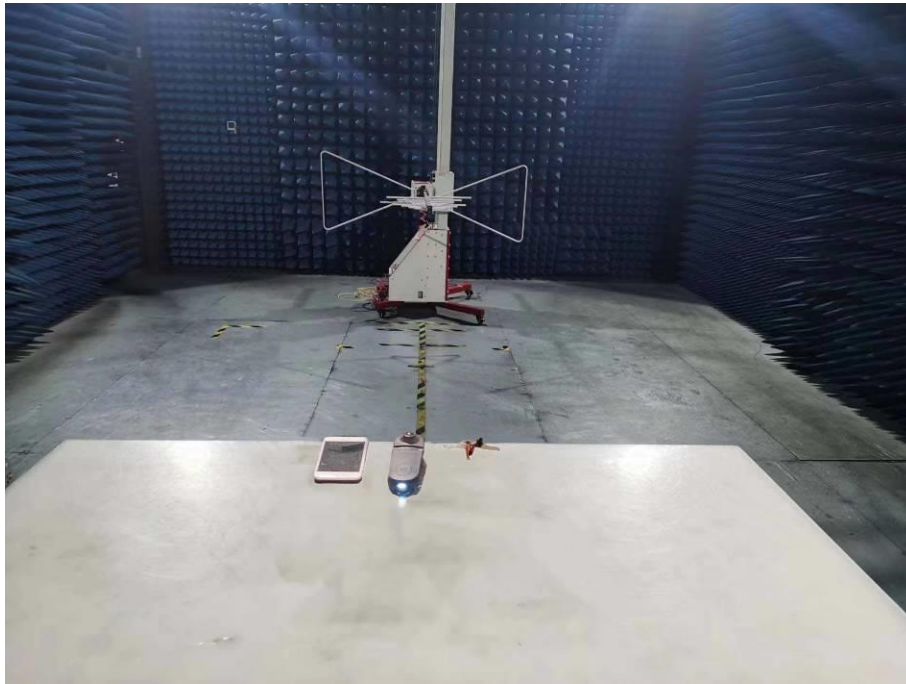
### 11.3 MEASUREMENT METHOD



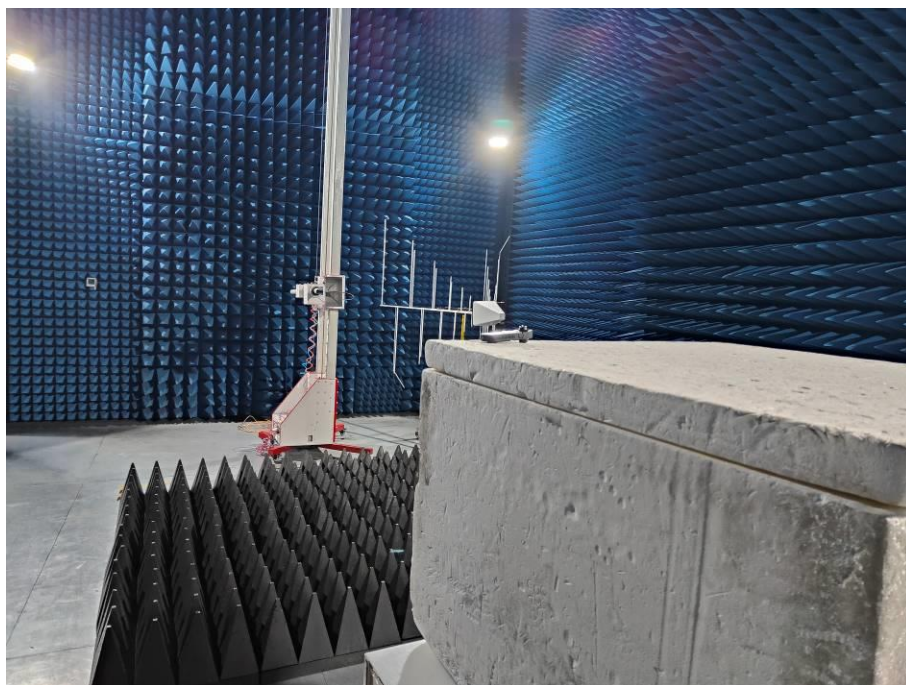
### 11.4 TEST RESULT

Please refer to Appendix

**12 PHOTO OF TEST  
RADIATED EMISSION**

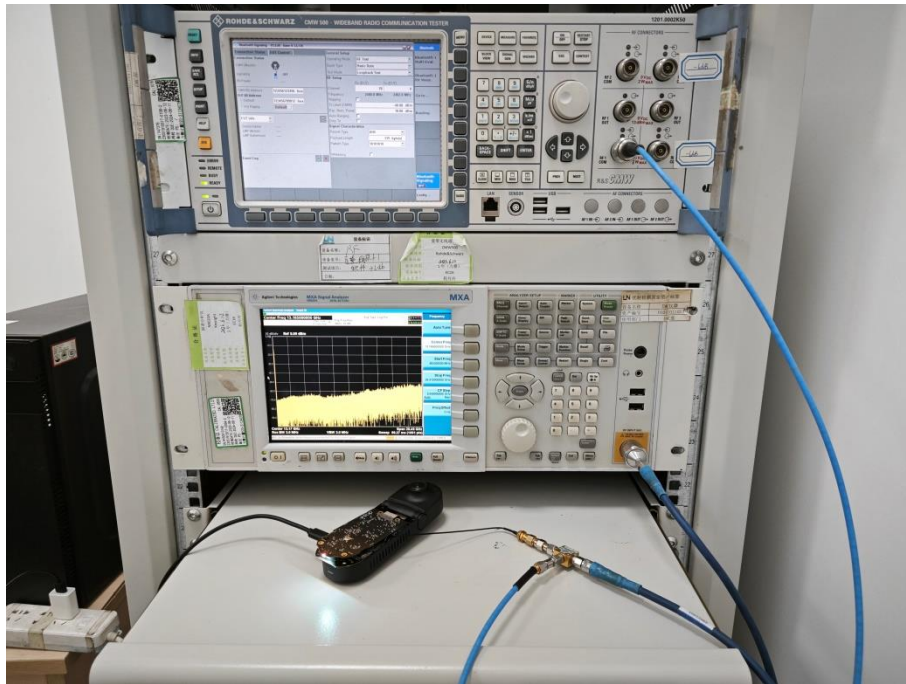


30MHz-1000MHz



Above 1GHz

### RF Conducted



\*\*\*End of Report\*\*\*