

AQUASKY RGB II 60

⚠ CAUTION

- Be cautious not to drop this product into water or off the ground.
- Keep the Lighting Unit, control unit, AC adapter, and Power Supply Plug away from water. This product is not waterproofed.
- Water running down the power plug can cause fire or electric shock. In case of using an electrical outlet located below the aquarium, it's recommended to use Power Cord S-70 (optional) to keep the electrical outlet away from water.
- Do NOT leave the Lighting Unit directly on the floor or any places other than an aquarium tank during use.
- Do NOT use this product with a dimmer. Dimming must be performed via the application.
- The lighting unit becomes hot due to heat radiation during use. It is not a malfunction of the product.
- The lighting unit, control unit, and AC adapter become very hot during lighting period and will remain hot for a while after the light turns off. Wait until they cool off before handling them. Never touch the top surface (radiation fin) and ballast of the lighting unit until they cool down, since they can become extremely hot.
- LED light of the lighting unit is not replaceable.
- Do NOT use any kind of adhesion tape on this product nor expose the product to direct sunlight. It can cause discoloration or deterioration of the product.
- Do NOT use this product in a place with poor electrical connections. It may cause flickering light or black out.
- Do NOT use this product near a radio or television. It can cause noise problems.
- Do NOT pull the Power Supply Cord while unplugging this product. Always hold AC adapter or Power Plug when plugging it off.
- Always unplug the Power Plug before maintenance.
- Do not attempt to disassemble or modify the product. If the product is serviced by another company or if a modification is made to the product, ADA will not accept the product for repair.
- The supplied Power Supply Cord is designed exclusively for the AC adapter of this product. Do not use any power cord other than the supplied Power Supply Cord for the AC adapter of this product. Use of any power cord other than the supplied cord may cause damage to the product. Do not use the supplied Power Supply Cord with anything other than this product.
- The illumination intensity of this product can be adjusted using the dedicated application. Continued illumination at the maximum illuminance may reduce the durability of the components.

1. Product Features of AQUASKY RGB II 60

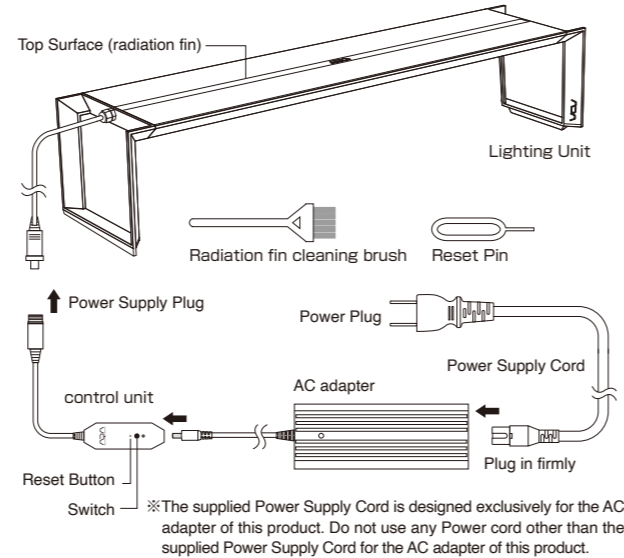
AQUASKY RGBII60 is a LED lighting system for aquatic plants with special RGB LED chips adopted to the light source. In the initial mode, because each wavelength output of the three primary colors of light, such as red (R), green (G) and blue (B) is

optimized for planted aquariums, healthy aquatic plants grow, and it enables to achieve colorful and beautiful aquascapes. In addition, various controls, such as dimming and timer settings, can be performed by using ADA Controller, the dedicated application. The newly adopted soft lighting mode allows gentle control of not only lights on but also lights off.

Compatible Aquarium Tank:
 Cube Garden W60xD30xH36 (cm) • Glass thickness 6mm
 Cube Garden W60 x D30 x H25 (cm) Glass thickness 5mm
 Cube Garden W60 x D30 x H36 (cm) Glass thickness 6mm
 Cube Garden W60 x D30 x H45 (cm) Glass thickness 6mm
 Cube Garden W60 x D45 x H36 (cm) Glass thickness 6mm

The leg of the lighting unit is installed in a way that it hangs on the outside of the aquarium. Therefore, it can be installed to a W60 aquarium regardless of the thickness of the glass.

2. Names of Product Parts



3. Operating instruction

without the dedicated application

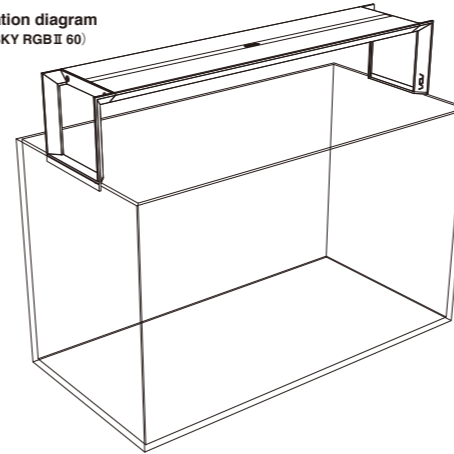
- Install the lighting unit on the corresponding Cube Garden as shown in the figure.
- Be cautious not to drop the unit into the water during installation.
- Connect the control unit and AC adapter to the Lighting Unit. Plug the AC adapter's power plug into an electrical outlet and turn on the Power Supply Switch for lighting. To turn off the light, switch off the Power Supply Switch.

with the ADA controller application

- ① Download the ADA controller to your smartphone or tablet.
- ② Connect the control unit and AC adapter to the lighting unit, and plug the AC adapter's power plug into an outlet.
- ③ Open the ADA controller and connect.
- ④ Press the reset button for at least 5 seconds and then release it to return to the initial mode.



Installation diagram (AQUASKY RGB II 60)



中文

●安全注意事项

※在使用本产品前, 请仔细阅读以下注意事项。
 不遵守以下注意事项的话, 有可能会发生触电, 火灾或烧伤等重大事故。

⚠ 警告

- 请绝对不要对产品进行分解、改造等。否则有可能造成火灾、触电、故障等事故的发生。
- 不慎将本产品掉落在地面上等, 使灯体受到剧烈撞击后, 请停止使用。否则有可能造成火灾、触电、故障等事故的发生。
- 请在室内使用本产品。请一定不要在室外使用。即使是在室内, 也不要安装在湿度高, 灰尘多的地方。
- 请不要在产品使用环境温度规定以外的情况下使用。此外, 请不要使用于阳光直射的地方、湿度极高的地方、有振动的地方或直接与水、雨、风相接触的地方。否则有可能发生火灾、触电、故障等事故。
- 使用时请注意不要使产品沾到水。否则有可能发生触电、故障等事故。产品沾到水后, 请停止使用。
- 请绝对不要用湿手插入或拔出电源插头。否则有触电的危险。
- 请不要在产品上覆盖布或纸类等易燃物。请不要在易燃物的周围使用本产品。否则有可能引起火灾等事故发生。
- 请不要在产品的缝隙处插入金属类或易燃物。否则有可能发生火灾、触电、故障等事故。
- 电源线的绝缘部分, 请一定要注意不要被刀具等划伤。绝缘线出现破损的话, 会导致漏电、触电、火灾等事故发生。
- 由于产品安装或使用方法错误; 或者由于改造产品、不正确的电源连接方式等原因导致的产品故障, 不在弊公司保修范围内。
- 严禁强行弯曲、拧、拉电源线。否则有可能导致电源线破损, 引发火灾、触电等事故发生。
- 电源线损坏后 (露出芯线、断线等情况), 请立即停止使用。继续使用会导致火灾、触电等重大事故发生。
- 控制器、AC电源和电源插头等, 如果沾水, 可能导致火灾、漏电等事故发生。如果电源插线板的位置低于鱼缸, 请将连接后的电源线下垂, 电源线最低的位置必须低于控制器、AC电源和电源插头。
- 在开灯的状态下, 请一定不要直视LED。
- 请不要使用于孩子的手可以摸得到的地方。否则有触电、受伤的危险。
- 控制器、AC电源的安装与卸下, 都必须在电源插头拔下一段时间后进行。否则会有火花飞溅的危险。

⚠ 注意

- 请一定要注意本产品不要掉落在水中或沾到水等。
- 请一定不要让灯体、控制器、AC电源、电源插头等沾到水。本产品没有防水功能。
- 如果沾到水, 水会顺着电线流到电源插头处, 导致火灾、触电等重大事故发生。如果电源插线板的位置低于鱼缸, 推荐使用带外壳的智能控制插排S-70 (另售)。
- 请不要把正在通电的灯体直接放在地上或其他位置。
- 本产品仅能通过专用APP调光。
- 通电时, 灯体因为发热, 表面温度较高。这是正常现象。
- 灯体、控制器及AC电源, 在通电使用中和关闭电源后的短时间内, 温度较高。请一定要等其完全冷却后, 再进行相关操作, 否则可能有烫伤的危险。特别是灯体表面(散热片)的温度很高。在冷却之前, 请一定不要触摸。
- LED灯珠无法进行更换。
- 请不要在灯体上粘贴胶带或让阳光直射灯体。否则有变色或老化的危险。
- 请不要在电压不稳的场所使用。否则有可能导致灯光闪烁、灭灯的情况发生。
- 产品的周围请不要使用收音机、电视等产品。否则有可能会有噪音。
- 拔掉电源时, 禁止直接拉电源线, 请手持电源插头拔掉, 以免造成产品损坏。
- 清洁时请一定拔掉电源。
- 如果产品需要修理, 请与购买店联系。为了避免运输途中的损坏, 请包装好再发。
- 本产品附带的电源线, 是连接本产品AC电源的专用电源线。请一定要使用专用电源线连接AC电源。严禁使用本产品附带之外的电源线, 否则有可能导致事故或产品故障的发生。此外, 请一定不要使用本产品中附带的电源线连接其他产品。
- 使用专用APP可以调光, 改变亮度。如果持续使用最大亮度, 产品的耐久性有降低的可能。

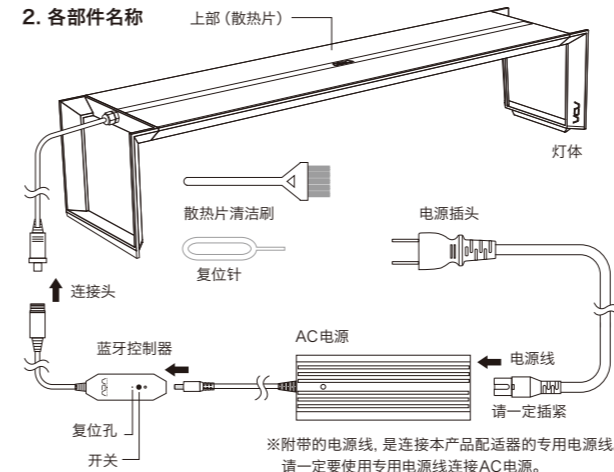
1. 水之天空RGB II 的特长

本产品是一款培育水草的专业LED照明器具。采用了特殊的RGB LED灯珠, 初始设置的R (红)、G (绿)、B (蓝), 这光的三原色的波长最适用于水草造景。不仅水草生长健康, 颜色鲜艳, 水景也更加美丽。无论是开灯, 还是关灯, 都采用了缓启动功能。使用名为“ADA controller”的专用APP还可以设定时间, 调节光亮等。

灯体支架设计独特, 适用于玻璃厚度为5mm及6mm, 长度为60cm的所有ADA水晶缸和超白玻璃方形鱼缸。

- 适用于玻璃厚度为5mm的超白玻璃方形鱼缸W60×D30×H25 (cm)
- 适用于玻璃厚度为6mm的超白玻璃方形鱼缸W60×D30×H36 (cm)
- 适用于玻璃厚度为6mm的超白玻璃方形鱼缸W60×D30×H45 (cm)
- 适用于玻璃厚度为6mm的超白玻璃方形鱼缸W60×D45×H36 (cm)

2. 各部件名称



4. Product Specification

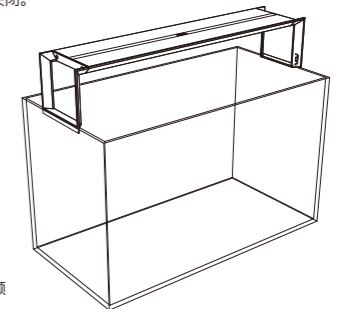
Input voltage	AC100 ~ 240V 50 / 60Hz
Rated Power	108W
Power consumption	0 to 66W
Illuminance	0 to 40,000Lux
Color temperature	Default setting mode approx. Around 9,000~12,000K (Due to the nature of LED lighting, there are variations in color temperature.)
LED	RGB LED x 70
LED lifetime	Over 30,000hrs (subject to operating environment)
Operating temperature range	0~35°C

3. 使用方法

- 如图, 直接放置在适用的鱼缸上。
- 安装时请注意不要掉落到水中。
- 连接灯体, 控制器和AC电源。插好电源插头后, 将控制器上的按钮按下通电, LED灯亮起再按一次开关弹起, LED灯关闭。

专用APP的使用方法

- ① 下载专用APP“ADA controller”。
- ② 在产品通电的情况下。
- ③ 打开APP, 可以进行各种操作
- ④ 长按重置键5秒, 可以回到初始设置。



使用示例: AQUASKY RGB II 60

4. 产品规格

电压	AC100 ~ 240V 50 / 60Hz
额定功率	108W
使用功率	0 ~ 66W
照度 (距离10cm的垂直距离)	0 ~ 40,000 Lux
色温	初始设置约9,000 ~ 12,000K (因为LED的特征, 色温会出现些许浮动)
LED	RGB-LED 1灯珠 x 70
LED寿命	30,000小时以上 (根据使用情况可能出现变化)
使用环境温度	0~35°C

90x128mm

CAUTION: Changes or Modifications not expressly approved by the party responsible could void the user's authority to operate this device.

This device complies with part 15 of the FCC Rules. Operation is subject to the following two conditions: (1) This device may not cause harmful interference, and (2) this device must accept any interference received, including interference that may cause undesired operation.

NOTE: This equipment has been tested and found to comply with the limits for a Class B digital device, pursuant to part 15 of the FCC Rules. These limits are designed to provide reasonable protection against harmful interference in a residential installation. This equipment generates, uses and can radiate radio frequency energy and, if not installed and used in accordance with the instructions, may cause harmful interference to radio communications. However, there is no guarantee that interference will not occur in a particular installation. If this equipment does cause harmful interference to radio or television reception, which can be determined by turning the equipment off and on, the user is encouraged to try to correct the interference by one or more of the following measures:

- Reorient or relocate the receiving antenna.
- Increase the separation between the equipment and receiver.
- Connect the equipment into an outlet on a circuit different from that to which the receiver is connected.
- Consult the dealer or an experienced radio/TV technician for help.

This equipment complies with FCC radiation exposure limits set forth for an uncontrolled environment. It should be installed and operated with minimum distance 20cm between the radiator & your body.