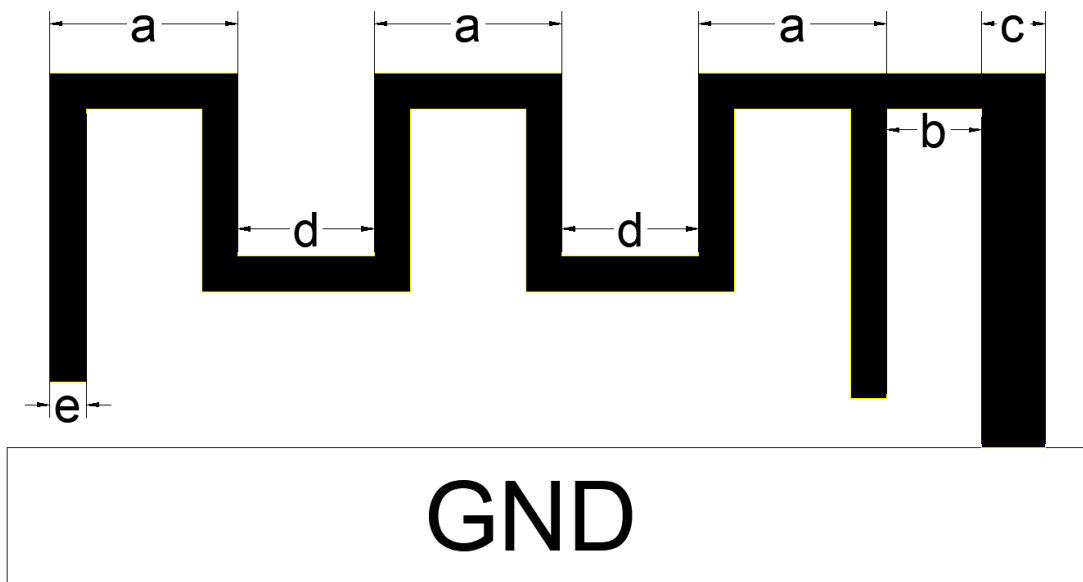


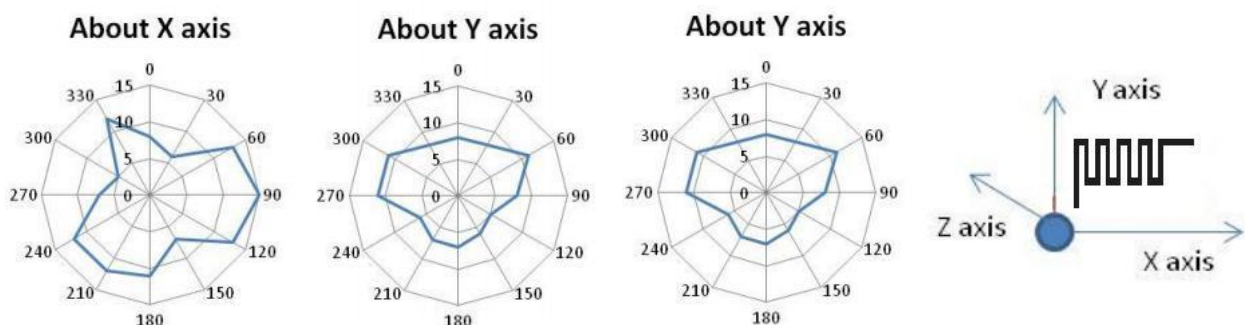
## 2.4 GHZ MIFA Antenna specification

1. Type of antenna: On-board antenna MIFA
2. Frequency: 2.4GHz
3. Design by: Shenzhen kingminson Electronic Co., Ltd.
4. Address: 4F, Building A, Ao'de Industrial Park, Gongming Town, Guangming New District, Shenzhen, Guangdong
5. Dimensions:

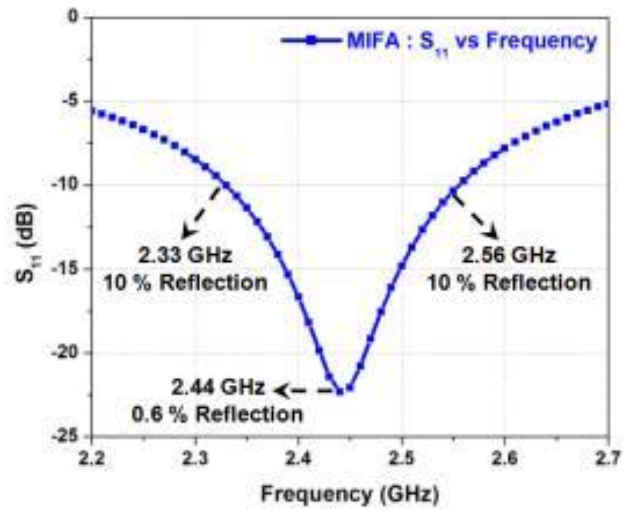


a	2.73mm
b	1.37mm
c	0.93mm
d	1.97mm
e	0.53mm

## 5. Radiation gain diagram



## 5. S11 figure



## 7. Gain and Efficiency

Frequency (MHz)	Efficiency (%)	Gain(dBi)
2400	32.32%	2.18
2410	32.12%	2.15
2420	32.86%	2.20
2430	32.74%	2.03
2440	32.63%	2.05
2450	31.20%	2.01
2460	30.76%	2.04
2470	30.59%	1.97
2480	31.02%	1.93
2490	30.53%	1.79

2500	30.62%	1.28
------	--------	------