

6

5

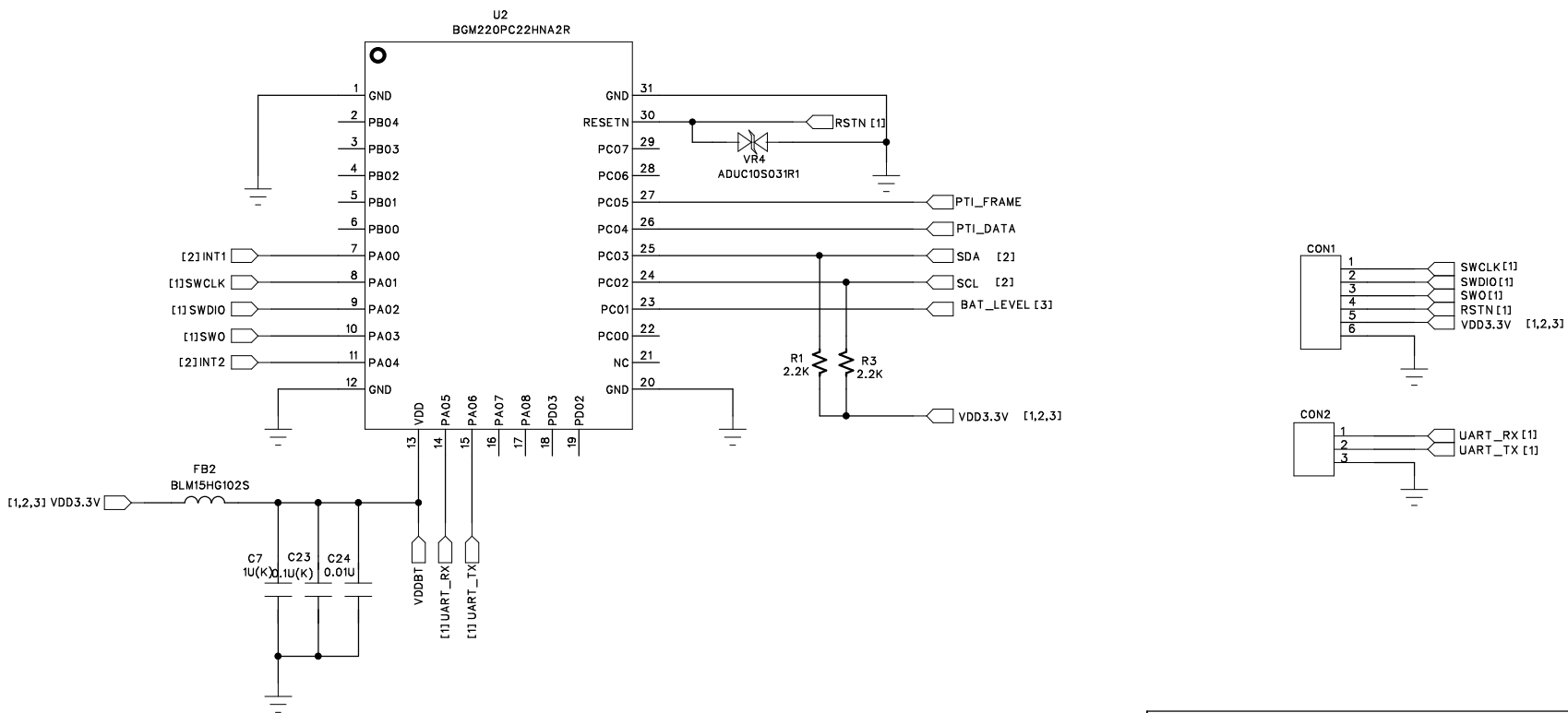
4

3

2

1

REVISION RECORD			
LTR	ECO NO:	APPROVED:	DATE:



COMPANY:

TITLE: BLE

DRAWN: KGLEE	DATED: 2022-12-07
CHECKED:	DATED:
QUALITY CONTROL:	DATED:
RELEASED:	DATED: 2022-12-

CODE: L1	SIZE: A3	DRAWING NO: BLE_TAG_V4.1_220916.sch	REV: 0.0
----------	----------	-------------------------------------	----------

6

5

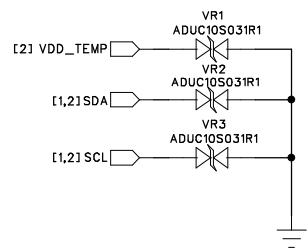
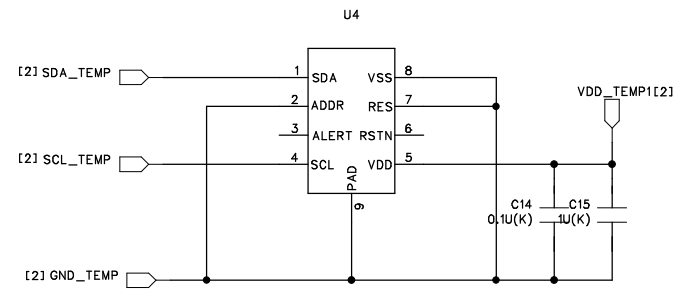
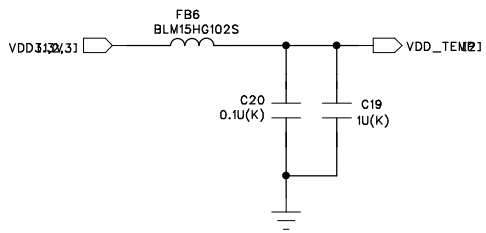
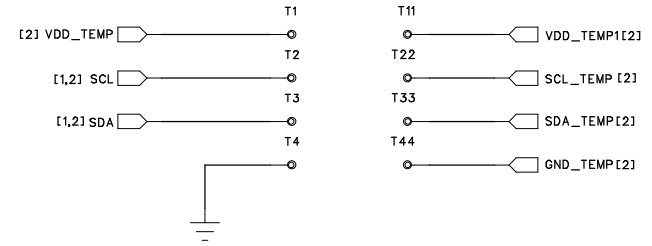
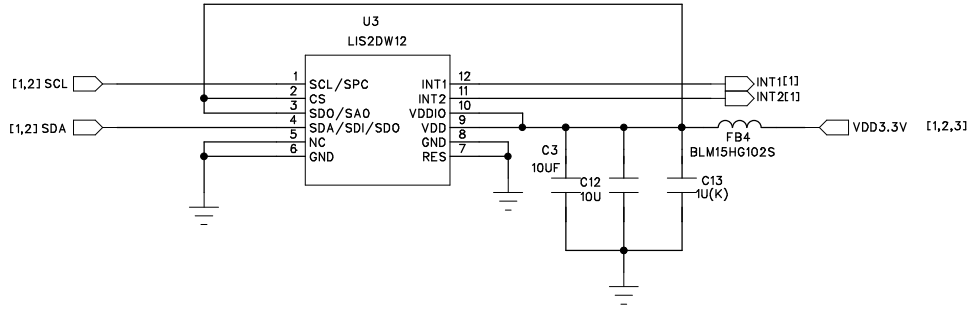
4

3

2

1

REVISION RECORD			
LTR	ECO NO:	APPROVED:	DATE:



COMPANY:

TITLE: SENSOR

DRAWN: KGLEE	DATED: 2022-12-07
CHECKED:	DATED:
QUALITY CONTROL:	DATED:
RELEASED:	DATED: 2022-12-

CODE: L1	SIZE: A3	DRAWING NO: BLE_TAG_V4.1_220916.sch	REV: 0.0
SCALE:			SHEET: 2 OF 4

D

D

C

C

B

B

A

A

6

5

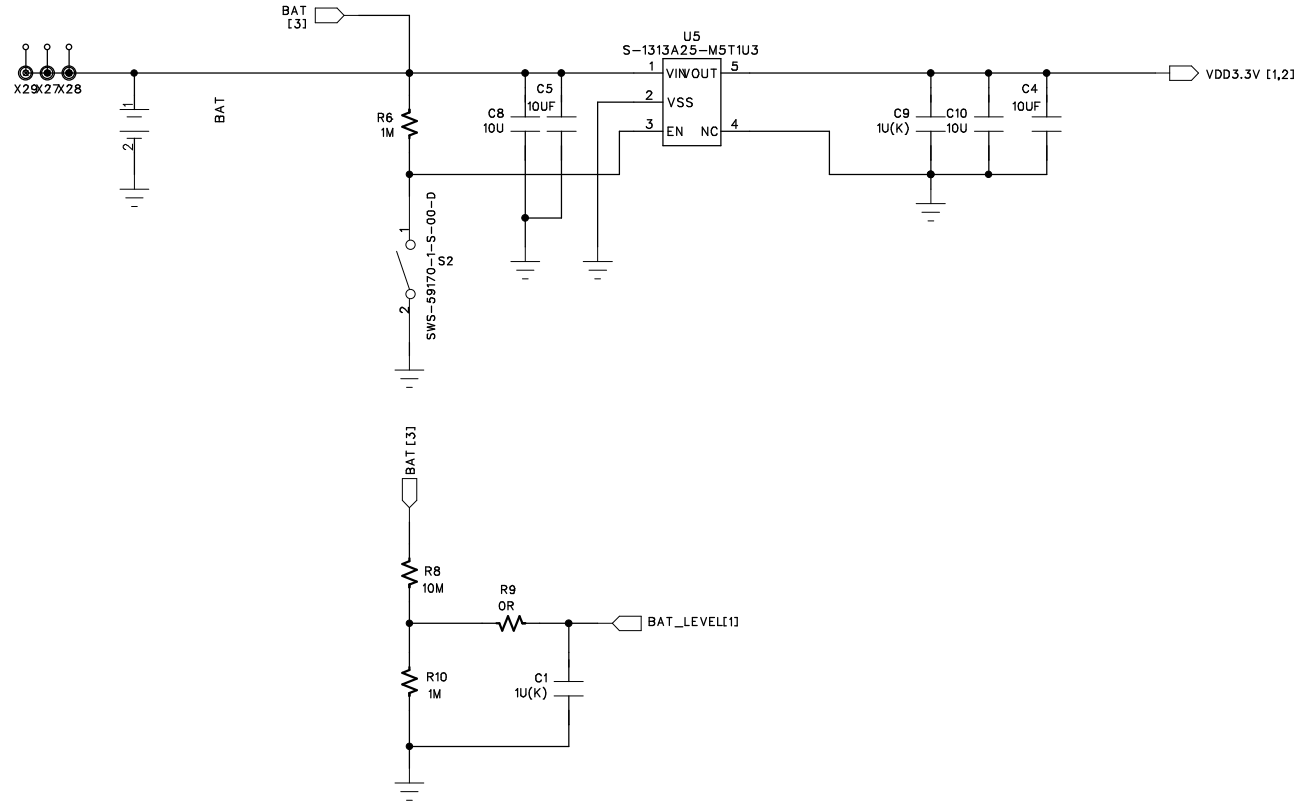
4

3

2

1

REVISION RECORD			
LTR	ECO NO:	APPROVED:	DATE:



COMPANY:

TITLE: POWER

DRAWN:	KGLEE	DATED:	2022-12-07
CHECKED:		DATED:	
QUALITY CONTROL:		DATED:	
RELEASED:		DATED:	2022-12-07

CODE:	SIZE:	DRAWING NO:	REV:
L1	A3	BLE_TAG_V4.1_220916.sch	0.0