

Intelligent Robot Vacuum Cleaner User Manual



Scan the QR Code to
access video tutorials

After-sales Email: support@bstyhome.com

Website: <https://bstyhome.com>

Please read this manual carefully before use and keep it properly.

Welcome to use

Thank you for purchasing Intelligent Robot vacuum cleaner
Please take a few moments to read this manual which will guide
you to have a comprehensive understanding of robot and install it quickly.
It also provide you some important information regarding the use and
maintanance to ensure you get the most benefit from using it.

M3-2 black

* Please refer to the actual product. The company reserves the right to improve product.

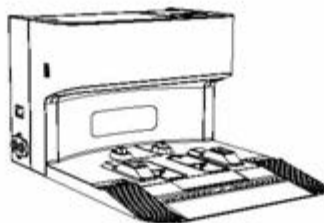
Content

| | |
|---------------------------------|-----------|
| 1. Product Composition | 03 |
| 1.1 Package Contents | 03 |
| 1.2 Name of each part | 04 |
| 2. Operation instruction | 07 |
| 2.1 App download | 07 |
| 2.2 Notes | 08 |
| 2.3 Preparations | 09 |
| 2.4 Robot operation | 13 |
| 2.5 cleaning mode | 15 |
| 2.6 Base station operation | 16 |
| 2.7 Recharging | 17 |
| 3. Daily maintenance | 18 |
| 3.1 Dust bin | 18 |
| 3.2 Wastewater tanks | 19 |
| 3.3 Other components | 20 |
| 3.4 Base station | 21 |
| 3.5 Frequency | 23 |
| 4. Other components | 26 |
| 5. Base station | 28 |
| 6. Troubleshooting | 30 |

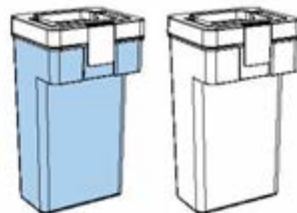
1.Product Composition/1.1 Package Contents



Robot x1



Base station x1



Wastewater tank+
Clean water tank x1



Power cord x1



Side brush x4
(assembled,extra)



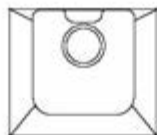
Filter box x2
(assembled,extra)



Roller brush x1



Cleaning brush x1



Dust bag x2
(assembled,extra)



Instruction Manual x1

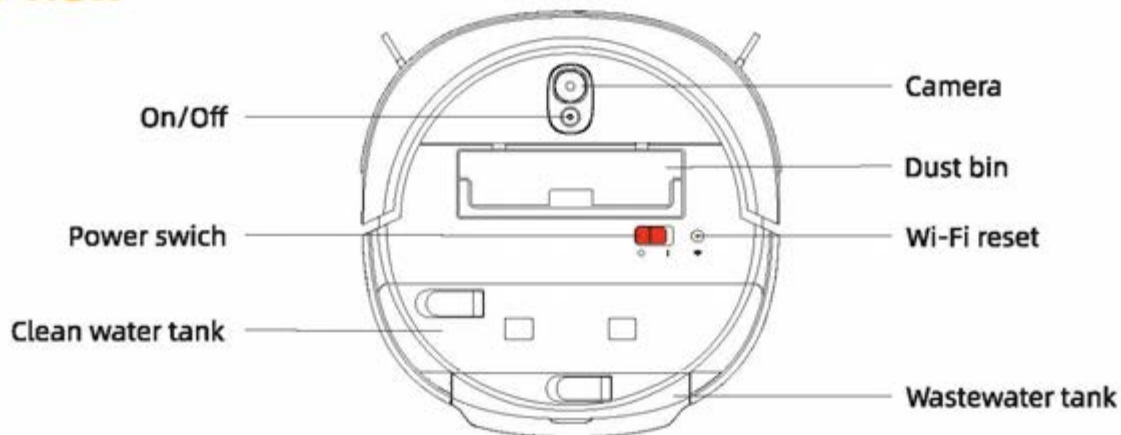
*The illustrations in this manual are for reference only. Please refer to the actual product.

1.Product Composition/ 1.2 Name of each part

Product Front

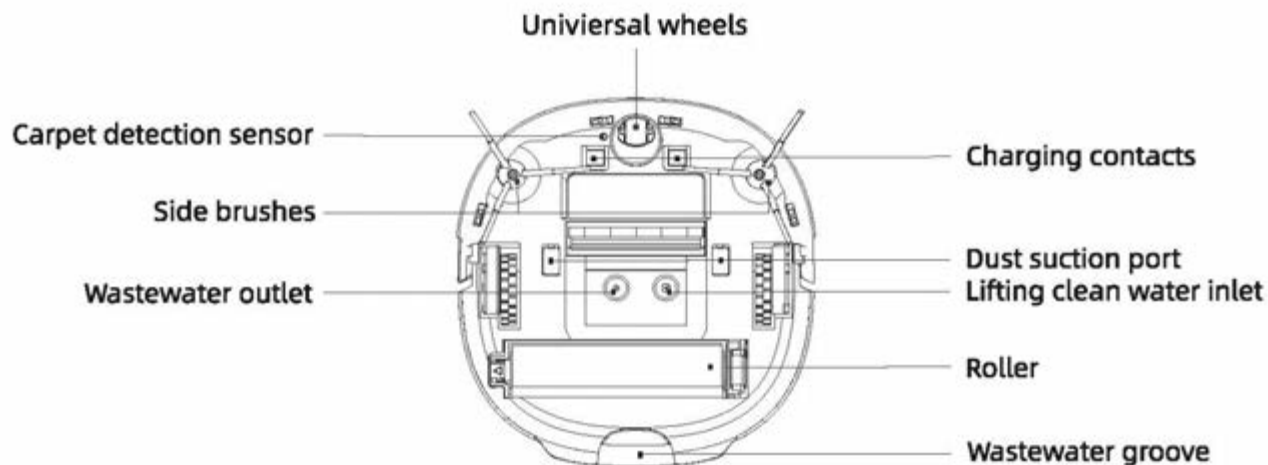
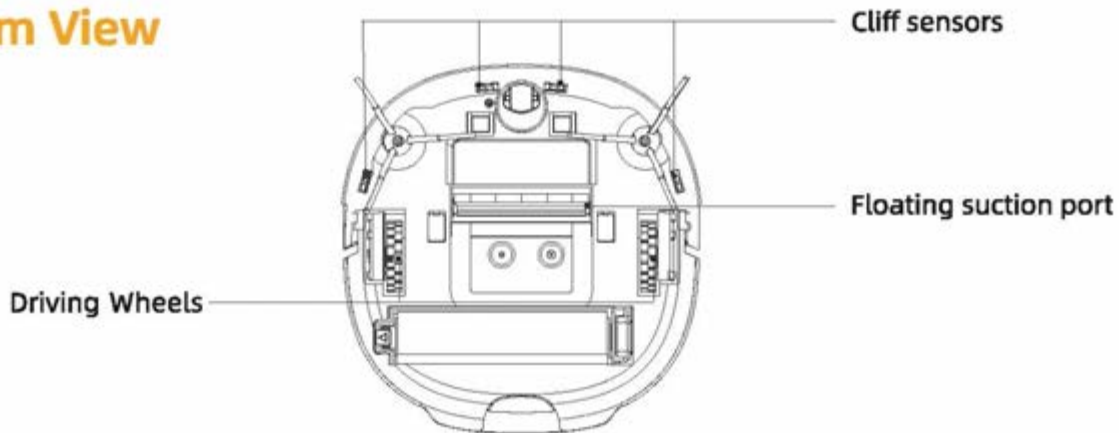


Top view



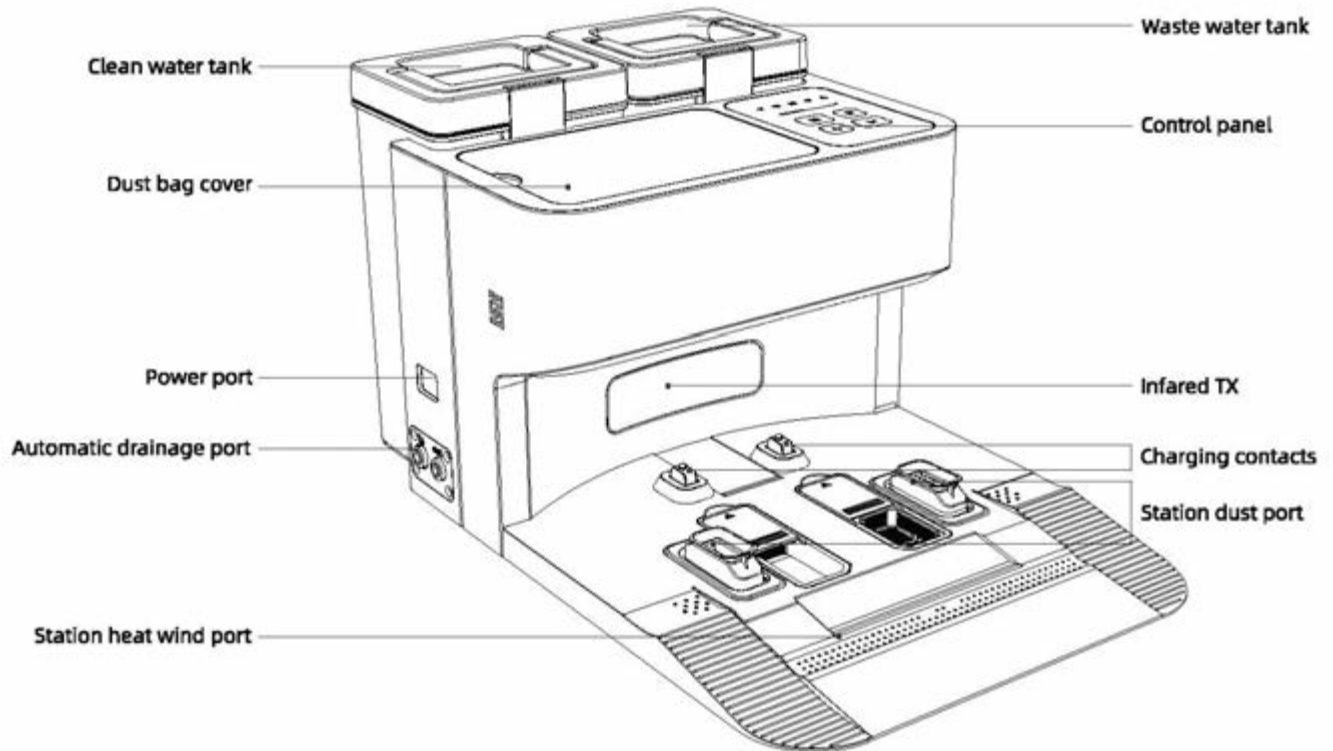
1.Product Composition/ 1.2 Name of each part

Bottom View



1.Product Composition/ 1.2 Name of each part

Station Diagram



2.Operation instruction/2.1 App download

Scan the QR code as below or on the robot to download and install the Home app.



(1) Long press wi fireset key for 3s until there will be a voice prompt "Wi-Fi reset " and the blue indicator light bright, then enter password on App.



2. Long press Wi-Fi reset key for 3s until there will be a voice prompt "Connecting device to Wi-Fi " and the blue indicator light bright, then enter password from App.

1. Long press Wi-Fi setting key for 3 seconds.

Search for "Amicro Smart" in the App Store or Google Play to download and install the app.

iphone



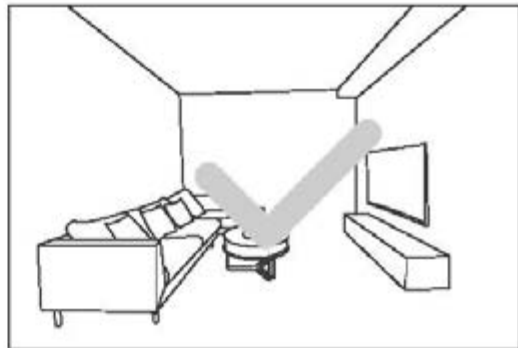
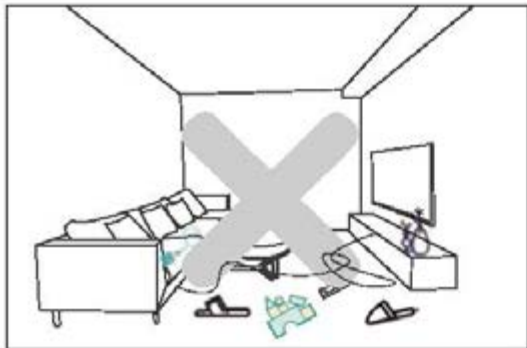
Q Amicro Smart

Android

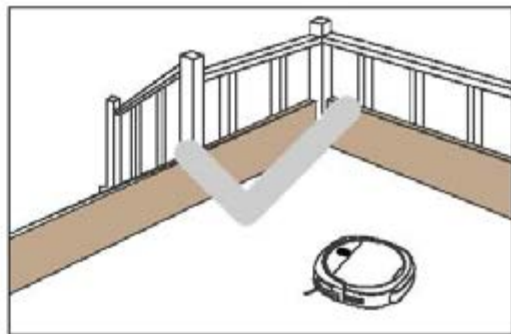
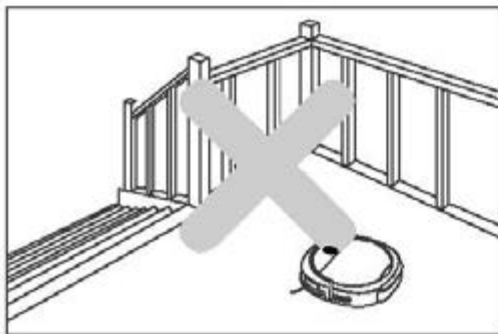
Before you start, make sure that:

- Your mobile phone is connected to a Wi-Fi network.
- The 2.4GHz band wireless signal is enabled on your router. Don't connect 5 GHz.
- The Wi-Fi indicator light on Robot is slowly flashing.

2.Operation instruction/2.2 Notes



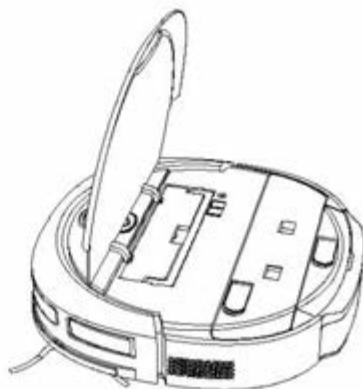
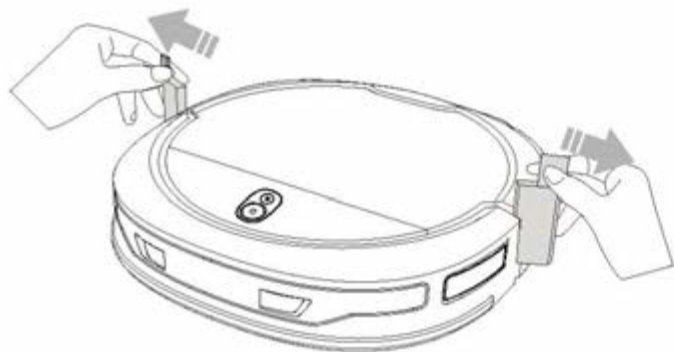
Tidy cables and loose items from the ground and move any unstable, fragile, precious, or dangerous, items to prevent personal injury or property damage due to items becoming tangled in, struck by, or knocked over by the robot.



If using this robot in a raised area, always use a secure physical barrier to prevent accidental falls that may result in personal injury or property damage.

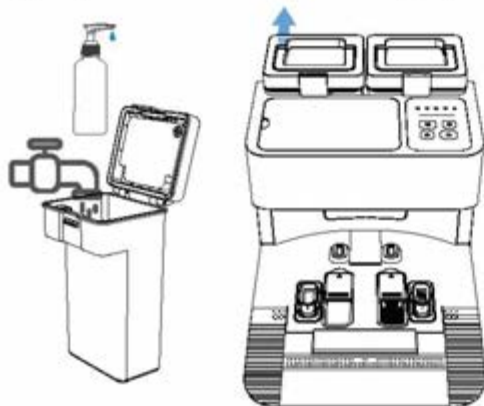
2.Operation instruction/2.3Preparations

- (1) Remove the protective material located on both sides of the robot.
- (2) Please check if there is any improper installation of the wastewater tank, wastewater groove, side brush, and dust box.

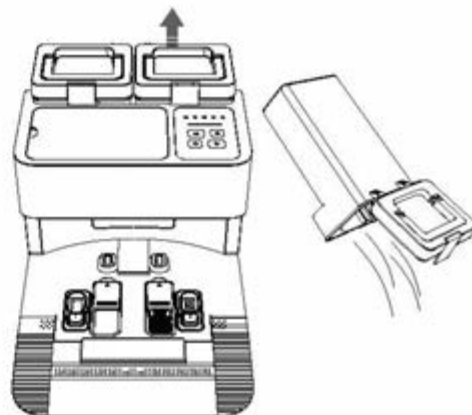


2.Operation instruction/2.3Preparations

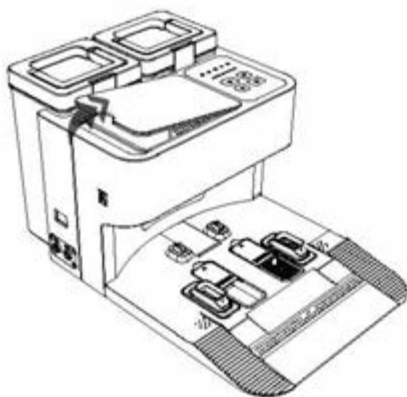
(1) Fill up clean water tank with clean water and add an appropriate amount of the cleaning liquid.



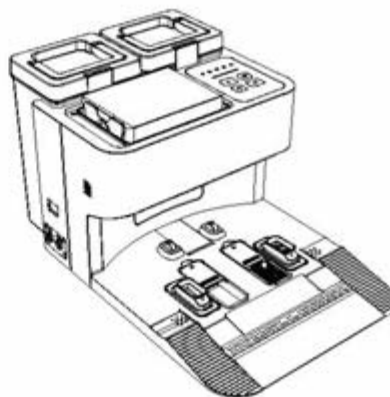
(2) Dump the wastewater.



(3) Remove the magnetic dust cover from the base station.



(4) Put a new dust bag in the dust bin.

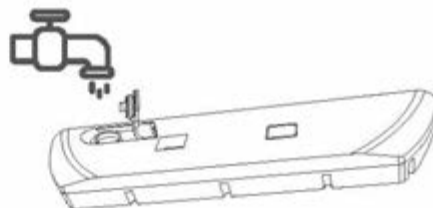


2.Operation instruction/2.3Preparations

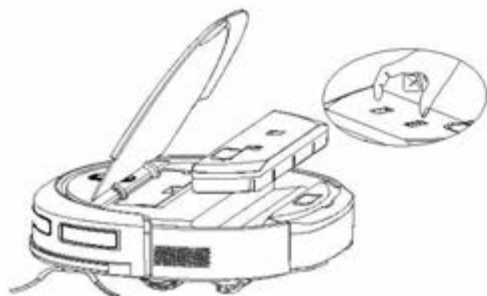
(1) Hold the handle of the water tank and lift upwards to remove it.



(2) Open lid and fill up with clean water.

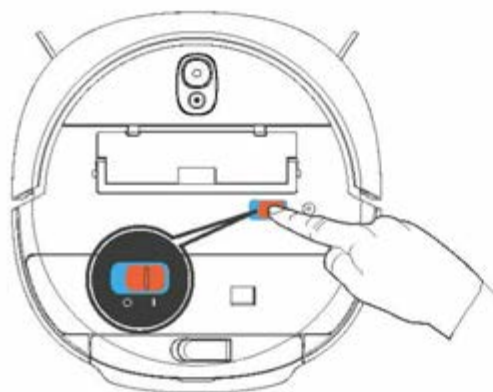


(3) Install clean water tank and start sweeping mode.




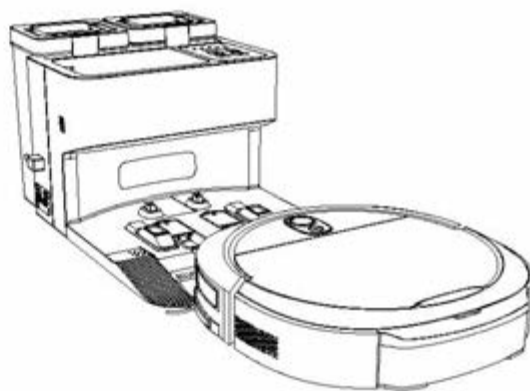
2.Operation instruction/2.4 Robot operation

(1) Main power switch(On/Off): Push the button to "I" to turn on the machine.



Note: I=ON, O=OFF

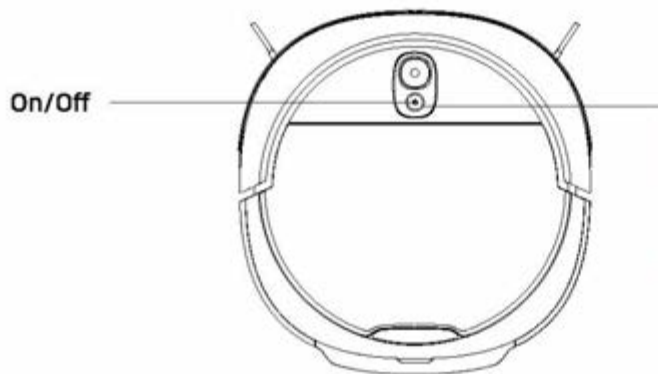
(2) The robot will return to the base station and recharge when battery capacity less than 20%. You can also use the station button  to direct robot to recharge.



The robot can't be charged with the power switch off.

Note: It will be unable to turn on when insufficient power, please put the robot back to the base station to recharge. 6 hours before fully charged.

2.Operation instruction/2.4 Robot operation



Machine Indicator Light State

Starting up: White light breath state bright.

Standby: White light bright all the time.

Working: White light bright all the time.


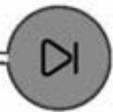
Charging: Green light breath state bright.

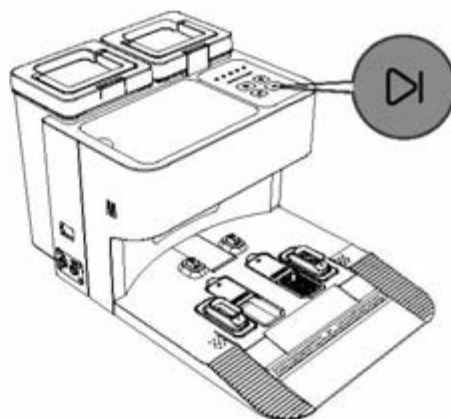
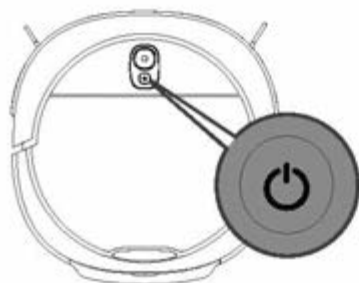
Fully charged: Green light bright all the time.

Fault time: Red light flicks.

OTA upgrade: Blue light breath state bright, white light bright all the time for upgrade successfully.

Wi-Fi: When the robot enters the connection mode, the blue light is on. During the connection process, the blue light flashes quickly. If the connection fails, the red light is on. If the connection is successful, the white light is on.

Pause/Start: Press briefly the  and  buttons on the base, and the robot starts cleaning.



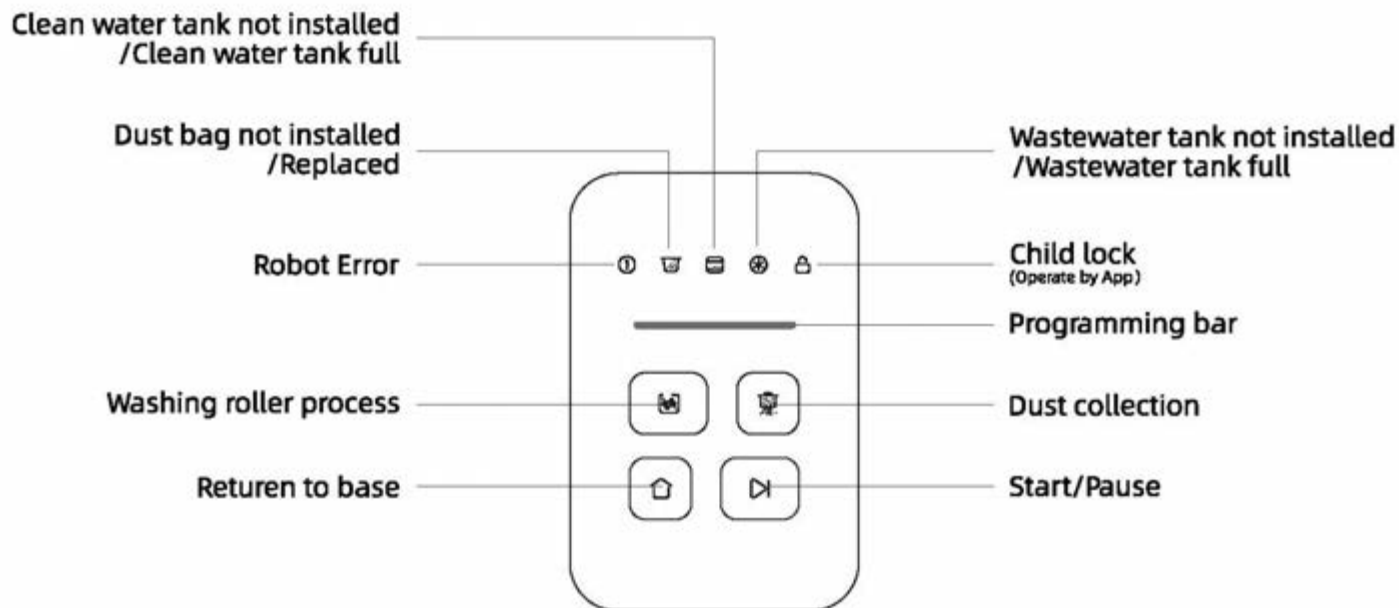
2.Product use/2.5 cleaning mode

| | |
|--|--|
| <p>1.Intelligent mode (Main button/APP control)</p> | <ol style="list-style-type: none">1. In this mode, the robot will start the dry sweeping and mopping functions to clean the whole house automatically.2. Press the Robot Power button/App Pause/base ▷ pause, the robot suspended. |
| <p>2.Dry sweep mode (APP control optional)</p> | <ol style="list-style-type: none">1. In this mode, the robot will turn off the mopping function and only start the sweeping and vacuum functions.2. Press the Robot Power button/App Pause/base ▷ pause, the robot suspended. |
| <p>3.Local dry sweep (APP control optional)</p> | <ol style="list-style-type: none">1. In this mode, the robot will turn off the mopping function and only start the sweeping and vacuum functions.2. After choose the mode on the app, the robot runs to the selected area and starts to dry sweep at local fixed points in the 1.0mx1.0m area.3. Press the Robot Power button/App Pause/base ▷ pause, the robot suspended. |
| <p>4.Mopping mode (APP control optional)</p> | <ol style="list-style-type: none">1. In this mode, the robot turns off the dust suction function and starts the mopping function.2. Press the Robot Power button/App Pause/base ▷ pause, the robot suspended. |

2.Product use/2.5 cleaning mode

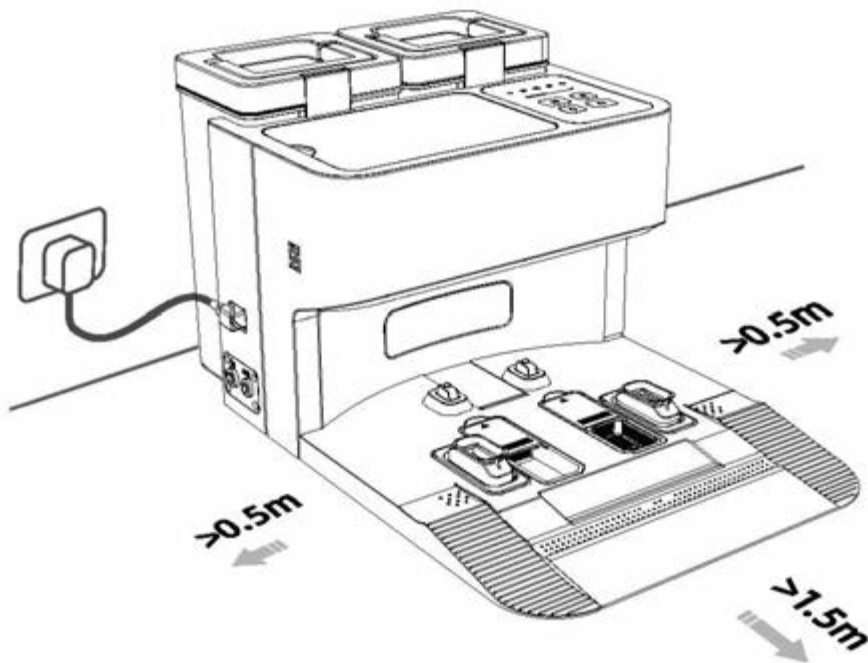
| | |
|--|---|
| <p>5. Local mopping mode (APP control optional)</p> | <ol style="list-style-type: none">1. Select this mode Robot turn off the Fun and vacuum function and start the mopping function.2. After choose the mopping mode on the app, the robot runs to the selected area and starts to mop at local fixed points in the 1.0mx1.0m area.3. Press the Robot Power button/App Pause/base ▷ pause, the robot suspended. |
| <p>6. Deep mopping mode (APP control optional)</p> | <ol style="list-style-type: none">1. In this mode, the machine turns off the dust suction function and turns on the efficient mopping performance.2. Press the Robot Power button/App Pause/base ▷ pause, the robot suspended. |
| <p>7. Marble mopping mode (APP control optional)</p> | <ol style="list-style-type: none">1. choose out adaptive mopping for the marble floor, and turn off the vacuum fan in this mode.2. Press the Robot Power button/App Pause/base ▷ pause, the robot suspended. |
| <p>8. Balcony sweeping mode (APP control optional)</p> | <ol style="list-style-type: none">1. choose out adaptive mopping for the balcony floor, and start the vacuum fan in this mode.2. Press the Robot Power button/App Pause/base ▷ pause, the robot suspended. |
| <p>9. Plank mopping mode (APP control optional)</p> | <ol style="list-style-type: none">1. choose out adaptive mopping for hard plank floor. In this mode, the dust suction fan has two adjustable gears on APP.2. Press the Robot Power button/App Pause/base ▷ pause, the robot suspended. |

2.Operation instruction/2.6 Base station operation



2.Operation instruction/2.7 Recharging

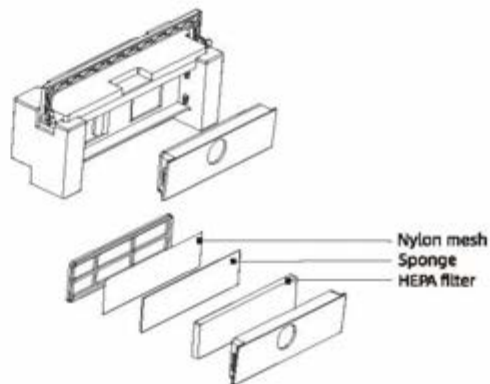
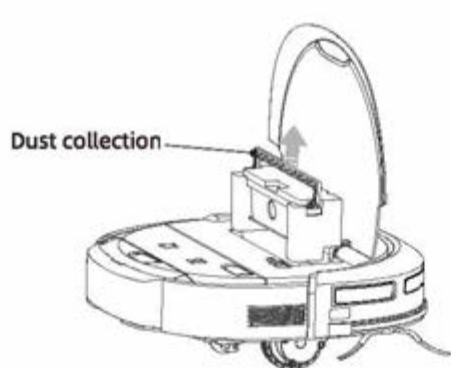
The base station is placed against the wall and is to be placed on a flat ground.
Remove any objects that are closer than 1.5 m from the front and 0.5 m from either side of the base.



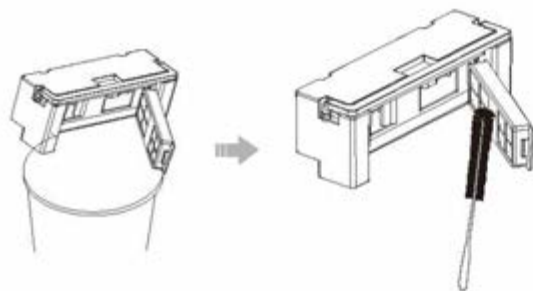
* If there are reflective objects such as mirrors and reflective skirting lines near the station, the bottom 14cm of that should be covered. Do not place the base station under direct sunlight.

3. Daily maintenance / 3.1 Dust bin

(1) Open top cover and remove dust bin.



(2) Open the lid and empty dust bin.



(3) Rinse dust bin with clean water.



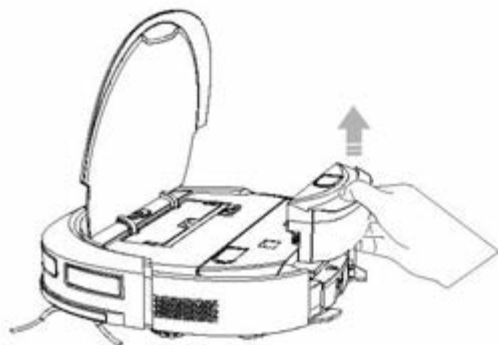
Note: Please use the cleaning brush to clean HEPA. Don't use fingers to clean HEPA.

Note: Air-dry for at least 24h before reuse

3. Daily maintenance / 3.2 Wastewater groove, wastewater tank

Wastewater tank

- (1) Lift out to remove the wastewater tank.



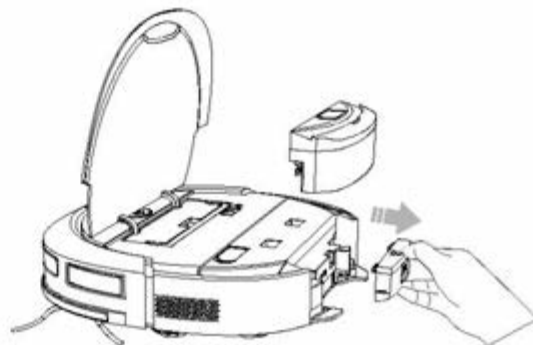
- (2) Rinse the wastewater tank with clean water and use the provided brush to clean the dirt.



Note: Please wipe surface after cleaning the wastewater tank and then install in the robot until there will be a voice prompt "Wastewater tank installed".

Wastewater groove

- (1) Wash the wastewater tank with clean water.



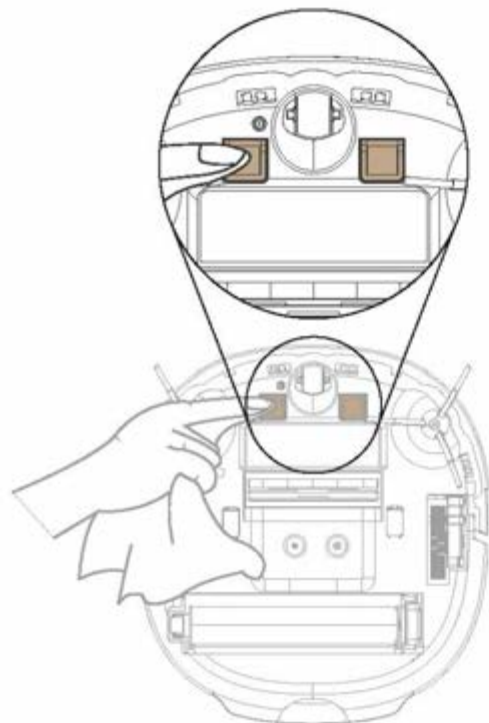
- (2) Rinse the wastewater groove with clean water and use the provided brush to clean the dirt.



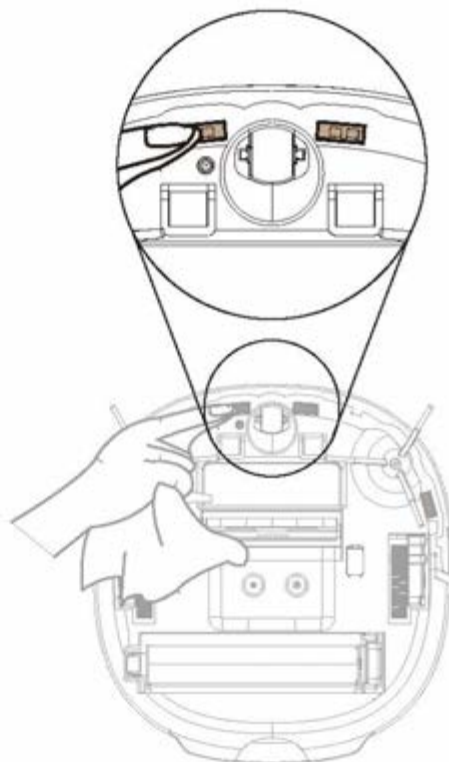
Note: The wastewater groove can only be removed after wastewater tank being removed. (The wastewater groove is under the wastewater tank)

3. Daily maintenance / 3.3 Other components

(3) Clean cliff sensors.



(4) Clean charging contacts



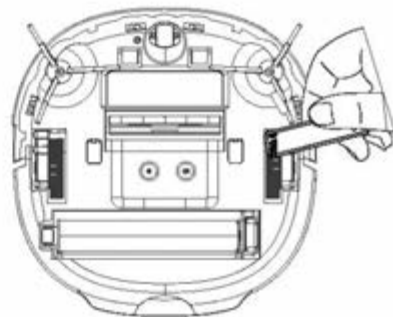
Note: The charging contacts, cliff sensors, and infrared buffer bumper all contain sensitive electronic components. Please use a dry cloth when cleaning to avoid water damage, and do not use a wet cloth.

3.Daily maintenance/3.3 Other components

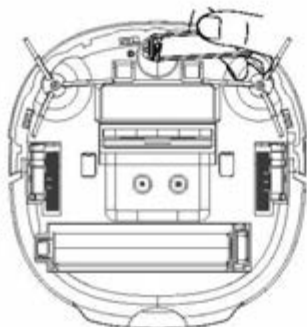
(5) Clean infrared Anti-collision Bumper.



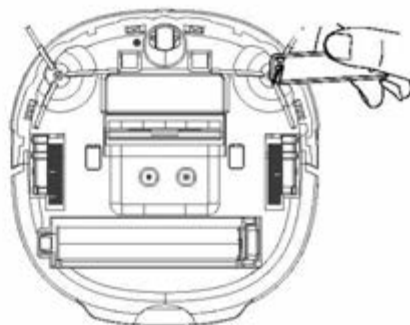
(6) Clean main wheels.



(7) Clean universal wheel.

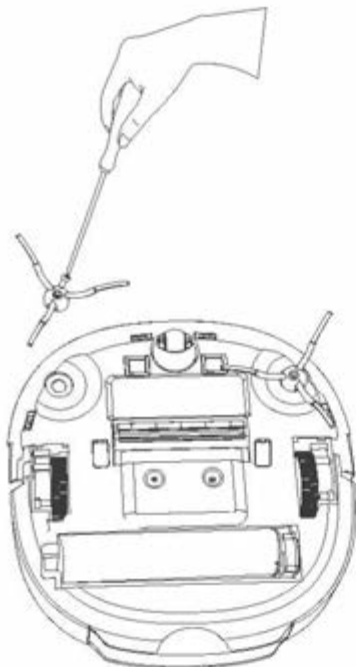


(8) Clean side brushes.

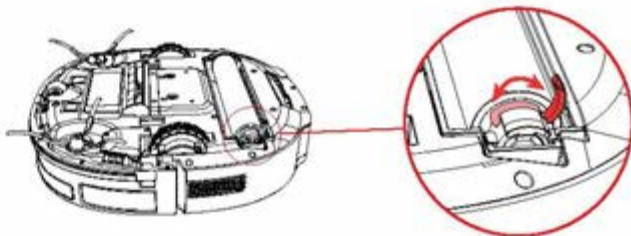


3. Daily maintenance / 3.3 Other components

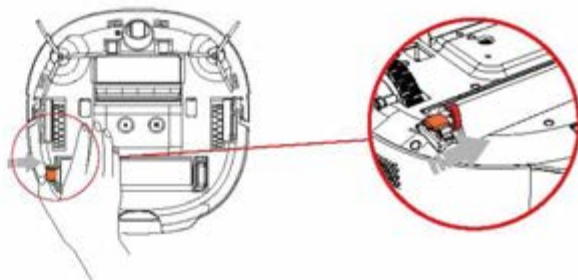
- (9) Side brushes should be regularly replaced
(NOTE: Recommended to replace the side brush every 3 months depending on use.)



- (10) Push up the red locking clip to secure the roller brush in place. (Press down to lock the roller brush, and lift up to release and open the roller brush.)



Lift up the red clip on roller
(Press downward to lock the roller)



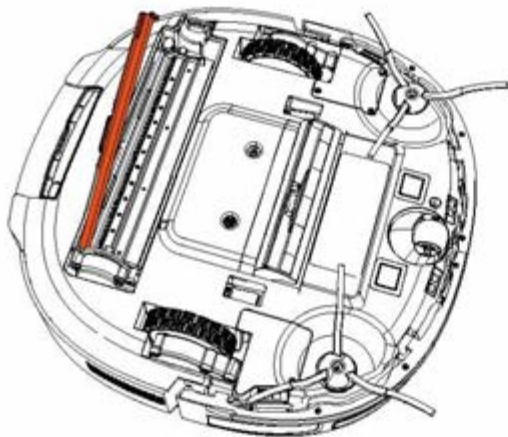
Press the orange latch in the direction of the arrow
and lift the roller up to remove it.



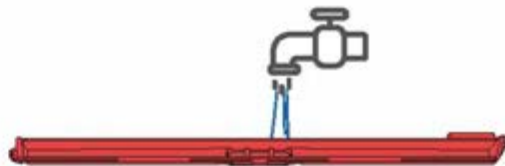
3.Daily maintenance/3.3 Other components

Water intake plate

(1) Remove the red water receiving part
(Magnetic connect)



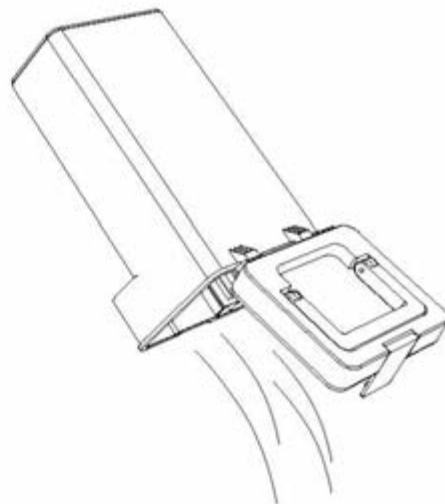
(2) Rinse the water intake plate with clean water,
and reinstall it into the robot.



3.Daily maintenance/3.4 Base station

Water tank

It is necessary to regularly clean the tank depending on use. Open the cover of the tank and pour out the waste water, then fill it with clean water, close the cover of the tank, fasten the buckle, and shake the tank.



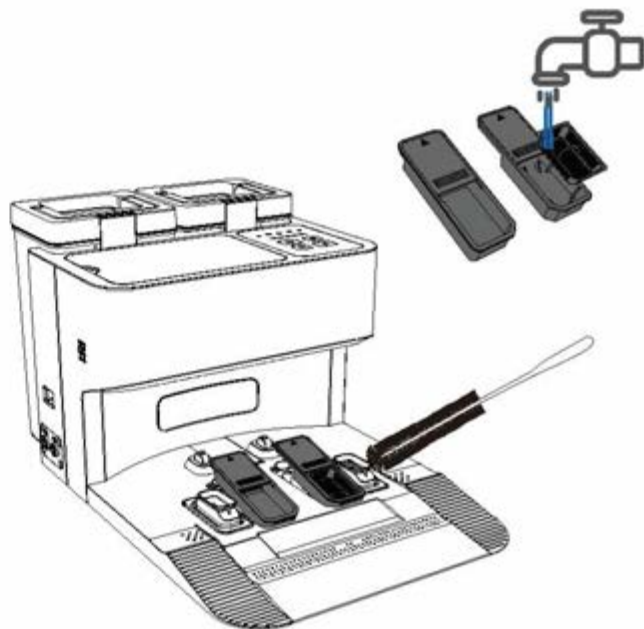
Note: Don't use detergent or disinfectant. Otherwise, the functions of the base may be affected. Hot water may cause water tank deformation. Wipe the tank by using a soft, dry cloth.

3. Daily maintenance / 3.4 Base station

1. Charging contacts Wipe charging contacts by using a soft, dry cloth.

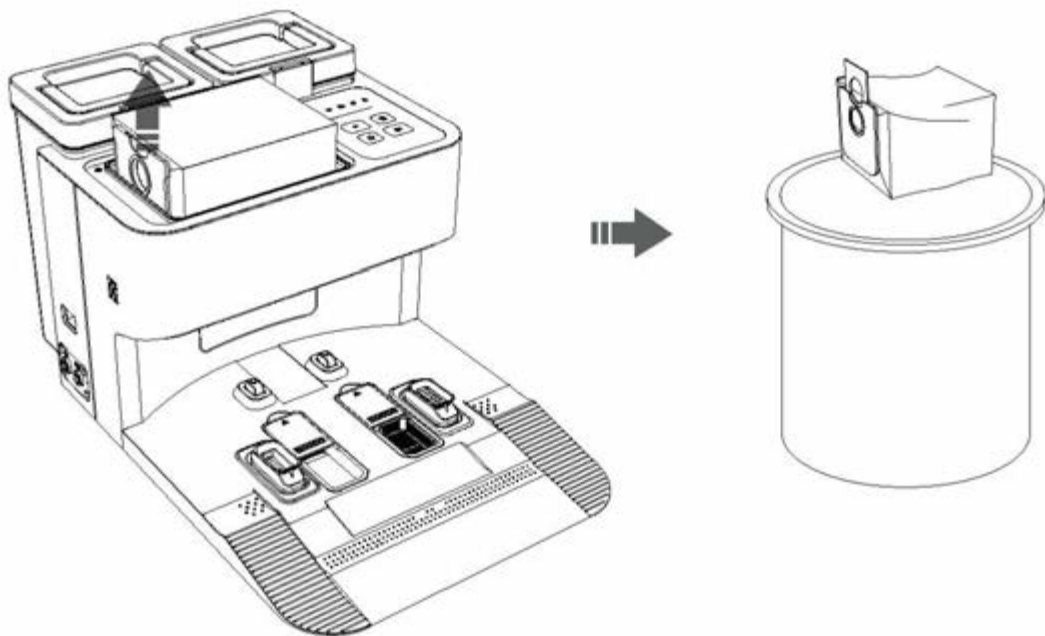


2. Clean the station base by using a cleaning brush, the wastewater tank can be removed and clean.



3. Daily maintenance/3.4 Base station

3. Dust bag should be regularly cleaned or replaced.



3. Daily maintenance / 3.5 Frequency

To keep Robot running at peak performance, perform the following care procedures.

| Robot part | Care frequency | Replacement frequency |
|---|-----------------------|------------------------------|
| Roller brush | / | Every 6 months |
| Dust bag | / | As per App caution |
| Filter bin | / | Every 3-6 months |
| Side brushes | / | Every 3-6 months |
| Dust collection bin | Once per month | / |
| Charging contacts on robot Charging contacts on base station Infared anti-collision bumper Cliff sensors | Once per week | / |
| Wastewater tank | Once ever two weeks | / |
| Wastewater bin | After each use | / |
| Cleanwater groove | Once per month | / |
| Wastewater groove | Once per month | / |

4.FAQs

| Problem Solution | Solution |
|--|---|
| The robot will not return to the base. | There are obstructions around the base. Place the base in a more open area. Wipe the signaling area of the base. Moving the robot may cause it to re-position itself or re-map its surroundings. If the robot is too far from the base, it might not be able to automatically return to the base, in which case you need to manually place the robot onto the base. |
| The robot is making a strange noise. | The main brush, side brush, or main wheels may be entangled with hair or debris. Turn off the robot and remove any hair or debris. |
| The robot is unable to return to charging base after spot cleaning or moved the robot. | After spot cleaning or moved the robot, the robot will redraw the map. The charging base is too far away, please put the robot back into the charging base. |
| Abnormal behavior. | Open the face cover and stab the reset key switch directly. |
| The robot fall down from step during sweeping. | Wipe the cliff sensors with a dry cloth. |
| The robot is unable to escape from the obstacle. | Wipe the front sensors and TOF sensor with a dry cloth. |
| The robot will not charge. | The base is unplugged. Make sure that both ends of the power cord are plugged in. Poor contact. Wipe the charging contacts of the base and robot. |
| The robot will not turn on. | The battery is low. Recharge the robot on the base and try again. The ambient temperature is too low (below 0° C) or too high (above 40° C). The operating temperature of the robot is 0° C to 40° C. |
| The robot leaks dust while cleaning. | Take out the roller and the dust bin, and remove any debris that may have become trapped around spaces that hold the roller and dust bin. |
| Water overflow when mopping. | Check if the water tank lid is in position. |

4.FAQs

| Problem Solution | Solution |
|---|--|
| Collect dust unsuccessfully | Check if the dust bag put in position or dust bag being damage. |
| | Take out dust bin and clean the foreign object on dust outlet. |
| The robot is not able to connect to Wi-Fi | 5GHz Wi-Fi is not supported. Make sure that the robot connects to the 2.4 GHz Wi-Fi. |
| | The Wi-Fi signal is weak. Make sure that the robot is within the range of your Wi-Fi signal. |
| | The entered Wi-Fi username or password is incorrect . |
| | Enter the correct username and password. |
| | |
| | |
| | |
| | |
| | |

5.Security Information

Use restrictions

- 1.Your robot is for indoor use only. Do not use the robot outdoor(like balconies), off the ground (like sofa),commercial or industrial environments.
- 2.Do not use in the places where the temperature is above 40C/104F or below 0°C/32F, and places with liquid or sticky objects.
- 3.This appliance is not intended for use by persons (including children)with reduced physical, sensory or mental capabilities unless they have been given supervision or instruction concerning use of the appliance by a person responsible for their safety.
- 4.Do not let your child use the robot as a toy. Please keep it away from your child and pets when it working as possible.
- 5.Before using this robot, please sort out power cords on the ground as there is a chance to be dragged and damaged by cleaning,
- 6.Do not use the robot's cover and bumper etc. as a carry handle.
- 7.Do not use this robot to pick up anything that is burning or smoking/such as cigaretes that are not extinguished).
- 8.Do not use this robot to pick up any hard or sharp objects(such as decoration waste, glass, nails, etc).
- 9.Do not wipe the product with a wet cloth or any liquid.
- 10.Do not put any heavy objects on the machine.
- 11.Please put the brush(with a sharp blade) in a safe places where children could not touch.
- 12.Do not place the robot upside down(the laser radar cannot be placed on the ground).
- 13.Do not pour any liquid into the product (Dustbin can be cleaned with water and dried to use.)
- 14.Please keep your hair, fingers and pets away from the suction area when robot is working.
- 15.Please operate this product according to user manual. if it was damaged caused by inappropriate use, the user will bear the responsibility
- 16.If you need to transport the product, please make sure that the robot is turned off
- 17.If it is not used for a long time, please turn off the robot and put it in a dry place after fully charging.
- 18.Please make sure the robot and charging base is power off when cleaning or maintaining.

Battery and charging

1. Do not use external batteries, chargers or docking stations.
2. Do not disassemble, repair or replace the battery or docking station.
3. Do not install the dock near sources of heat (such as a radiator).
4. Do not wipe the contact areas of the docking station with a damp cloth or wash liquid.
5. Do not dispose of the used battery, please contact special disposal units for similar products.
6. If the power cord is damaged or broken, contact the service center immediately.
7. Before transporting the device, make sure that the vacuum cleaner is turned off. It is recommended to use packaging.
8. If you do not use this unit for a long time, disconnect it from the power supply, after fully charging it and keep it in a cool dry place. It is recommended to charge the device every three months to prevent excessive discharge.

Toxic and harmful substances

| Name | Toxic and harmful substances or elements | | | | | |
|------------------|--|------|------|----------|-------|--------|
| | (Pb) | (Hg) | (Cd) | (Cr(VI)) | (PBB) | (PBDE) |
| Motherboard | × | ○ | ○ | ○ | ○ | ○ |
| Metal components | × | ○ | ○ | ○ | ○ | ○ |
| External housing | ○ | ○ | ○ | ○ | ○ | ○ |
| Battery | × | ○ | ○ | ○ | ○ | ○ |
| power cord | ○ | ○ | ○ | ○ | ○ | ○ |
| Connectors | ○ | ○ | ○ | ○ | ○ | ○ |

These tables are provided in accordance with SJ / T 11364

○ Toxic and harmful substances in all components of this device are contained below the threshold value in accordance with GB / T 26572.

×

The presence of toxic and noxious substances in at least one of the components of this device in an amount exceeding the threshold value in accordance with GB/T26572.



The number in this logo indicates that the product has an environmental protection period of 10 years under normal use.

6.Product Specifications

Robot

| Name | Parameters |
|--------------------------|---------------------------------|
| Product weight | ≈4.5kg |
| Suction power | 2500Pa |
| Battery | 14.4V/5200mAh (Lithium battery) |
| Noise | 68dB |
| Working hours | ≈180min |
| Dust bin capacity | ≈300ml |
| Cleanwater tank capacity | ≈360ml |
| Wastewater tank capacity | ≈250ml |
| Threshold climbing | 16mm |
| Rated power | 36W |

Base station

| Name | Parameters |
|--------------|------------|
| Rated input | 100-240V |
| Rated output | 24V DC 1A |

FCC Warning

This device complies with part 15 of the FCC rules. Operation is subject to the following two conditions: (1) this device may not cause harmful interference, and (2) this device must accept any interference received, including interference that may cause undesired operation.

Changes or modifications not expressly approved by the party responsible for compliance could void the user's authority to operate the equipment.

NOTE: This equipment has been tested and found to comply with the limits for a Class B digital device, pursuant to part 15 of the FCC Rules. These limits are designed to provide reasonable protection against harmful interference in a residential installation. This equipment generates uses and can radiate radio frequency energy and, if not installed and used in accordance with the instructions, may cause harmful interference to radio communications. However, there is no guarantee that interference will not occur in a particular installation. If this equipment does cause harmful interference to radio or television reception, which can be determined by turning the equipment off and on, the user is encouraged to try to correct the interference by one or more of the following measures:

- Reorient or relocate the receiving antenna.
- Increase the separation between the equipment and receiver.
- Connect the equipment into an outlet on a circuit different from that to which the receiver is connected.
- Consult the dealer or an experienced radio/TV technician for help.

Radiation Exposure Statement

This equipment complies with FCC radiation exposure limits set forth for an uncontrolled environment. This equipment should be installed and operated with minimum distance 20cm between the radiator and your body.