

WE APPRECIATE FEEDBACK!

Please allow our customer service team to help with any issues before you leave a review.



/atomismartino



/atomi_smart



@atomi.smart

Need assistance?



**DO NOT RETURN THIS
PRODUCT TO THE STORE**

Call 1-800-757-1440

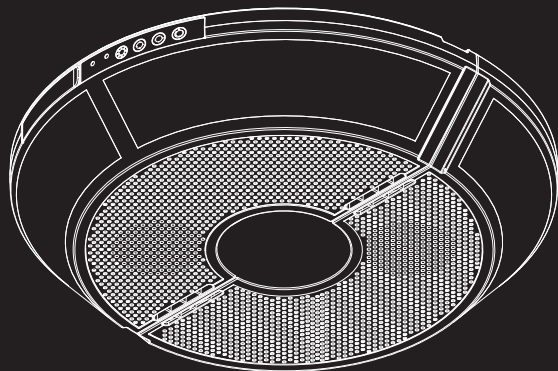
Mon-Fri 9:00 a.m. - 5:00 p.m. EST (U.S.)
or email us at info@atomiusa.com



LED Patio Umbrella Light + Speaker

6W Wireless Bluetooth® Speaker +
RGB Light + USB Charge Port

User Guide



Date Code: 12/23

Thank you for purchasing the Atomi LED Patio Umbrella Light + Speaker

Atomi's LED Patio Umbrella Light and Bluetooth® Speaker keeps the party going even after the sun goes down.

- Wireless light makes it portable and lightweight for easy transport.
- Convenient remote control lighting for easy usability in any environment.
- 6W Bluetooth® speaker is a high-quality, mobile speaker that connects to your phone.
- Built-in 4000mAh rechargeable lithium battery supports LED lighting, music playback, and USB charging.

What's Inside

LED Patio Umbrella Light + Speaker

USB-C Cable

Wall Charger

Remote Control

Specifications

USB-C Input: DC 5V 2A

USB Output: 5V 1A

Light: 3W

Bluetooth®: 5.3

Wattage: 3W*2

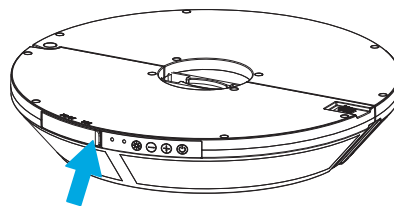
Battery: 4000mAh

*Up to 1 hour usage for music and light or
2 hours for music only.

Charging Your Umbrella Light + Speaker

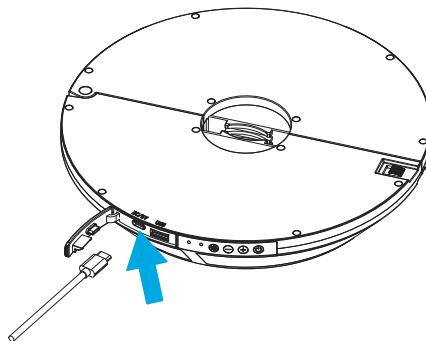
1

Open the lid that covers the control panel.



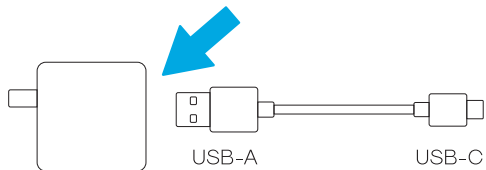
2

Connect the Umbrella Light/ Speaker cable to a USB-C port to charge the device.



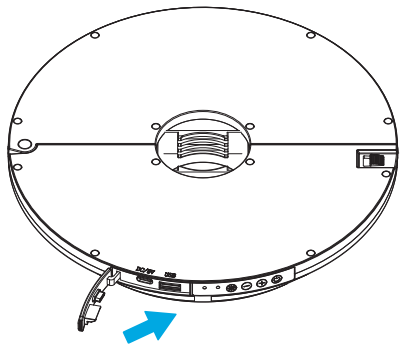
3

Connect the other end into a 5V2A or higher USB charger.



4

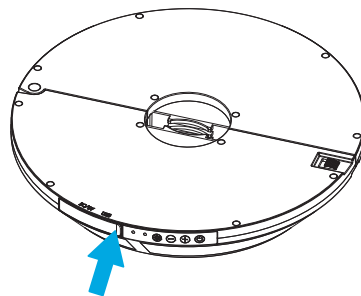
Press the cover to close it back into place when finished.



Charging Your Device

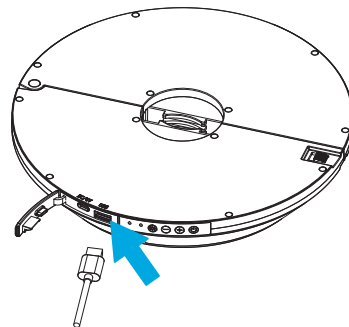
1

Open the lid that covers the control panel.



2

Connect any USB-enabled device into the USB-A port and the other end into your device.

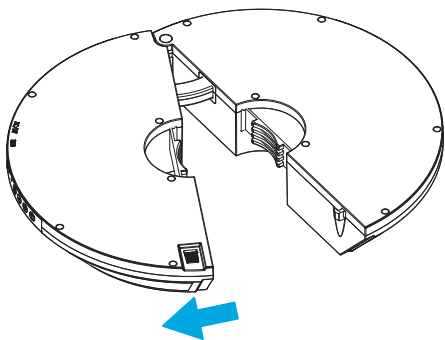
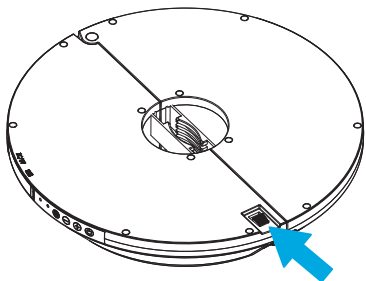


Attaching the Umbrella Light + Speaker to your Umbrella Pole

Note: The Umbrella Light/Speaker only works with pole sizes from 1-2in. in diameter.

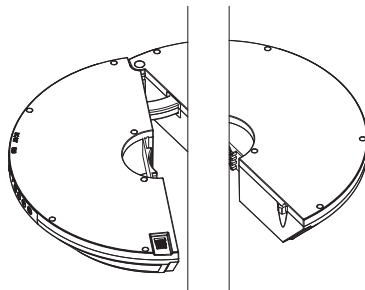
1

Hold the clip and open the Umbrella Light/Speaker.



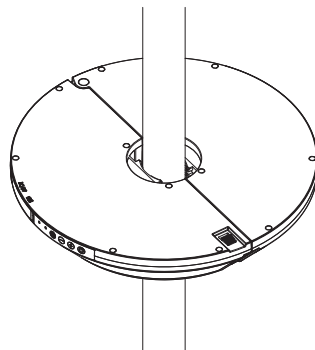
2

Place the Umbrella Light/Speaker around umbrella pole.



3

Close the Umbrella Light/ Speaker around the umbrella pole. The Umbrella Light/ Speaker will self-adjust according to pole diameter.



Control Panel

1 Power Indicator

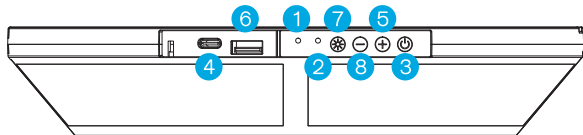
Solid red means device is fully charged.
A flashing red light means device is charging or battery is lower than 10%.

3 Bluetooth® ON/OFF Play and Pause

Press for 2s to power ON/OFF.
Quickly press to Play/Pause music.

2 Bluetooth® Indicator

Flashing blue light to pair the Umbrella Light/Speaker and your device through Bluetooth®. If the light turns solid blue, then Bluetooth® pairing is successful. Continuous flashing blue light means the Bluetooth® pairing failed.



4 USB-C Port

To charge the Umbrella Light/Speaker.

6 USB-A Port

To charge any USB-enabled device.

7 Light ON/OFF/ Change Light Mode

Short press button to choose light mode.
Press button for 2s to turn the light ON/OFF.

5 Next Song/ Increase Volume

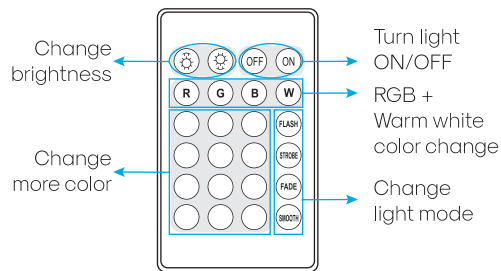
Short press the button to increase volume.
Press button for 2s to play next song.

8 Previous Song/ Decrease Volume

Short press the button to decrease the volume.
Press button for 2s to play previous song.

Remote

Note: Requires CR2025 batteries (included)



Model Number: RF433M24

Rated Voltage: 3V DC

FCC ID: 2BAT7RF433M24

This equipment has been tested and found to comply with the limits for a Class B digital device, pursuant to part 15 of the FCC Rules. These limits are designed to provide reasonable protection against harmful interference in a residential installation. This equipment generates, uses and can radiate radio frequency energy and, if not installed and used in accordance with the instructions, may cause harmful interference to radio communications. However, there is no guarantee that interference will not occur in a particular installation. If this equipment does cause harmful interference to radio or television reception, which can be determined by turning the equipment off and on, the user is encouraged to try to correct the interference by one or more of the following measures:

- Reorient or relocate the receiving antenna.
- Increase the separation between the equipment and receiver.
- Connect the equipment into an outlet on a circuit different from that to which the receiver is connected.
- Consult the dealer or an experienced radio/TV technician for help.

Caution: Any changes or modifications to this device not explicitly approved by manufacturer could void your authority to operate this equipment.

This device complies with part 15 of the FCC Rules. Operation is subject to the following two conditions: (1) This device may not cause harmful interference, and (2) this device must accept any interference received, including interference that may cause undesired operation.

RF Exposure Information

The device has been evaluated to meet general RF exposure requirement. The device can be used in portable exposure condition without restriction.

Safety Information

1. Read these instructions carefully for best use.
2. DO NOT use the LED Patio Umbrella Light + Speaker near water or expose it to rain or moisture.
3. DO NOT use the LED Patio Umbrella Light + Speaker near open flames, such as candles, heat sources, radiators and stoves.
4. Only clean the LED Patio Umbrella Light + Speaker with a dry cloth.
5. Caution: Risk of electric shock. Grounding continuity must be maintained.
6. For connection to a power supply not in the U.S.A., use an attachment plug adapter of the proper configuration for the power outlet, if needed.
7. Please check prior use, if output voltage and current of the power supply is suitable for the product.
8. Children should be supervised to ensure that they do not play with the appliance.

For questions or concerns, email us at info@atomiusa.com

Manufactured and marketed by Atomi Inc.

10 West 33rd St., New York, NY 10001

atomi™ is a trademark of Atomi Inc.

Designed by Atomi in New York. Made in China

One-year limited warranty from the date of purchase
against defects in material and workmanship.