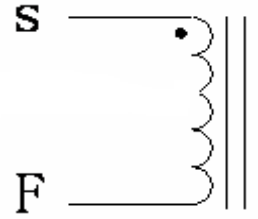
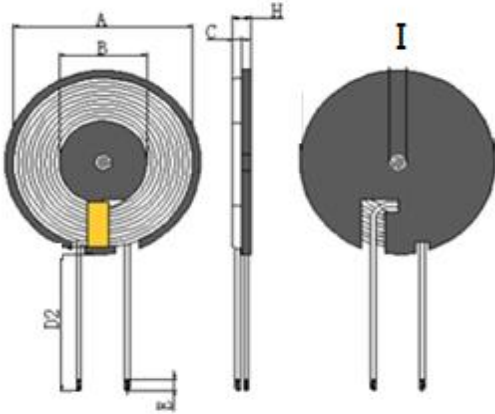


SPECIFICATION FOR APPROVAL

1. MECHANICAL DIMENSION (UNIT:mm)

2. SCHEMATICS:



1. Coil attached magnetic disc, magnetic disc size $43.5 \pm 1\text{mm}$, the thickness is $0.8 \pm 0.05\text{mm}$ open L-slot.
2. Coil outlet position Adhesive paper 1-2Ts;
3. The bottom of the magnetic separator should be affixed with back glue

A	B	C	D2	E	H	I			I
40.5 ± 1.0	13.5 ± 1	0.8 ± 0.05	16 ± 2	4 ± 2	2.5MAX	5 ± 0.5			

3. WINDING:

STEP	START-FINISH	WIRE TYPE	TURNS	TAPE	REMARK
N1	S-F	silk-covered wire $\phi 0.08 \times 105\text{mm}$ 2UEW	12TS (Ref)		

4. ELECTRICAL SPECIFICATION:

ITEM	L	DCR	L	Q值	HI-POT
TEST	Coil and diskette	S-F	Individual coil		
CON	100KHz, 0.25V	AT 25°C	100KHz, 0.25V		
SPEC	$6.8\mu\text{H} \pm 10\%$	60mΩ Max	$3.8\mu\text{H} \pm 15\%$		

5. BILF OF MATERIAL:

NO.	ITEM	MATERIAL SPECIFICATION	MANUFACTURER	SGS NO.
1	Silk covered thread 0.08*105 strands	Acetone silk-covered wire 0.08*105 strands	NANJINGJINNINGCO,LTD	
2	Lead-free tin strip	Lead-free tin strip	QIAODO	
3	magnetic sheet	$\phi 44 \times 0.8$ manganese zinc hard disk with L slot	TAIYI CO.,LTD	
4	glue	Yellow gum9999	LIANCHENG CO.,LTD	
5	high-temperature adhesive tape	7mmWide high temperature adhesive paper	CUDAK CO.,LTD	
6	gum	$\phi 41.5 \times 0.1$	3M	

HRSW ELECTRONICS CO.,LTD	PART NO	Z301Headphone position coil
	TITLE	G43.5 Slot + adhesive 16mm
DRAWN BY	CHECKED BY	APPROVED BY
Zhu jin Road	Li Yafei	Li Yafei