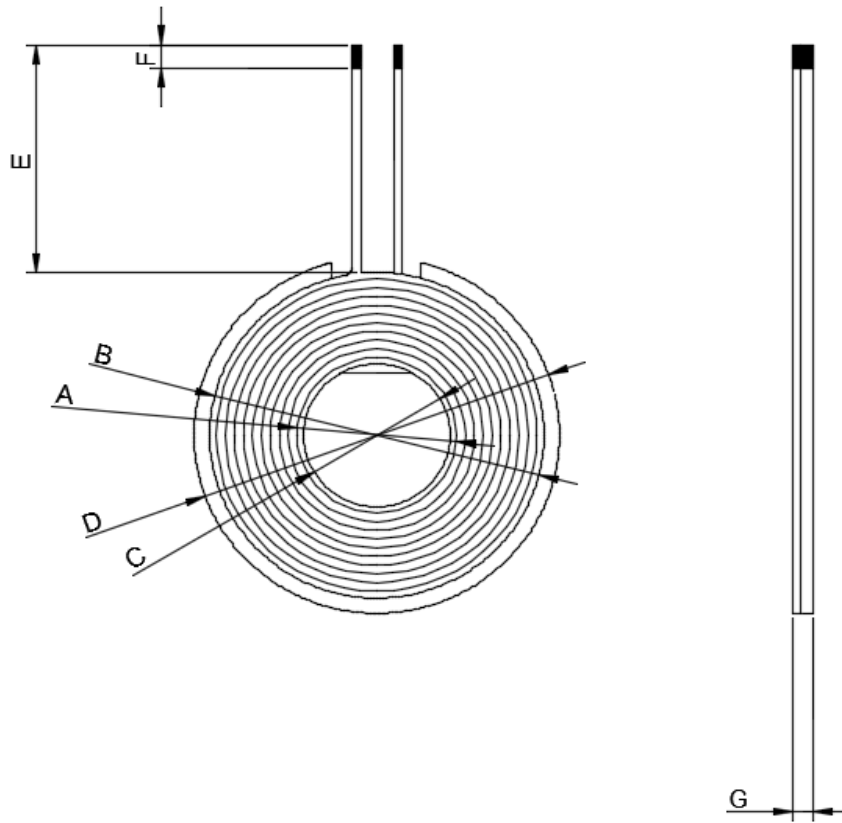


# 1. Dimension specification



Unit:mm

A	B	C	D	E	F	G
19.5±0.5	39±0.5	19±0.2	42.5±1	8±10.5	4±1.5	2.05±0.2

Number of coils wound: 9 laps  
Wire specification: 0.03\*7\*4\*4