

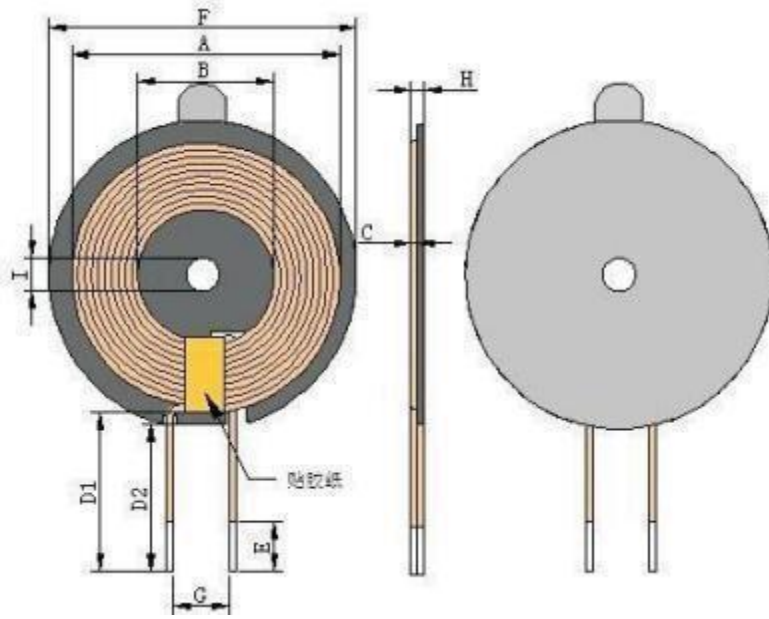
样品承认书

SPECIFICATION FOR APPROVAL

Recognition status	trial production		For mass production	
supplier	Shenzhen Taosoft Electronics Co., Ltd			
Model	A11			
name	A11			
describe	Stick 2.5mm thick EVA foam ROHS			
environmental requirements	ROHS			
Delivery time	2023/8/4			
address	701, Building 10, Industrial Zone B, Wulian Team, Shangcun Community, Gongming Street, Guangming District, Shenzhen			
APPROVED BY				

Product Type No. : DESC	20.5x41-10Ts-0.08*105-15mm-CLB	version Rev: A0	CustomerCUST:	
			Amoy soft material numberEnd P/N:	
			Customer Material NumberCUST P/N:	

I. DimensionsDIMENSION:(mm)

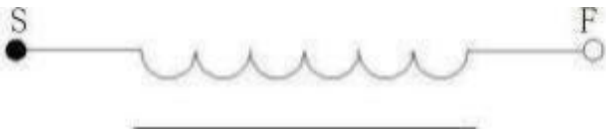


A	41.0±1
B	20.5±0.5
C	1.0+/-0.1
D1	17±2
D2	15±2
E	3-5mm
F	50±0.5
G	11.0 ref
H	4.8±0.2 Max
I	5.3 ref

Note:

- 1.Coil Mount Disk, Disk Dimensions 50±0.5mm, Inner Hole 5.3mm,thickDegree for1.0+/-0.1mm,Double Groove
- 2.Coil outlet position winding width 8mm ± 0.5 high temperature adhesive tape.
- 3.Magnetic tape back with tear position roundDiameter48mm(ref), Inner Hole7.0mm (ref) Thickness 2.5mm EVA foam.

II. SchematicSCHEMATIC DIAGRAM:



III. Winding parametersWinding Specification:

Serial number NO	terminal TERMINAL		Diameter WIRE	number of laps Turns	Winding direction Winding Direction
	S	F			
1	S	F	Silk cord0.08*105P	10Ts	CCW

IV. Electrical CharacteristicsELECTRICAL CHARACTERISTICS:

TemperatureTEMPERATURE :25 ±10 °C , humidityRELATIVE HUMIDITY :65±20%

Serial number NO	project ITEM	terminal TERMINAL	standard SPECIFICATION	Test conditions TEST FREQUENCY	Test instruments TEST EQUIPMENTS
1	IND.	S-F	3.8uH ±20%Separate coil	100KHz/1.0V	LCZ METER 1062B
2	IND.	S-F	6.5 uH ±10%Magnetic plate	100KHz/1.0V	LCZ METER 1062B
3	Q value	S-F	≤60(ref) Magnetic plate	100KHz/1.0V	LCZ METER 1062B
4	DCR	S-F	≤70m Ω		LCZ METER 502B

to copy/datePREPARED BY/DATE

Review/dateCHECKED BY/DATE

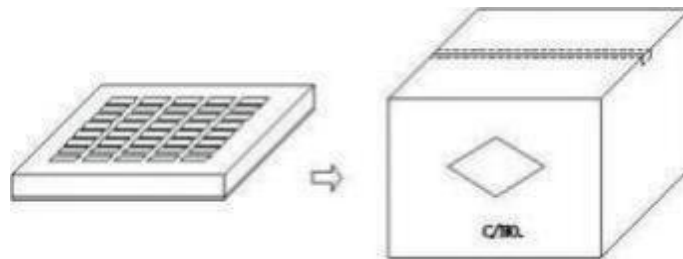
Feng Boqun2023/08/04

Su Yanping2023/08/04

Product Type No. : DESC	20.5x41-10Ts-0.08*105-15mm-CLB	version Rev: A 0	CustomerCUST:	
			Amoy soft material numberEnd P/N:	
			Customer Material NumberCUST P/N:	

V. PackagingPACKONG:

5.1 Pictures of PackagingPacking pictures:



5.2 Packing quantity and specificationPacking Quantity:

projectItem	NumberQuantity	Material specificationMaterial
boxBox	350 Pcs	370*265*55mm
boxBig Carton	1400 Pcs	390*270*245mm

SPECIFICATION

5.3 Packaging to the existing packaging tray as a reference standard to the actual shipment packaging shall prevail, If there are special requirements can be customized.

The packaging shall be based on the existing packing plate and the actual delivery package shall prevail. If there is any requirement, we can customize it.

VI. LIST OF MATERIALS Material list:

Serial number number	材料名称 Material name	品名描述 Description	制造商 Manufacturer
1	Silk cord	Silk cord 0.08*105P	Dongguan Jieyuan Electronic Material Co., Ltd.
2	Lead-free tin strip	Lead-free tin strip	Shenzhen Daoqin Tin Co., Ltd.
3	magnetic disk	50*5*1.0 mm Manganese zinc hard disk	Guangzhou Ruijing New Material Technology Co., Ltd.
4	glue	201 glue	Dongguan Feiquan Electronic Material Co., Ltd.
5	High temperature adhesive tape	8mm Wide high temperature adhesive tape	Dongguan Zhixing Tape New Material Co., Ltd.
6	Double-sided adhesive with hole	Round Diameter 48mm(ref) thickness 2.5mm Foam	Shenzhen Honvida Technology Co., Ltd.
to copy/date PREPARED BY/DATE		Review/date CHECKED BY/DATE	
Feng Boqun 2023/08/04		Su Yanping 2023/08/04	