

# CAMMUS

## CAMMUS C5

使用说明书

USER'S MANUAL



## 使用前须知事项

使用本产品前，请先仔细阅读本指南，并妥善保存，以备将来参考之用。家长及监护人应详读本指南并确保儿童遵守安全注意事项。

### 关于安全

本产品是在充分重视安全性能的情况下设计的，但仍然需要用户自行遵守基本使用规则，为确保安全，请遵守以下各项规则：

- \* 仅能在远离水源和潮湿环境运行。
- \* 仅能接入100-240V电压，且需保证电源接地良好。
- \* 请先确保基座电源按压开关处于关闭状态，然后将电源适配器的插头插到基座，再插100-240V电压的三脚插头。
- \* 拆装基座、方向盘或者其他配件请务必确保设备在断电状态下。
- \* 游玩力反馈游戏时，建议游戏时间为60分钟，每20分钟休息5分钟，游玩时间不超过120分钟。
- \* 进入游戏时若力反馈过大无法控制，请立即停止游戏并及时调整。
- \* 禁止设备在高温状态（ $\geq 60^{\circ}\text{C}$ ）下运行，高温时请勿触摸机壳表面。
- \* 在不使用设备或者离开设备时请务必关机。
- \* 禁止敲击碰撞和擅自拆开设备。
- \* 禁止使用非官方出厂的电源适配器，天线等附件。
- \* 禁止带电插拔基座上的所有接口（电源，USB，天线等）。

## 免责声明与警告

- \*本产品并非玩具，未满18岁请在成人陪同下使用。在有儿童出现的场景操作时请务必特别小心注意。
- \*请务必在使用产品之前仔细阅读本文档和《用户手册》，了解您的合法权益、责任和安全说明；否则，可能带来财产损失、安全事故和人身安全隐患。一旦使用本产品，即视为您已理解、认可和接受本文档全部条款和内容。使用者承诺对自己的行为及因此而产生的所有后果负责。使用者承诺仅出于正当目的使用本产品，并且同意本文档全部条款和内容及CAMMUS可能制定的任何相关政策或者准则。
- \*CAMMUS不承担因用户未按本指引《用户指南》使用产品所引发的一切损失，由此产生的设备损坏，CAMMUS有权拒绝保修。
- \*在遵从法律法规的情况下CAMMUS享有对本文档的最终权。CAMMUS有权在不事先通知的情况下，对本条款进行更新，改版或终止。

## 注意事项



为了您更方便快捷的使用CAMMUS C5，请您在安装使用前务必认真阅读本说明手册，它包含重要的产品与安全信息；请保留此手册以便后续有需要时进行参考。

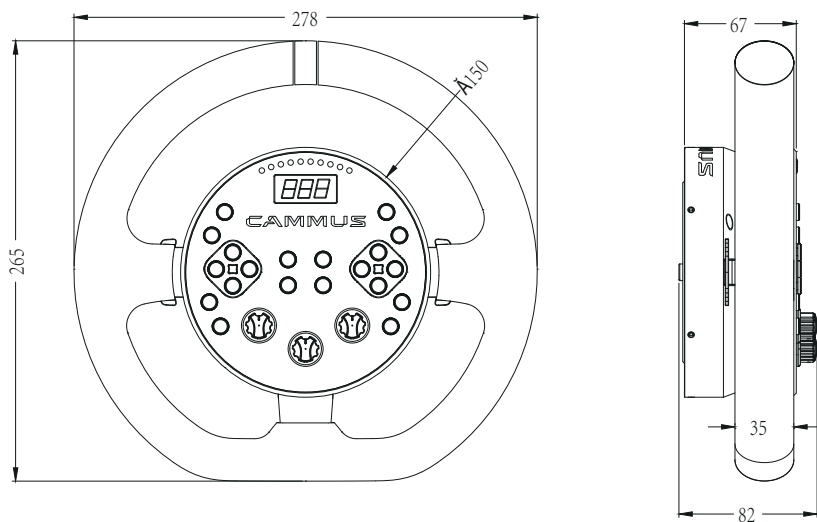
## 安全用电

严禁将设备和电源置于潮湿或雨水环境中，以避免造成设备短路、损坏及火灾、电击危险。

## 包装清单

方向盘盘面	*1
散热风扇	*1
T形支架(左)	*1
T形支架(右)	*1
桌面夹	*1 (选配)
USB数据线	*1
电源	*1
电源线	*1
紧固螺丝包	*1
保修卡+说明书	*1

## 外形尺寸概况



### 基本数据

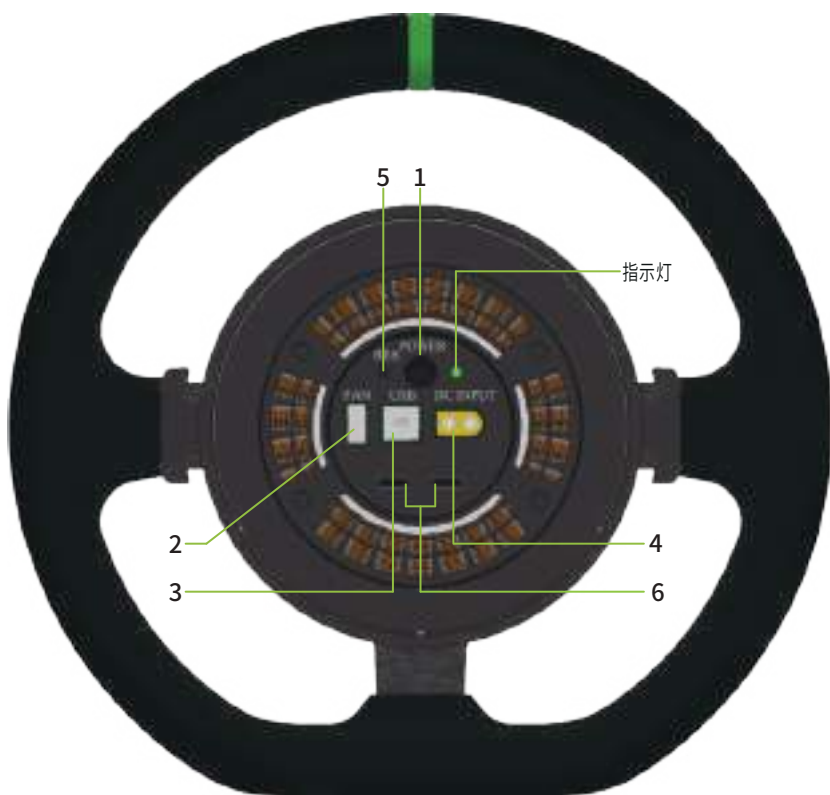
长宽高	278*265*82mm
裸机重	3.6Kg
力反馈技术	直驱伺服电机 (5Nm)
方向盘主体材质	铝合金 (AL6061)

支持PC主流赛车游戏

要求 (PC): Windows10, 50 MB 可用硬盘空间, USB 2.0 端口

## 方向盘背面接口详情：

接口详情参看图纸说明，如图所示；



所有按键功能均为自定义，以下为推荐设置

1. POWER：电源开关
2. FAN：风扇
3. USB：usb数据接线口
4. DC INPUT：电源数据接线
5. RES：复位键
6. Type-C：type-c数据接线口

## 方向盘正面接口详情：

接口详情参看图纸说明，如图所示；



所有按键功能均为自定义，以下为推荐设置

- |             |                |
|-------------|----------------|
| 1 ▲：方向按钮向上； | 2 ◀：方向按钮向左；    |
| 3 ▶：方向按钮向右； | 4 ▼：方向按钮向下；    |
| 5 A：倒退；     | 6 B：变更视点；      |
| 7 C：手刹；     | 8 D：闪灯并切换远近光灯； |



换挡拨片



## 安装步骤：

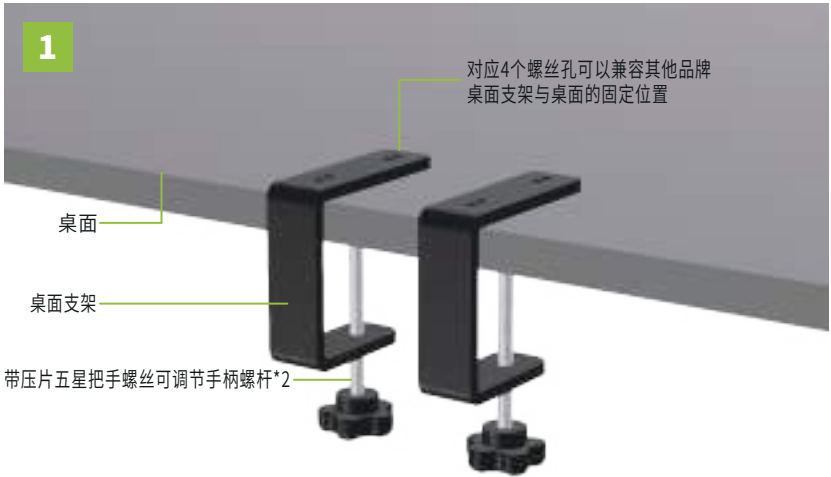


图1：将2件桌面支架放在桌面合适的位置上，并通过两支带压片五星把手螺丝可调节手柄螺杆旋转拧紧将桌面支架跟桌面紧固在一起；

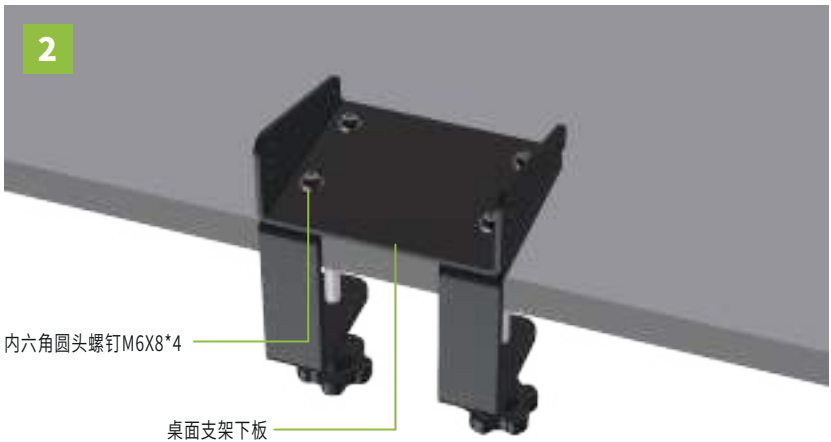


图2：将2件桌面支架放在桌面合适的位置上，并通过两支带压片五星把手螺丝可调节手柄螺杆旋转拧紧将桌面支架跟桌面紧固在一起；使桌面支架与桌面紧固在一起；

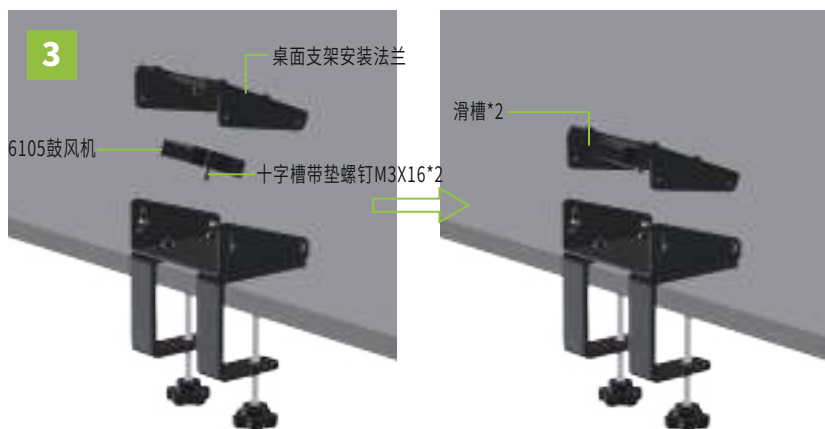


图3：将型号6105的鼓风机通过两颗M3X16的十字槽带垫螺钉紧固在桌面支架安装法兰上；



图4：将组装好的桌面支架安装法兰组件通过4颗M6X8内六角圆头螺钉紧固桌面支架下板；



图5：可以通过桌面支架下板的三颗螺丝孔来对桌面支架安装法兰的角度方向进行调节（上下方向各6度角度调节）；



图6：将方向盘整体通过4颗M6X12内六角沉头螺钉与底座法兰进行紧固连接在一起；



图7：将连接好后的整体方向盘组件通过滑槽插入桌面支架安装法兰上，并通过4颗M6X8内六角螺钉进行紧固连接起来，完成桌面方向盘的安装；



图8：连接好方向盘背面接口插座所需的电源线，UBS线，风扇线；完成端口插座接线的操作，即可享受两合一方向盘带来的游戏体验。

## APP获取及使用教程

用户可通过以下方式获取控制软件[CAMMUS]:

- 用户可进入相应支持页根据指引进行下载：  
(<https://cammus.com.cn>)
- 向卡妙思指定销售网点及渠道联系客服可以获得下载文件。



苹果移动端下载



安装演示视频

## 桌面端下载及固件更新

为保证用户的最佳体验，请将您的固件更新至最新版本。

用户可通过以下方式更新：

- 进入卡妙思官方网站  
(<https://cammus.com.cn/download/>) 下载最新桌面端并安装；
- 用户可通过最新桌面端的固件升级功能对设备固件进行更新；
- 如有疑问，通过电话向官方工作人员咨询：0755-86259940



微信公众号



官方网站

## 保修说明

本产品保修时间为1年，只在中国境内大陆地区有效（除台湾、澳门、香港地区），凭借产品保修卡以及购买产品的有效发票或规定的其他有效凭证，用户可以在有效时间内享受到保修服务。为了您能享受到CAMMUS的保修支持，请勿人为对机器造成损坏，请勿脱离官方或官方授权相关人员的指导进行对机器或系统的非正常使用操作。

### 服务规定

- 保修卡丢失不补发，请妥善保管，在需要维修服务时请出示；
- 保修卡不承担其他责任，包括但不限于偶尔发生的或随之而来的损坏或预计会得到的利益或利润的损失、由于使用或无法使用产品导致的工作停止或损坏等情况下的任何责任；
- 维修服务中更换下来的零件，均不交还用户；
- 维修服务有效期的计算方法以购买之日起为准；
- 保修卡中记载的内容如有与国家相关法律法规不符之处，以国家相关法律法规的规定为准。

### 不实行保修服务的情况

- 不能出示有效发票或/及保修规定的其他有效凭证和保修卡的；  
(根据三包规定能够证明产品在保修有效期内的除外)
- 保修卡有涂改痕迹或记载的产品信息与产品实物不符的；
- 产品上条形码被损或有涂改痕迹的；
- 消耗材料的自然消耗、磨损及老化的；
- 雷击或其它用电系统原因造成故障的；
- 事故、灾害、战争等不可抗力因素造成故障的；
- 因用户行为(自行改装、修理、或由非卡妙思授权的第三方拆动、改装、维修等)而损坏的；

## Precautions before use

Before using this product, please read this guide carefully and keep it for future reference. Parents and guardians should read this guide carefully and ensure that children Observe safety precautions.

### About security

This product is designed with full emphasis on safety performance, but users still need to abide by the basic rules of use. To ensure safety, please follow the

following rules:

- \*Only operate away from water and wet environment.
- \*Only 100-240V voltage can be connected, and it is necessary to ensure that the power supply is well grounded.
- \*Please make sure that the base power switch is turned off, then insert the power adapter plug into the base, and then insert the 100-240V three-pin plug.
- \*When disassembling the base, steering wheel or other accessories, please make sure that the device is powered off.
- \*The recommended gametime is 1 hour, with a 5-minute break every 20 minutes, we recommend a maximum of 2 hours playtime.
- \*If the feedback is too strong to control when entering the game, please stop the game immediately and adjust in time.
- \*It is forbidden to operate the device at high temperature ( $\geq 60^{\circ}\text{C}$ ), and do not touch the surface of the case when it is high temperature.
- \*Be sure to turn off the device when not in use or when leaving the device.
- \*It is forbidden to knock, collide or disassemble the device without authorization.
- \*The use of unofficial power adapters, antennas and other accessories is prohibited.
- \*It is forbidden to plug and unplug all interfaces (power supply, USB, antenna, etc.) on the base with power on.

## Disclaimer and Warning

\*This product is not a toy, please use it under the accompaniment of an adult if you are under the age of 18. Be especially careful when operating in scenes where children are present.

\*Be sure to read this document and the User Manual carefully before using the product to understand your legal rights, responsibilities and safety instructions; otherwise, property losses, safety accidents and personal safety hazards may occur. Once you use this product, you are deemed to have understood, approved and accepted all the terms and contents of this document. Users promise to be responsible for their actions and all consequences arising therefrom. The user promises to use this product only for legitimate purposes, and agrees to all the terms and content of this document and any relevant policies or guidelines that CAMMUS may formulate.

\*CAMMUS is not responsible for all losses caused by users not using the product in accordance with this "User Guide", and CAMMUS has the right to refuse warranty for equipment damage caused by this.

\*CAMMUS reserves the final right to this document in compliance with laws and regulations. CAMMUS has the right to update, revise or terminate this clause without prior notice.

## Precautions



In order to use the CAMMUS C5 safely and properly, please read this instruction manual carefully before installation and use. It contains important product and safety information; please keep this manual for future reference.

### Electricity safety

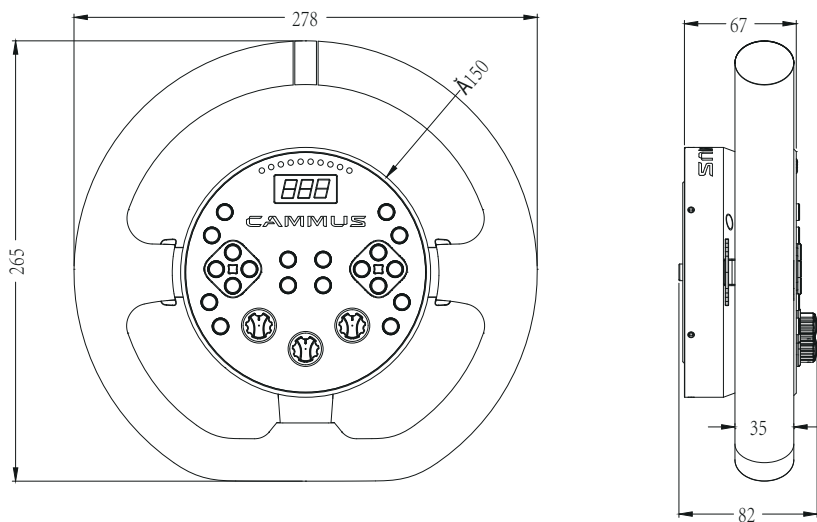
Do not place the device in a humid or rainy environment to avoid short-circuiting, damage, fire, electric shock and other risks.

## Packing list

Steering wheel surface	*1
Cooling fan	*1
T-shaped bracket-left	*1
T-shaped bracket-right	*1
Desktop clamp	*1 (optional)
USB data cable	*1
Power	*1
Power cord	*1
Fastening screw package	*1
Warranty card + manual	*1



## Dimension overview



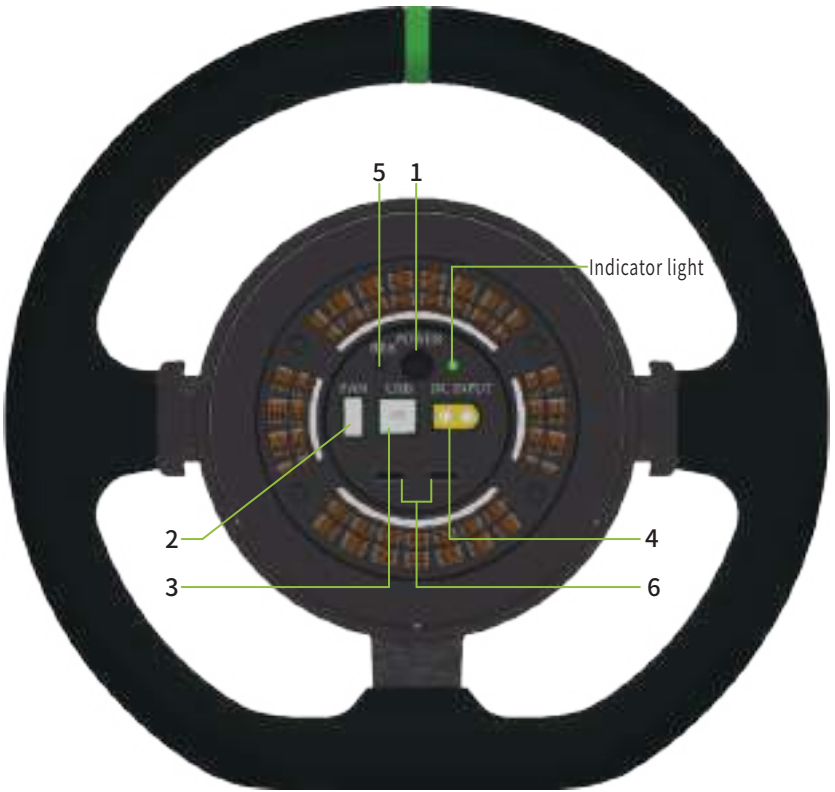
Basic Data	
Length, width and height	278*265*82mm
Bare weight	3.6Kg
Force Feedback	Technology Direct Drive Servo Motor (5Nm)
Steering wheel main	material aluminum alloy (AL6061)

Support PC mainstream racing games

Requirements (PC): Windows10, 50 MB free hard disk space, USB 2.0 portb

## Interface details on the back of the steering wheel:

For interface details, refer to the drawing description, as shown in the figure.



All button functions are customized, the following are recommended settings.

1. POWER: power switch
2. FAN: fan
3. USB: usb data connection port
4. DC INPUT: power data connection
5. RES: reset button
6. Type-C: type-c data connection port

## Details of buttons on the front of the steering wheel:

For interface details, refer to the drawing description, as shown in the figure.



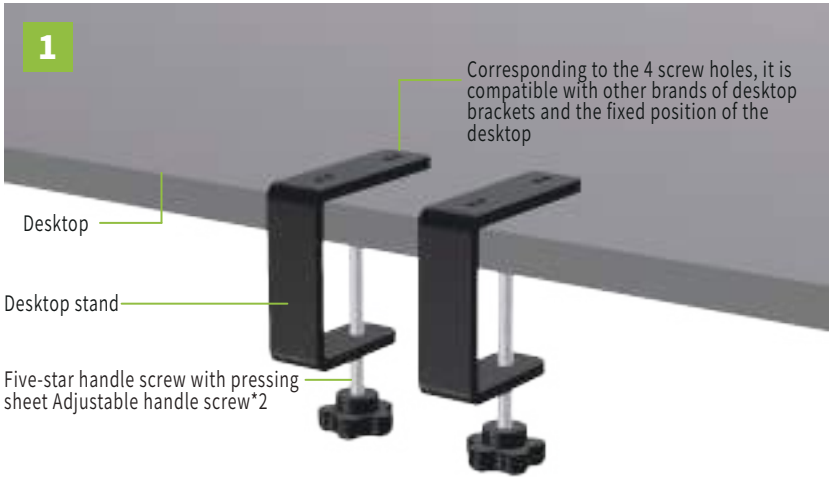
All button functions are customized, the following are recommended settings.

- 1 ▲ :The direction button is up
- 2 ◀ :The direction button is left
- 3 ▶ :The direction button is right
- 4 ▼ :The direction button is down
- 5 A :Reverse
- 6 B :Change viewpoint
- 7 C :Hand brake
- 8 D :Flashing lights and switching high and low beams

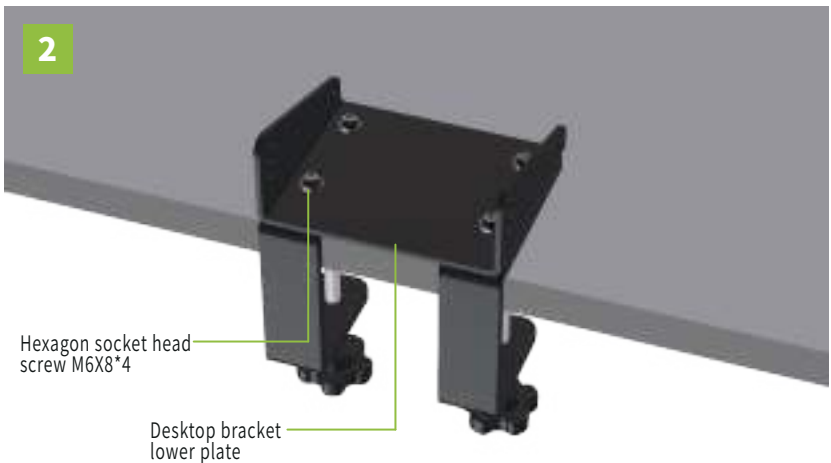


paddle shifter

## C5 desktop application installation steps:



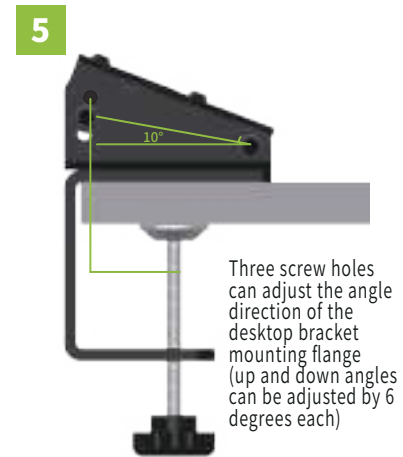
1. Put the 2 pieces of desktop brackets on the appropriate position on the desktop. And tighten the adjustable handle screw through two five-star handle screws with pressing pieces to fasten the desktop brackets with the desktop.



2. Fix the lower plate of the desktop bracket and the desktop bracket together. And insert 4 M6X8 hexagon socket head screws into the corresponding screw holes to fasten the desktop bracket and the desktop together.



3. Fasten the blower of model 6105 to the mounting flange of the desktop bracket with two M3X16 cross-recessed screws with pads.



4. Fasten the assembled flange assembly of the desktop bracket with 4 M6X8 hexagon socket head screws The lower plate of the desktop support.

5. Adjust the angle direction of the mounting flange of the desktop support through the three screw holes on the lower plate of the desktop support (Adjustable 6 degrees each up and down).



6. Fasten and connect the steering wheel with the base flange through 4 M6X12 hexagon socket head screws.

7. Insert the connected steering wheel assembly into the mounting flange of the desktop bracket through the chute, and pass 4 Fasten and connect with two M6X8 socket head cap screws. Thus, the installation of the desktop steering wheel is completed.



8. Connect the power cable, UBS cable and fan cable required for the interface socket on the back of the steering wheel. Complete the port socket wiring operation. And you can enjoy the gaming experience brought by the two-in-one steering wheel.

## APP acquisition and usage tutorial

Users can obtain the control software [CAMMUS] in the following ways.

- Users can enter the corresponding support page to download according to the guidelines (cammusracing.com).
- Contact customer service at the designated sales outlets and channels of CAMMUS to obtain the download file.



Apple mobile  
download



Installation  
Demo Video

## Desktop download and firmware update

To ensure the best user experience, please update your desktop and firmware to the latest version.

Users can update by:

- Enter CAMMUS official website (cammusracing.com) to download and install the latest desktop;
- Users can update the device firmware through the latest desktop firmware upgrade function;
- If you have any questions, please consult us by email: [media@cam-mus.com](mailto:media@cam-mus.com)



## Warranty

The warranty period of this product is 1 year(except EURO,which is 2 years). With the product warranty card, valid invoice or/and other valid certificates for purchasing the product, users can enjoy the product within the valid period. In order for you to enjoy the warranty support of CAMMUS, please do not artificially damage the machine, and do not operate the machine or system abnormally under the guidance of the official or official authorized personnel.

### Service Regulations

- The warranty card will not be reissued if it is lost, please keep it properly and present it when repair service is required.
- The warranty card does not assume other responsibilities, including but not limited to any accidental or consequential damage or loss of expected benefits or profits, work stoppage or damage due to use or inability to use the product, etc. responsibility.
- The parts replaced in the maintenance service will not be returned to the user.
- The calculation method of the validity period of the maintenance service is based on the date of purchase.
- If there is any discrepancy between the content recorded in the warranty card and the relevant national laws and regulations, the relevant national laws and regulations shall prevail.

### Cases where warranty service is not performed

- Unable to produce valid invoices or/and other valid certificates and warranty cards stipulated in the warranty. (except for those that can prove that the product is within the validity period of the warranty according to the Three Guarantees regulations)
- The warranty card has traces of alteration or the recorded product information is inconsistent with the actual product.
- The barcode on the product is damaged or has traces of alteration.
- Natural consumption, wear and aging of consumable materials.
- Faults caused by lightning strikes or other electrical system reasons.
- Failures caused by force such as accidents, disasters, and wars.

- Damaged due to user behavior (self-refitting, repairing, or dismantling, refitting, repairing, etc. by a third party not authorized by CAMMUS).
  - Software failure of peripherals or accessories that are not configured by the product itself and cause product failure.
  - The use of third-party software that is not pre-installed on the product fails and causes product failure.
  - It is used for failure or damage of products whose product instructions do not clearly state that they are compatible with the product.
  - Faults caused by improper use or storage such as liquid damage, dampness, external force extrusion, drop, etc.
  - Using pirated software or infecting with viruses during use causes malfunctions.
  - Beyond the validity period of the warranty.
  - Failure to use, maintain, and store according to the product instructions.
- Products not distributed by CAMMUS.

## Supplementary Note

\*People who use or experience your device for the first time must be guided by the owner of the device.

\*Hair, Loose clothing, cables, skirts, or other objects easily damaged or wrapped around wheel, should be kept away from the simulator.

\*For users who use this product for simulated game activities, it is recommended to drive the car 30 minutes after the game is over.

\*This instruction manual is only used as a general manual for a single product.

\*The products demonstrated in this manual are only used as product descriptions and not as sales instructions.

The specific styles of products are subject to the purchase of the user.

\*This manual is subject to update without prior notice. You can check the latest version of "User Manual" and other information on the CAMMUS official website and official information release platform.

[www.cammusracing.com](http://www.cammusracing.com) If you have any questions or suggestions about this instruction manual and all CAMMUS products, please contact us through information channels.

Thank you again for supporting CAMMUS!

This device complies with part 15 of the FCC Rules. Operation is subject to the following two conditions: (1) This device may not cause harmful interference, and (2) this device must accept any interference received, including interference that may cause undesired operation.

Any Changes or modifications not expressly approved by the party responsible for compliance could void the user's authority to operate the equipment.

**Note:** This equipment has been tested and found to comply with the limits for a Class B digital device, pursuant to part 15 of the FCC Rules. These limits are designed to provide reasonable protection against harmful interference in a residential installation. This equipment generates uses and can radiate radio frequency energy and, if not installed and used in accordance with the instructions, may cause harmful interference to radio communications. However, there is no guarantee that interference will not occur in a particular installation. If this equipment does cause harmful interference to radio or television reception, which can be determined by turning the equipment off and on, the user is encouraged to try to correct the interference by one or more of the following measures:

- Reorient or relocate the receiving antenna.
- Increase the separation between the equipment and receiver.
- Connect the equipment into an outlet on a circuit different from that to which the receiver is connected.
- Consult the dealer or an experienced radio/TV technician for help.

FCC Radiation Exposure statement

The device has been evaluatec to meel general RF exposure requirement. The device can be used in porlable exposure condition without restriction.

# 合格证

CERTIFICATE

产品型号: \_\_\_\_\_  
Product number

检验员: \_\_\_\_\_  
Inspector:

生产日期: \_\_\_\_\_  
Production Date:



- 与产品一同使用的非产品自身配置的外设或附件的软件故障及其导致产品故障的；
- 非产品预装的第三方软件的使用故障及其导致产品故障的；
- 用于产品说明未明确声明与该产品兼容的产品而故障、损坏的；
- 由于进液、受潮、外力挤压、掉落等使用或保管不当造成故障的；
- 使用盗版软件或在使用过程中感染病毒造成故障的；
- 超过保修有效期的；
- 未按产品使用说明要求使用、维护、保管而造成故障的；
- 非卡妙思经销的产品。

## 补充说明

\*首次使用或体验您的设备的人士须有该设备所有者进行指导。

\*头发、电缆、裙摆等宽松衣物或其他易缠结物应远离模拟器。

\*用户使用本产品进行模拟游戏活动，建议游戏结束30分钟后驾驶汽车。

\*本说明手册仅作为单款产品(包括单款产品下不同款式)通用说明手册，在本手册中演示产品仅作为产品说明不作销售说明使用，具体款式产品以用户购买的为准。

感谢您的阅读，祝您使用愉快。

本手册如有更新，恕不另行通知。您可以在CAMMUS官方网站及官方信息发布平台查询最新版本《用户手册》及其他资讯。

[www.cammus.com](http://www.cammus.com)如您对本说明手册及CAMMUS全系产品有任何疑问和建议，请通过信息渠道联系我们。

再次感谢您对CAMMUS的支持！

**CAMMUS**