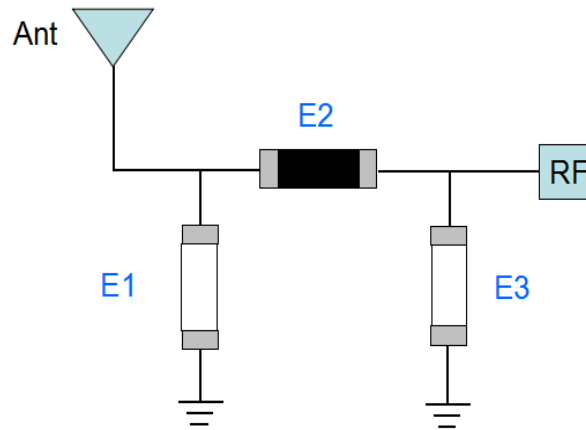


Antenna Test Report



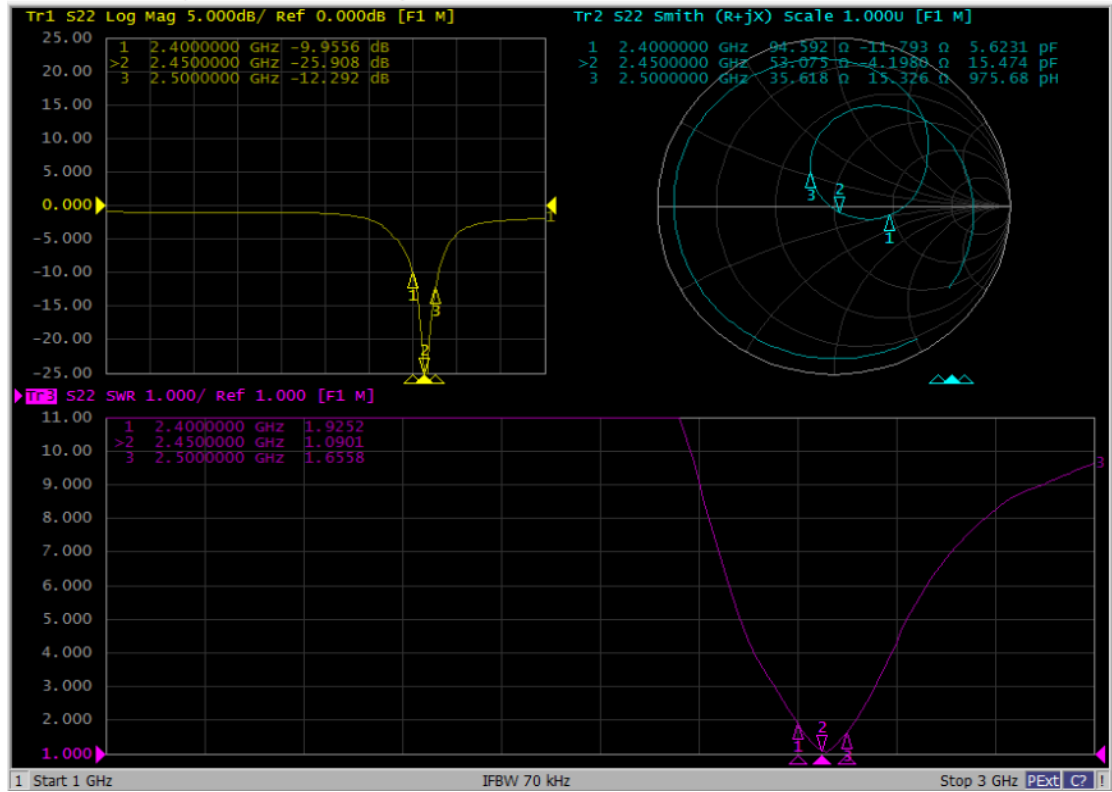
Matching Circuit	
Element	Value
E1 (0201)	N/A
E2 (0201)	0Ω
E3 (0201)	N/A

NOTE: No matching change

Return loss/Smith

E5071C Network Analyzer

1 Active Ch/Trace 2 Response 3 Stimulus 4 Mkr/Analysis 5 Instr State



Efficiency

Freq (MHz)	Effi (%)	Effi (dB)	Gain (dBi)
2400	21.34	-6.71	-2.95
2410	21.62	-6.65	-2.86
2420	22.79	-6.42	-2.49
2430	23.89	-6.22	-2.17
2440	25.46	-5.94	-1.8
2450	25.35	-5.96	-1.74
2460	24.23	-6.16	-1.84
2470	21.8	-6.62	-2.17
2480	21.1	-6.76	-2.27
2490	21.31	-6.71	-2.06
2500	21.74	-6.61	-1.92

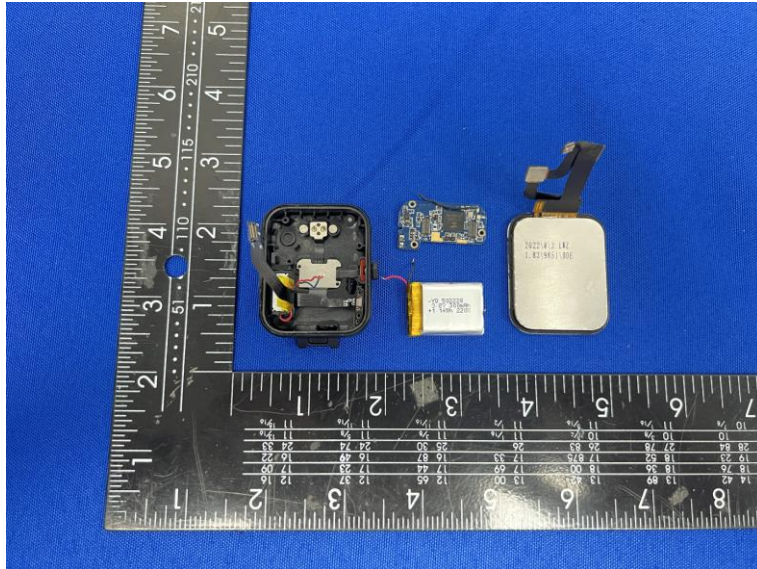


Figure antenna structure

天线实物图片Physical picture

