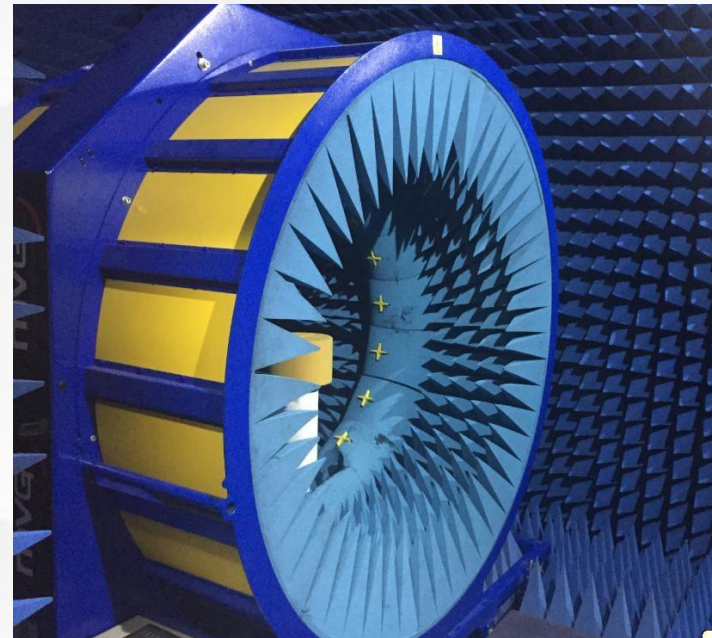


Antenna test Report

Client:zhouhai
Project name:H012
RF:PangGong
Date:2023.06.06
Version:V0.1

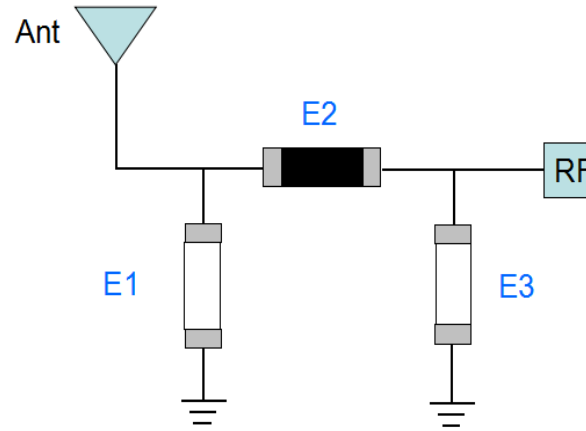
Laboratory testing environment and equipment



Test items	Test equipment
S11、S12、VSWR、LOSS	network analyzer E5071B、E5062A
Efficiency、Gain 3D Radiation Pattern	Satimo SG16darkroom、GP7*4*3darkroom、E5071B
TRP、TIS	Satimo SG16darkroom、GP7*4*3darkroom、8960、CMW500、MT8820C、E4438C、

Type of complete machine	Adult bracelet				
	Frequency band information	antenna form	Matching	Gain (dBi)	
Antenna type and frequency band information	antenna	2400-2500MHz	IFA	NA	-3.46
Antenna material	FPC				

Suggested Matching Circuit



	Element	Value	Description of attached drawings	
main	E1(0201)			
	E2(0201)	0Ω		
	E3(0201)			

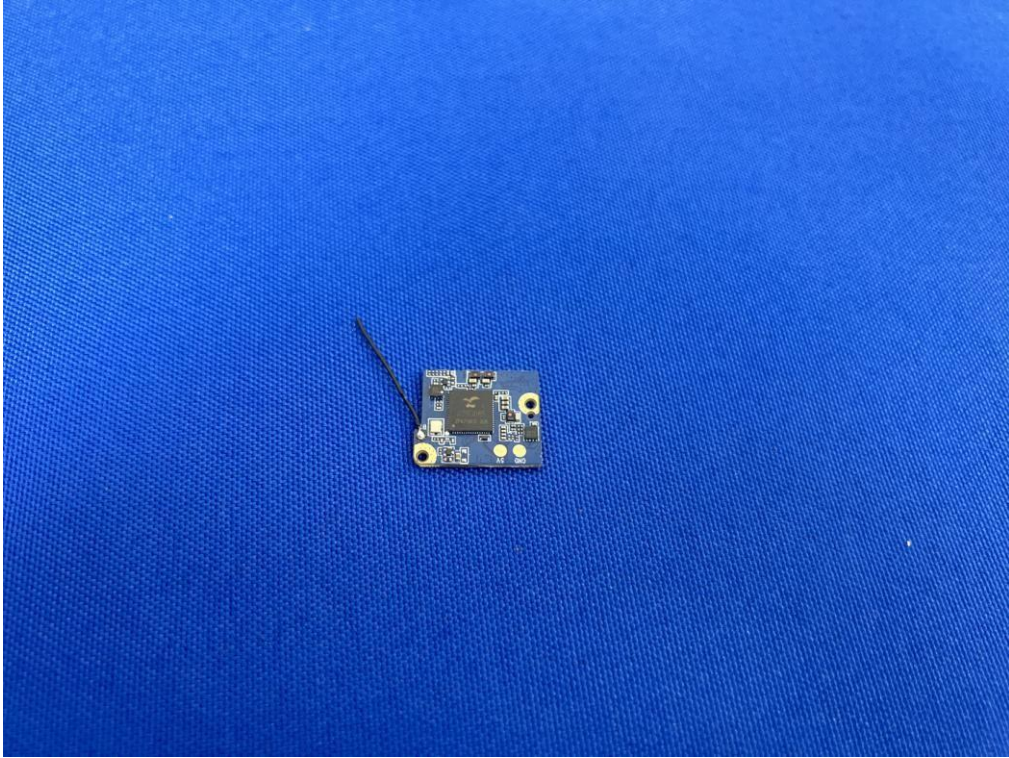
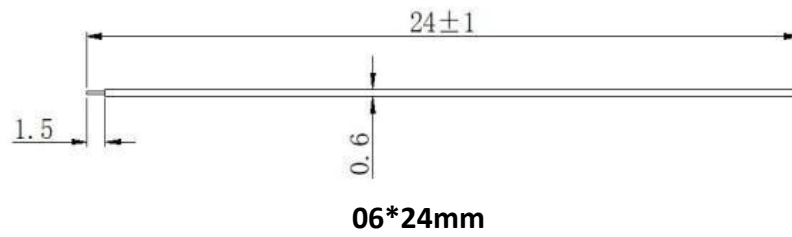
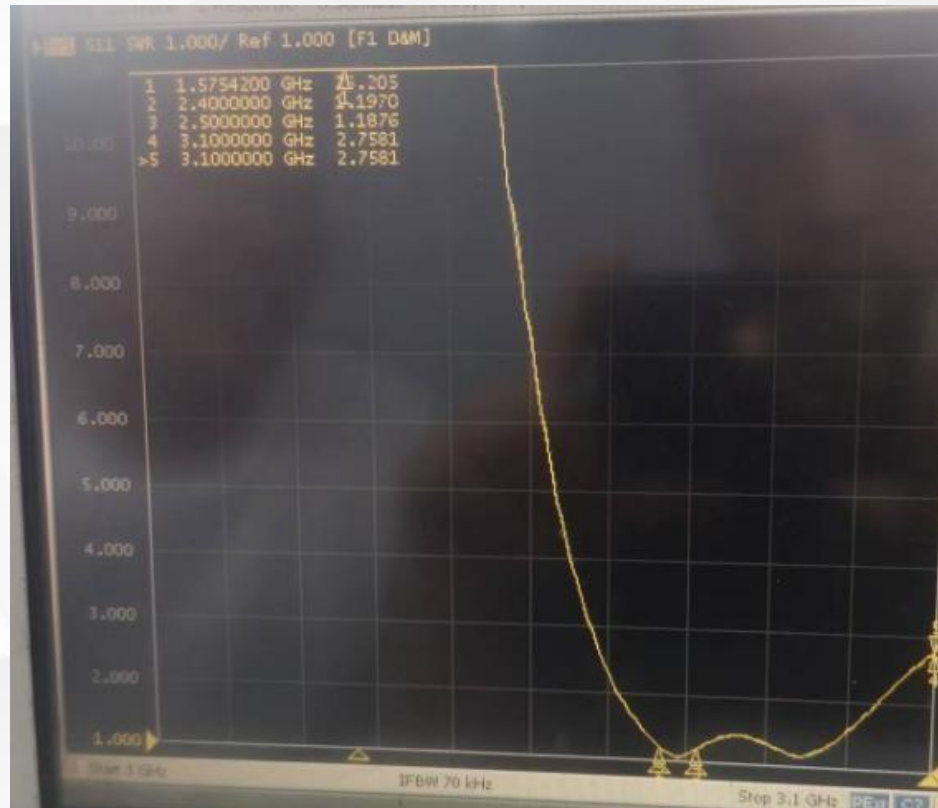


Figure antenna structure

天线实物图片Physical picture



S11



S11



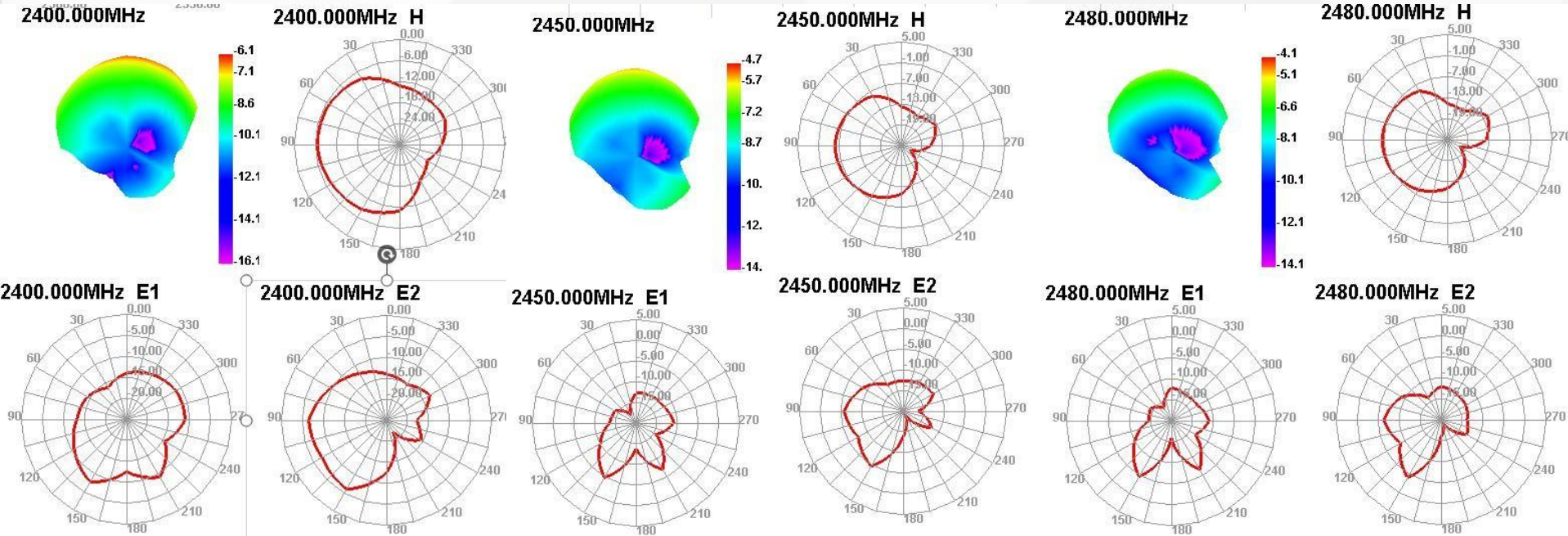
S11



Passive Efficiency

Passive Test For WIFI2.4			
Freq (MHz)	Effi (%)	Effi (dB)	Gain (dBi)
2400	8.23	-10.85	-3.46
2410	8.46	10.73	-5.22
2420	8.05	-10.94	-5.97
2430	8.45	-10.73	-5.49
2440	9.34	-10.29	-4.89
2450	9.46	-10.24	-4.68
2460	9.42	-10.26	-4.51
2470	8.84	-10.53	-4.49
2480	9.12	-10.4	-4.1
2490	9.18	-10.37	-3.63
2500	9.38	-10.28	-3.29

Radiation Pattern



Contact Information

RF : Pang Gong

Tel : 13819148423

E-mail : kpsyanfa3@szkpstx.com

Supplier address: 2nd Floor, Building 1, Yulong Building, Longcheng Industrial Zone, No.440, Longguan Avenue, Longhua District, Shenzhen