



Antenna test report

HEYUAN XUNWEI MICROWAVE
COMMUNICATION CO.,LTD

RF: wangxinfeng

Date: 2023.01.08

Contents:

Test equipment

Modal information

Matching circuit

Active performance

Antenna dimension drawing

test data

Test equipment

Wireless communications test set: CMW500

Network Analyzer: Agilent 5071B

Anechoic Chamber : SATIMO SG24

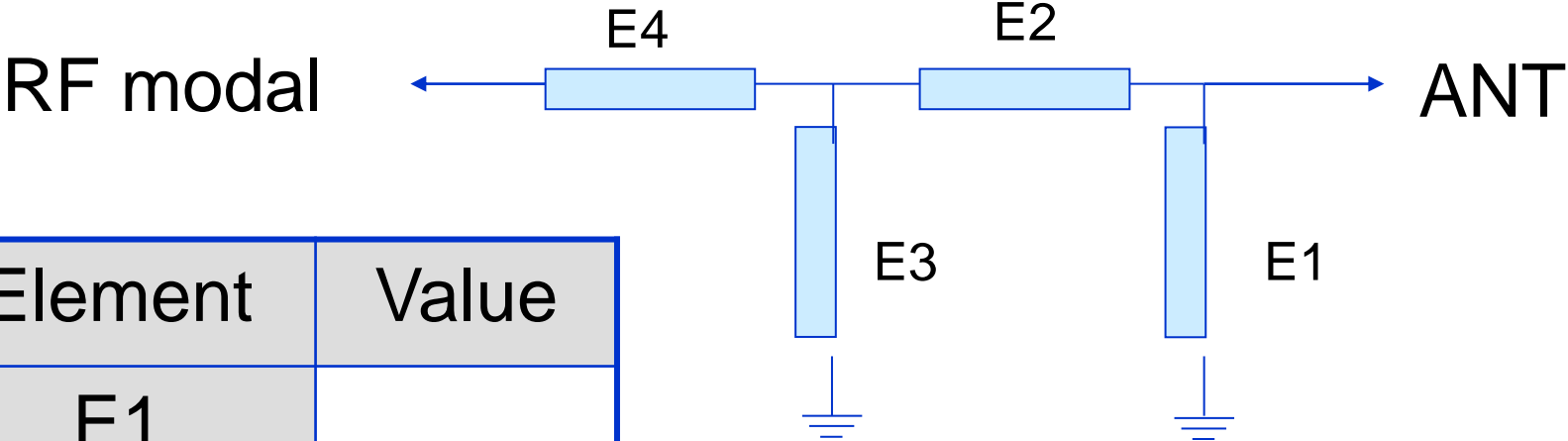


Antenna information

Customer	Boat of wealth
Antenna model	FPC
Antenna type	PIFA

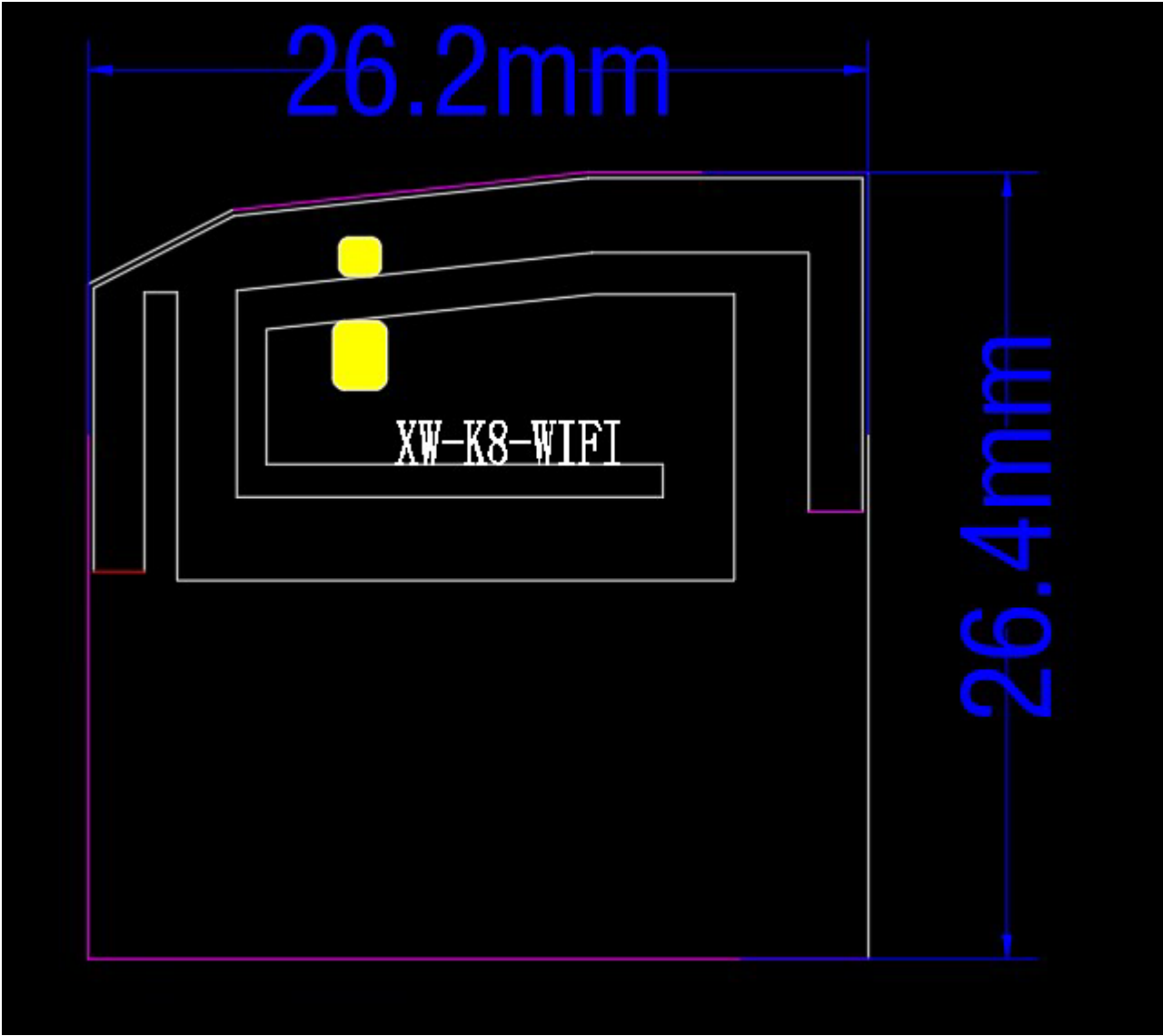
frequency range (MHz)	2400–2500	5000–6000
VSWR	<3.5	<4.0

Matching circuit (No modification)



Element	Value
E1	
E2	
E3	
E4	

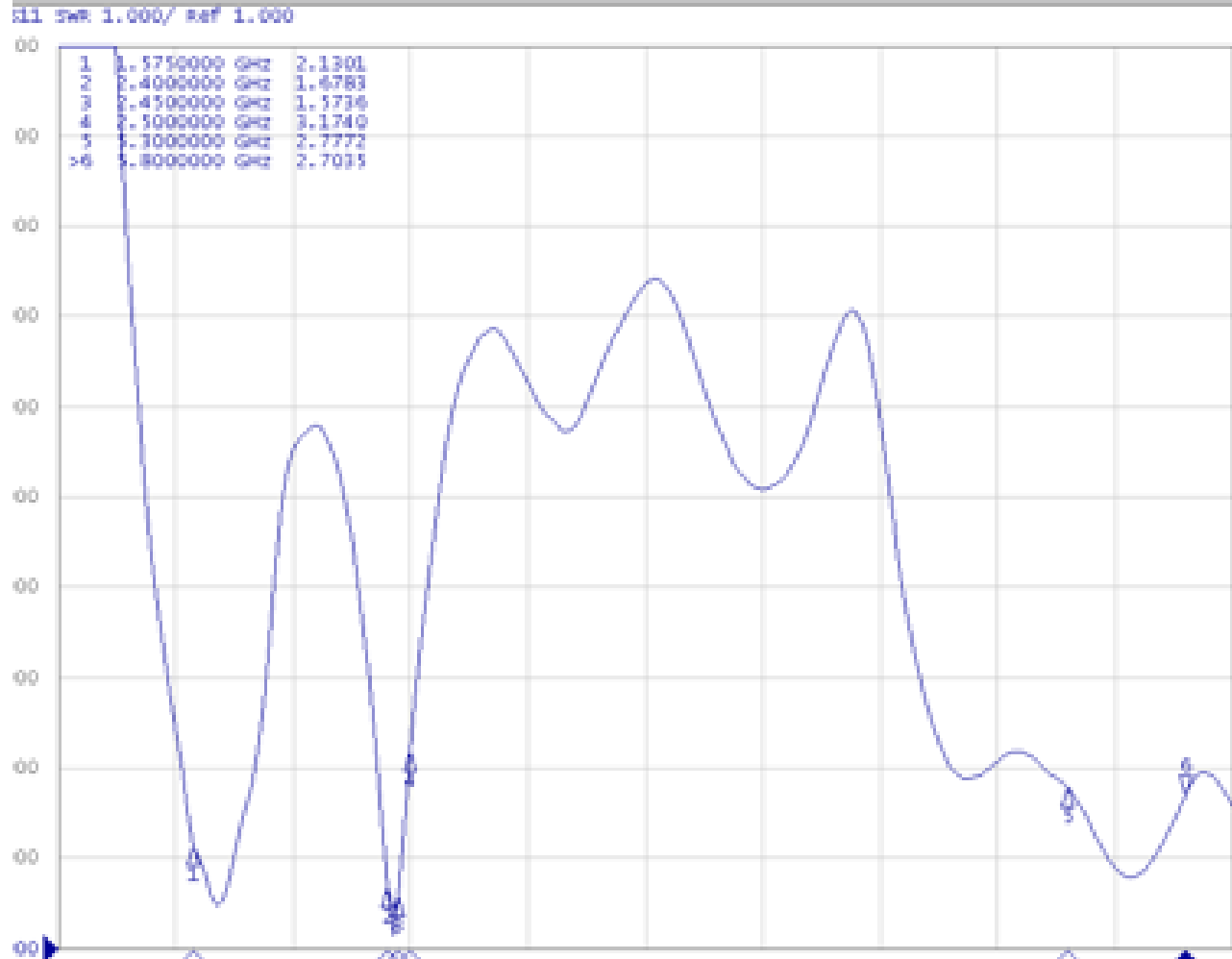
Antenna dimension drawing



test data

(Passive efficiency test data)

S11 parameters



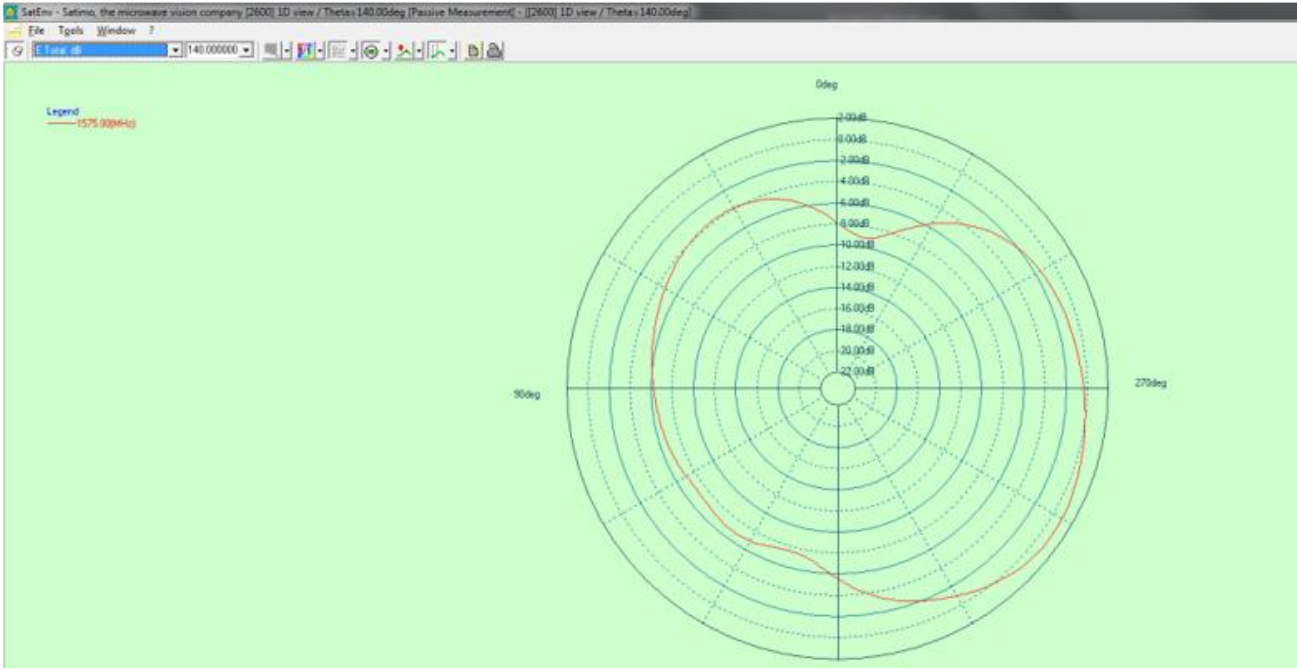
BT+2.4G WIFI efficiency and gain

WIFI		
Frequency	Efficiency (%)	Gain Max (DBI)
2400MHZ	38.65%	-0.88
2410MHZ	38.28%	-0.88
2420MHZ	40.41%	-0.8
2430MHZ	41.04%	-0.87
2440MHZ	42.11%	-0.85
2450MHZ	42.21%	-0.89
2460MHZ	43.24%	-0.98
2470MHZ	45.87%	-0.95
2480MHZ	44.73%	-0.93
2490MHZ	44.50%	-0.88
2500MHZ	43.77%	-0.87

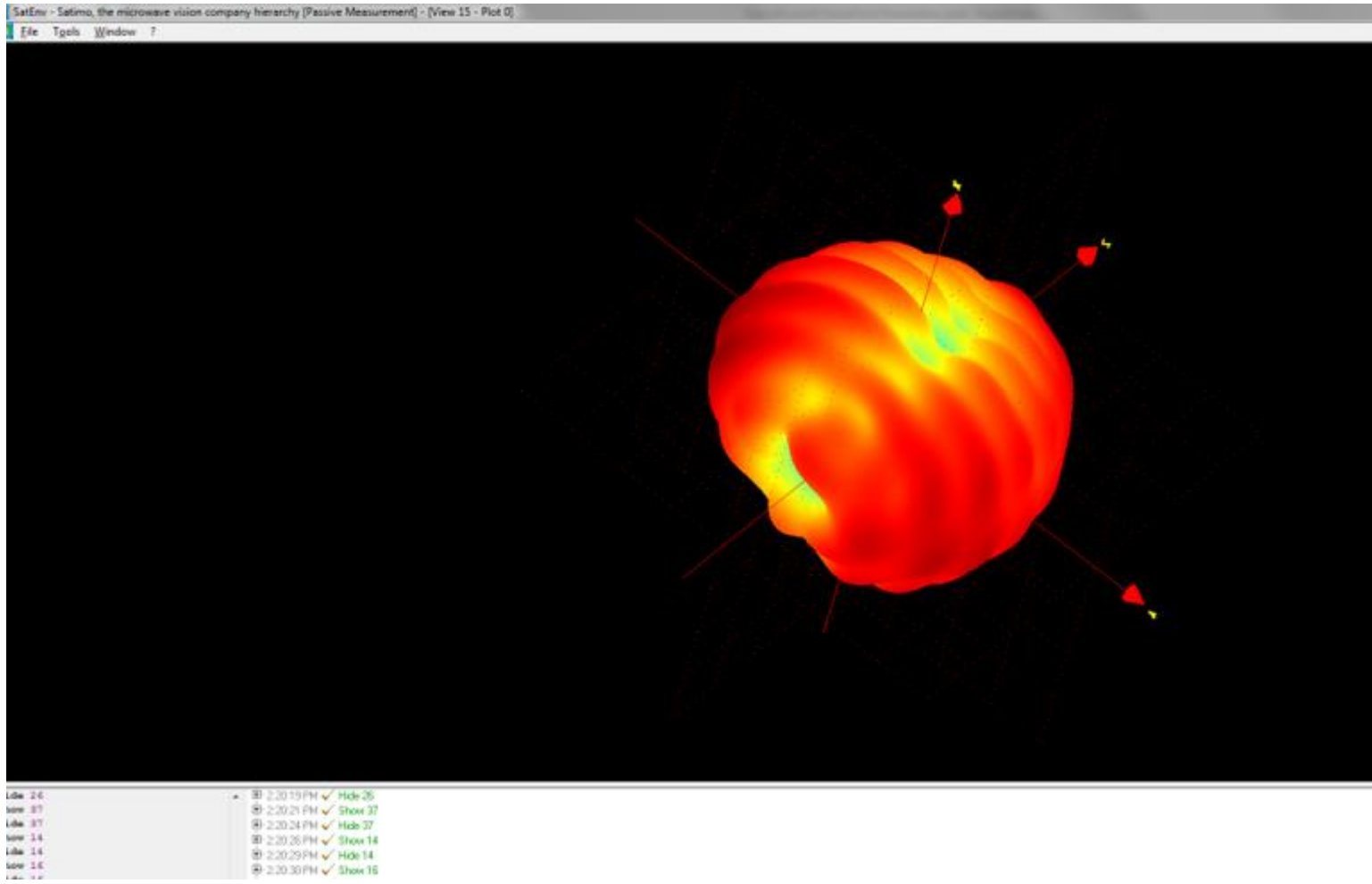
5G efficiency and gain

5G		
Frequency	Efficiency (%)	Gain Max (DBI)
5100MHZ	33.44	-0.72
5150MHZ	33.47	-0.59
5250MHZ	32.82	-0.69
5300MHZ	32.30	-0.73
5350MHZ	31.62	-1.09
5400MHZ	37.97	-0.3
5450MHZ	34.20	-0.44
5500MHZ	29.71	-1.78
5550MHZ	22.45	-1.38
5650MHZ	22.13	-2.4
5700MHZ	27.08	-1.69
5750MHZ	23.42	-2.49
5800MHZ	20.85	-1.68
5850MHZ	26.01	-2.86
5900MHZ	36.38	-0.36

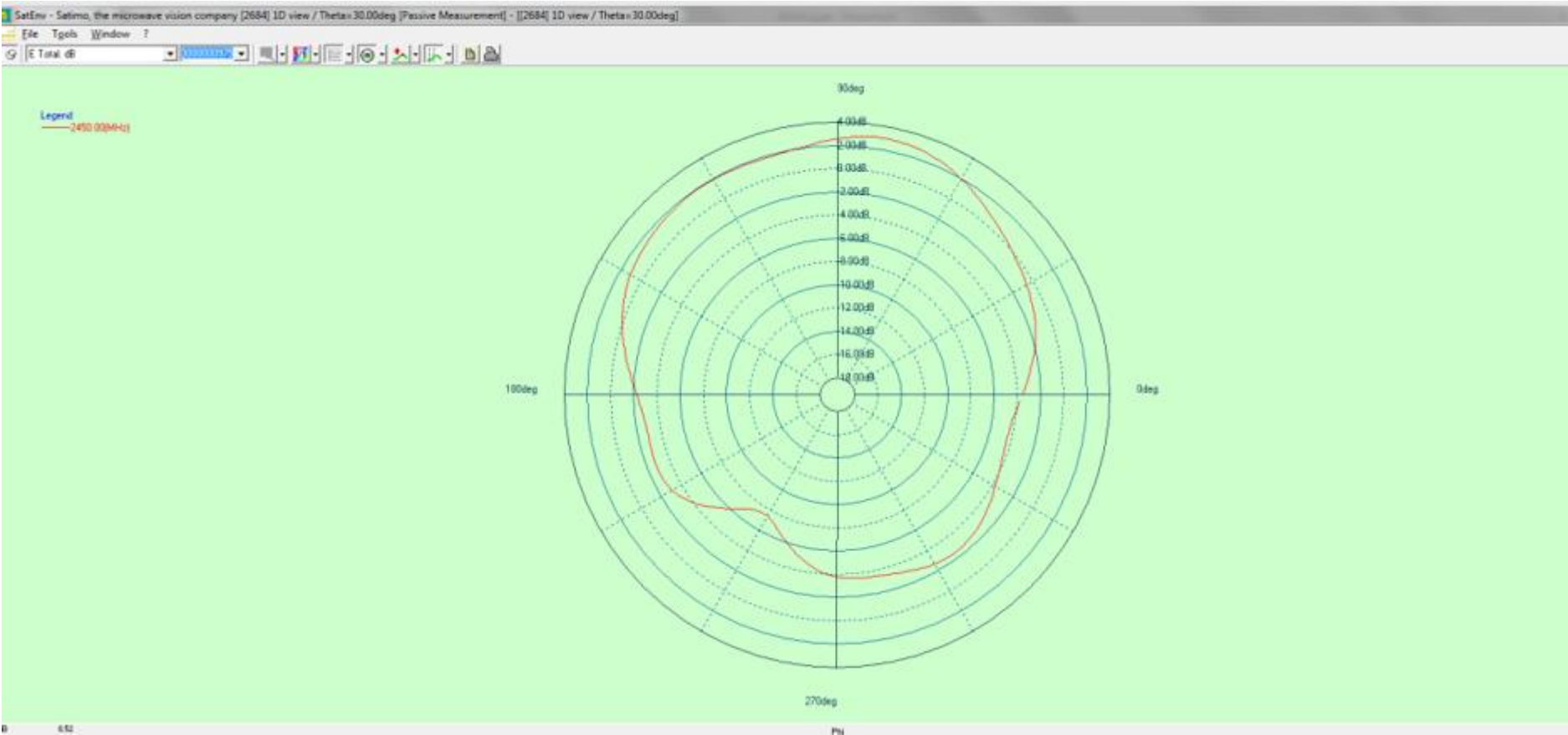
5G test direction map



5G test direction map



BT+2.4G WIFI test direction map



WIFI test direction map

