

## Panorama Home Security Camera Quick Start Guide

**FCC Warning**  
This device complies with part 15 of the FCC rules. Operation is subject to the following two conditions: (1) this device may not cause harmful interference, and (2) this device must accept any interference received, including interference that may cause undesired operation.

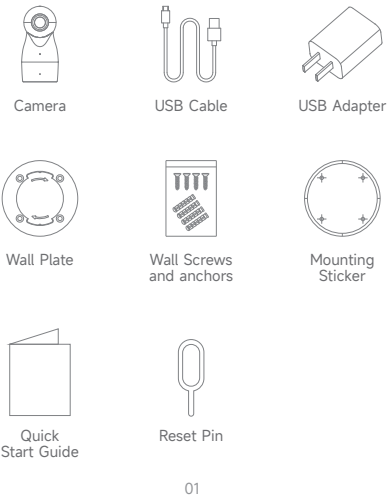
Changes or modifications not expressly approved by the party responsible for compliance could void the user's authority to operate the equipment.

**NOTE:** This equipment has been tested and found to comply with the limits for a Class B digital device, pursuant to part 15 of the FCC Rules. These limits are designed to provide reasonable protection against harmful interference in a residential installation. This equipment generates uses and can radiate radio frequency energy and, if not installed and used in accordance with the instructions, may cause harmful interference to radio communications. However, there is no guarantee that interference will not occur in a particular installation. If this equipment does cause harmful interference to radio or television reception, which can be determined by turning the equipment off and on, the user is encouraged to try to correct the interference by one or more of the following measures:

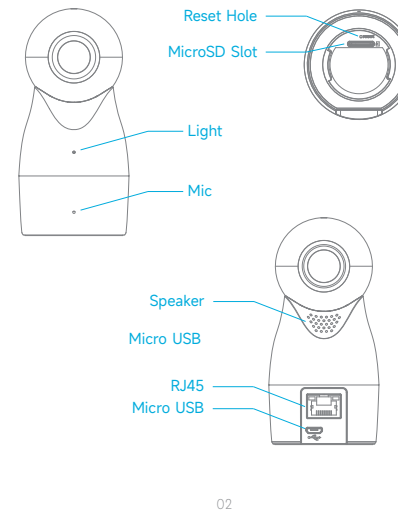
- Reorient or relocate the receiving antenna.
  - Increase the separation between the equipment and receiver.
  - Connect the equipment into an outlet on a circuit different from that to which the receiver is connected.
  - Consult the dealer or an experienced radio/TV technician for help.
- Radiation Exposure Statement  
This equipment complies with FCC radiation exposure limits set forth for an uncontrolled environment. This equipment should be installed and operated with minimum distance 20cm between the radiator and your body.

Model: EC43

### What's in the box

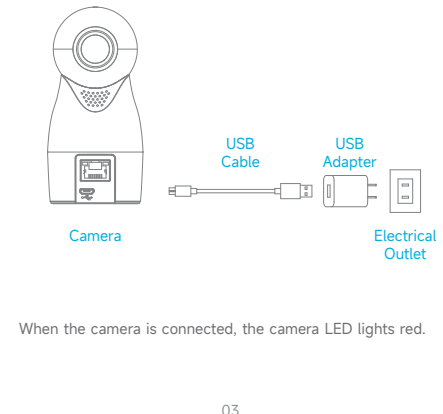


### Interfaces Introduction



### Power your camera

1. Connect the USB cable to the USB adapter.
2. Connect the USB cable to the camera.
3. Plug the USB adapter into a indoor electrical outlet.

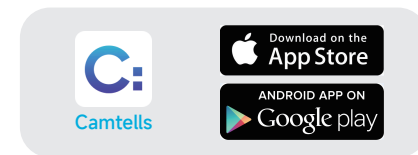


### Get the app

Download the free Camtells app to get started.



Scan QR Code to download app

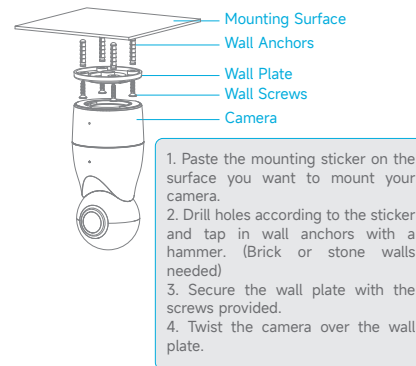


Open Camtells app, tap + to add your camera by following app guides.

04

### Install your camera

You can place your camera on a flat surface or you can mount it to a wall or ceiling. Choose a location with a clear, unblocked field of view and with a good Wi-Fi connection.



### Safety Information

1. Handle your device with care. You may damage the device if you disassemble, drop, burn, crush or puncture your device.
  2. Power your device with the included cable and adapter or suggested by the manufacturer as an option.
  3. Be sure the power cable and device are well ventilated when in use. Using a damaged power cable or using it when moisture is present can cause fire, electric shock, injury, or damage to the device or other property.
  4. Do not expose your device to liquids, which can cause a short circuit and overheating. If the device gets wet, do not attempt to dry it using an external heat source.
  5. Do not expose your device to temperatures above 140°F (60°C) or under 32°F (0°C) as this may damage the device.
  6. Unplug the device and power adapter before cleaning. Use a clean, soft, and dry cloth to clean your device. Do not use any chemical detergent, powder, or other chemical agents (such as alcohol or benzene) to clean the device.
  7. To avoid strangulation hazard, keep the product package out of the reach of children.
- 06

### Hardware Warranty

Thank you for selecting our products.

#### What this warranty covers

You are entitled to a replacement or refund of the amount, if any, that you actually paid for the product, for a major failure and compensation for any other reasonably foreseeable loss or damage. You are also entitled to have the goods repaired or replaced if the goods fail to be of acceptable quality and the failure does not amount to a major failure. The length of the warranty is one-year from the date of purchase.

#### What is not covered by the warranty

This warranty does not apply if the product fails due to damage from shipment, handling, storage, accident, abuse or misuse, or if it has been used or maintained in the manner not conforming to product manual instructions. Repair or modification of the product by anyone other than our company or our company approved agent will void this warranty.

07