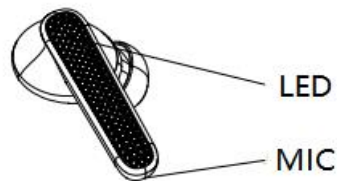
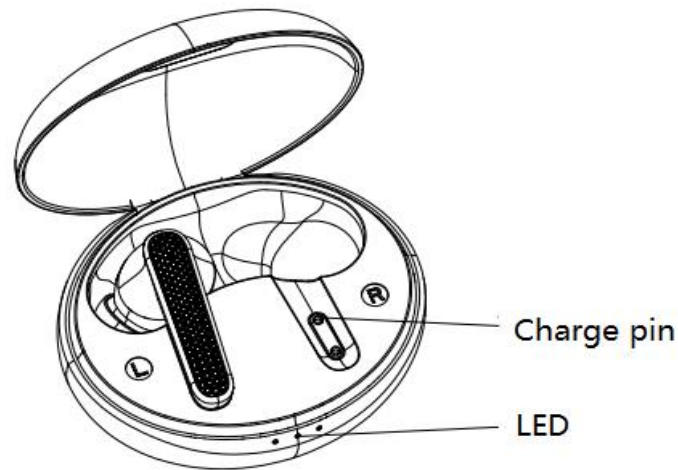


# Instruction manual

Thank you for purchasing our high quality TWS true wireless Bluetooth earphones. Before using this product, please read through this instruction manual, operate correctly, and keep this instruction manual properly for reference. ◦

Product illustration:



Packing list:

1. Bluetooth headset host-----1 pair
2. Charging bay-----1 piece
3. Charging cable-----1 piece
4. Instruction manual-----1 copy

### **Product specification**

Bluetooth version: Bluetooth V5.1

Battery specification: earphone 3.7V 40mAh; Charging bay 3.7V  
300mAh

Support mode: HFP/ HSP/ A2DP/ AVRCP

Communication distance: 10m

Play time: About 6 hours

Talk time: About 4 hours

Standby time: About 60 hours

Charging time: It takes about 2 hours to charge the charging bay,  
and 1.5 hours to charge the headphones in the charging bay

### **Functional operation specification**

Power-on: Take the earphone out of the charging bin and start it  
automatically. Power-on: Take the earphone out of the charging bin  
and start it automatically

Power off: Put the earphone into the charging compartment to  
power off automatically. If the earphone is not paired with the  
mobile phone after powering on, it will power off automatically  
after 5 minutes.

Power-on connection back: When the pair is successfully matched, the Bluetooth headset preferfully enters the connection-back state at the second startup, and automatically connects the connected mobile phone back.

Play/Pause: In standby mode, tap the left/right earphone to play music for a second time, and tap the left/right earphone to pause music for a second time.

Switch songs: When playing music, tap the left earphone three times to switch to the top song, tap the right earphone three times to switch to the next song.

Answer an incoming call: Tap the left/right headset twice to answer an incoming call.

Hang up an incoming call: During a mobile call, you can hang up the call by tapping the left or right headset twice.

Reject an incoming call: When the mobile phone calls, tap the left/right headset three times to reject the call.

Low battery warning: When the Bluetooth headset battery is low, play the low battery warning tone once every one minute until the headset is powered off.

## **Pairing mode**

1. Take out the left and right earphones from the charging

compartment and turn them on automatically, with the red and blue lights flashing alternately, enter the ear-matching search and pairing state, and the ear-matching automatically. After the pairing is successful, the main ear (left ear) will keep the red and blue lights flashing alternately, and the secondary ear will keep the blue lights blinking slowly.

2. Start the Bluetooth function of the mobile phone or other device. If it is an Android phone or device, please click the option of "Search dental monitoring device"; if it is an IOS phone or device, it will automatically search for the device. When the pairing is successful, the earphone will sound an announcement indicating that the connection is successful, and the left and right earphone indicators will turn to blue and blink slowly, entering the standby state of the connection. The right ear is the right channel, and the left ear is the left channel.

3. The two earphones can also be paired with the mobile phone. Perform the operations described in Step 2 above. 3. The two earphones can also be paired with the mobile phone. Perform the operations described in Step 2 above.

### **Charging operation**

1. Plug one end of the USB Type-C charging cable into the USB port

of the charging bay, and plug one end into the charger to charge the charging bay. The LED will display the latest battery.

2. Charge the earphone: Put the earphone into the charging bin to charge it automatically. When charging, the earphone indicator light will be red. The LED light in the charging bay will show the remaining power, and when the headset is fully charged, the LED light in the charging bay will go out.

### **Matters needing attention**

1. Can the earphone be charged in the charging bin?

A: Whether the earphone is put in place, whether the charging thimble in the charging bin has good contact with the charging point of the earphone, and whether the surface of the charging thimble and the charging contact point of the earphone is dirty.

2. Only one earphone sounds after you connect it to your phone?

A: Before making sure that the earphone is paired with the mobile phone, the earphone should be paired with the earphone. Otherwise, a single earphone is connected to the mobile phone.

This device complies with part 15 of the FCC Rules. Operation is subject to the following two conditions: (1) This device may not cause harmful interference, and (2) this device must accept any interference received, including interference that may cause undesired operation.

**FCC warning:**

Any Changes or modifications not expressly approved by the party responsible for compliance could void the user's authority to operate the equipment.

Note: This equipment has been tested and found to comply with the limits for a Class B digital device, pursuant to part 15 of the FCC Rules. These limits are designed to provide reasonable protection against harmful interference in a residential installation. This equipment generates uses and can radiate radio frequency energy and, if not installed and used in accordance with the instructions, may cause harmful interference to radio communications. However, there is no guarantee that interference will not occur in a particular installation. If this equipment does cause harmful interference to radio or television reception, which can be determined by turning the equipment off and on, the user is encouraged to try to correct the interference by one or more of the following measures:

- Reorient or relocate the receiving antenna.
- Increase the separation between the equipment and receiver.
- Connect the equipment into an outlet on a circuit different from that to which the receiver is connected.
- Consult the dealer or an experienced radio/TV technician for help.

The device has been evaluated to meet general RF exposure requirement. The device can be used in portable exposure condition without restriction.