

材质：105g 铜版纸

尺寸：90*120mm

印刷：单黑双面印刷

装订方式：折页

FLOOR LAMP

User Manual Sky LED Torchiere Floor Lamp

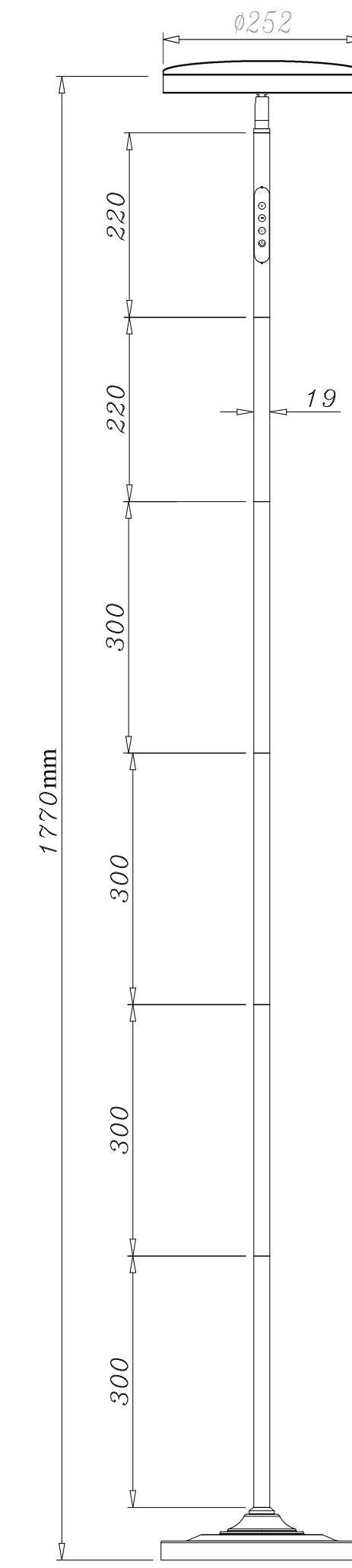
Introduction

Thank you for choosing our Sky LED Torchiere Floor Lamp. Please read this user manual carefully and keep it for future reference. If you need any assistance, please contact us by email with your order number and details.

Package Contents

- 1x LED Floor Lamp
- 1x Lamp Base
- 1x User Manual
- 2x AAA Batteries
- 6 x Iron Pipes
- 1x Remote Controller
- 1x Power Adapter with Cable

Product Structure



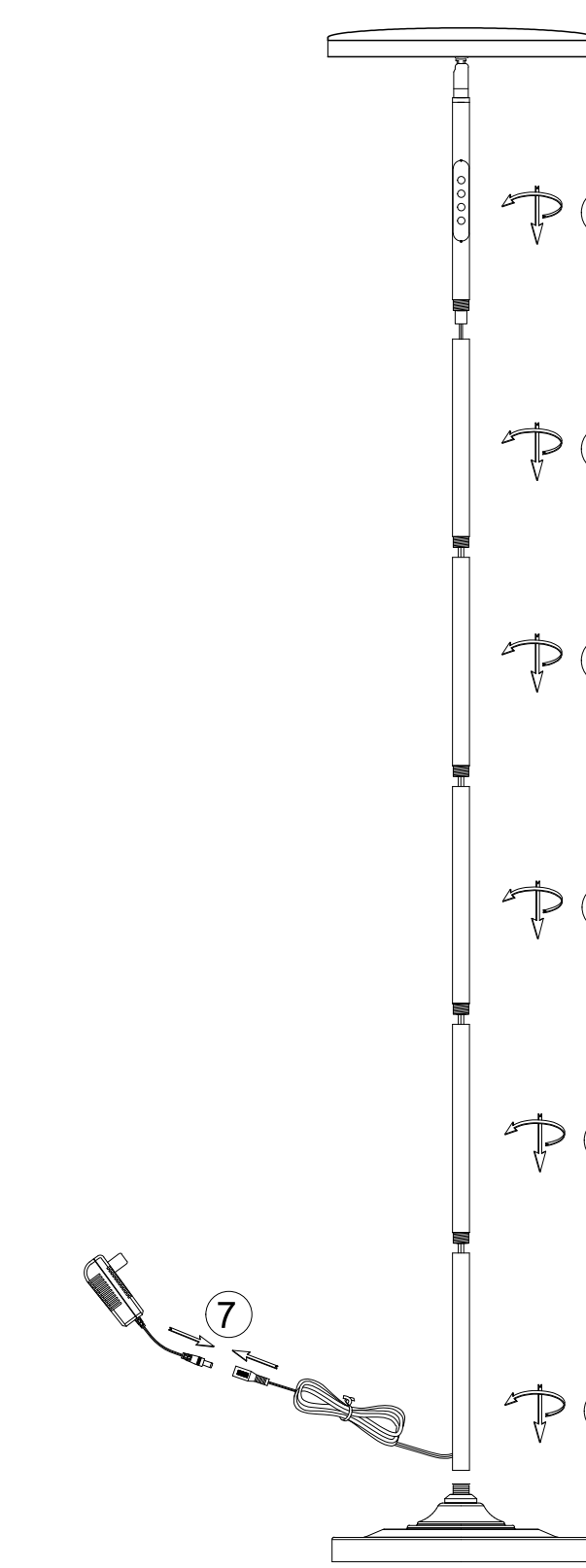
Specification

Model	MF30002
Material	Metal + PC
Light Source	36W LED
Power Consumption	36W
Luminous Flux	3600 lumen
Dimmable	Yes (5%-100% full dimming)
Color Temperature	3000K-4000K-5000K-6500K(4LevelsAdjustable)
Lifespan	40,000Hrs
Battery for Remote Controller	AAA x 2
Remote Distance	Within 8m/26.2ft
Input Voltage	AC100-240V 50/60 Hz
Adapter Voltage	DC24V 1.5A
Product Size	10"(D) x 70"(H)

Installation

It's very easy to install, as shown below:

- Step1:** Connect the iron pipe with the light base by spinning clockwise.
- Step2:** Then connect the iron pipe with the other iron pipes by spinning clockwise.
- Step3:** At last, connect the iron pipe with the LED round light by spinning clockwise.
- The installation is finished, then plug in adapter, you can button control or remote control the light.

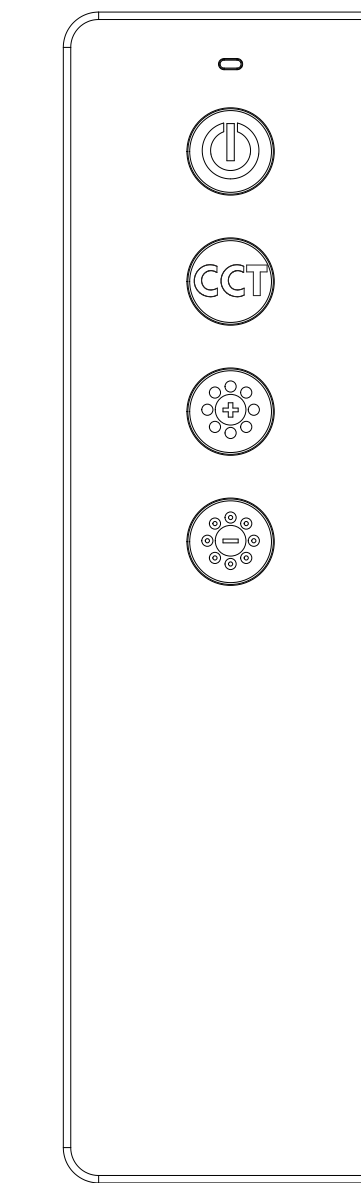


Make sure the remote control is matching the lamp : power plug in the lamp , use the remote to control the lamp. Normally the remote controls the lamp perfectly ;

If remote control doesn't work for the lamp, please re-match the Remote and Lamp.

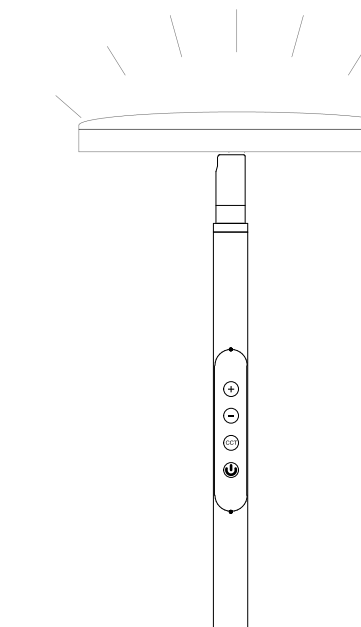
Matching procedure :

1. Unplug the floor lamp.
2. Press and hold the power button on the remote control,



3. Plug in the floor lamp and wait for the light to turn on.Keep on pressing the power button during this procedure.

4. Release the power button if LED lights flashes, matching successfully. Please contact us via mail if it still doesn't work.

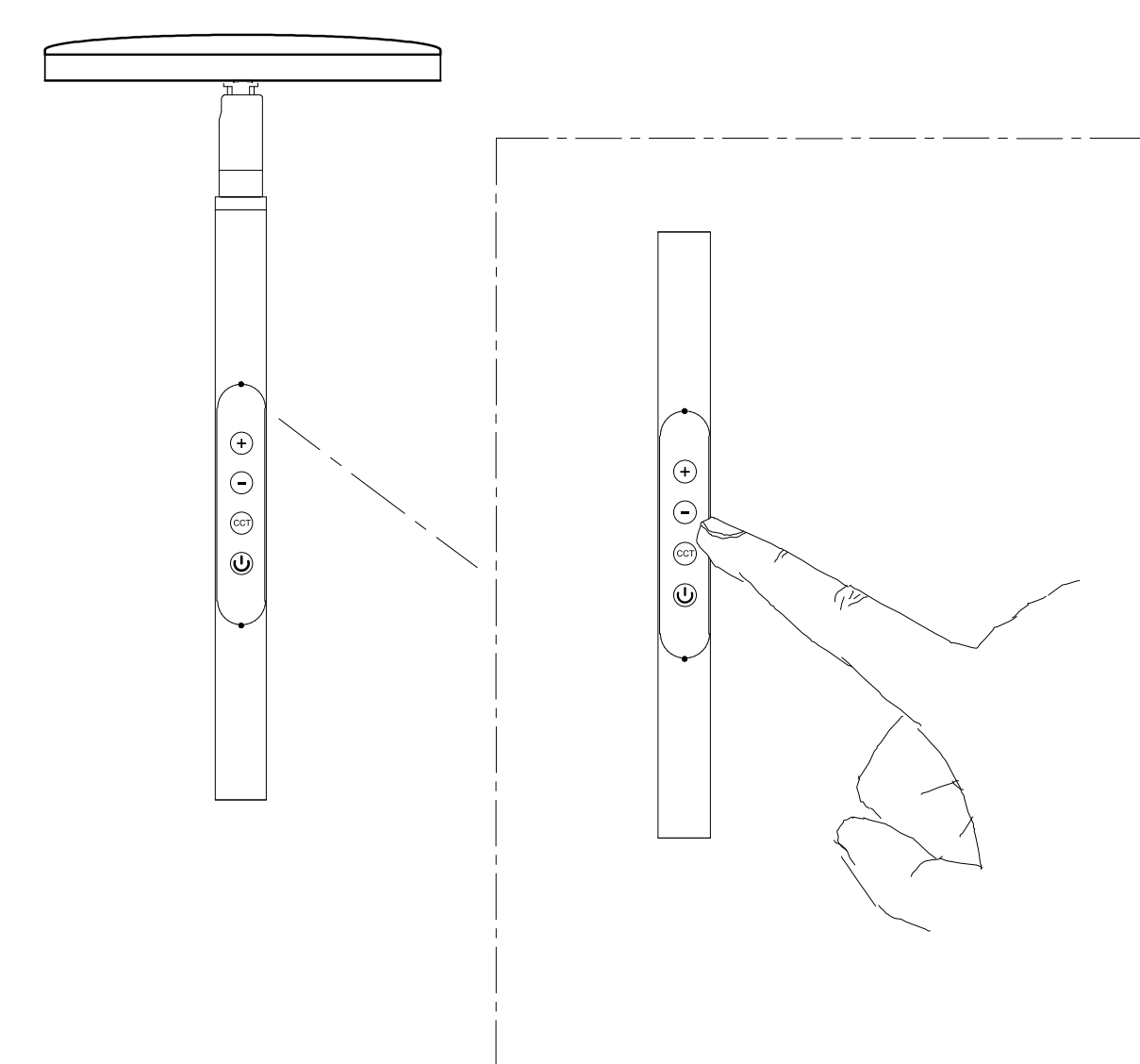


Usage

There are two ways to control: Button control or Remote control.

Button control

Please touch the top button to control the lamp



Bright+
Short\long press the buttons to stepped higher the brightness as you like.

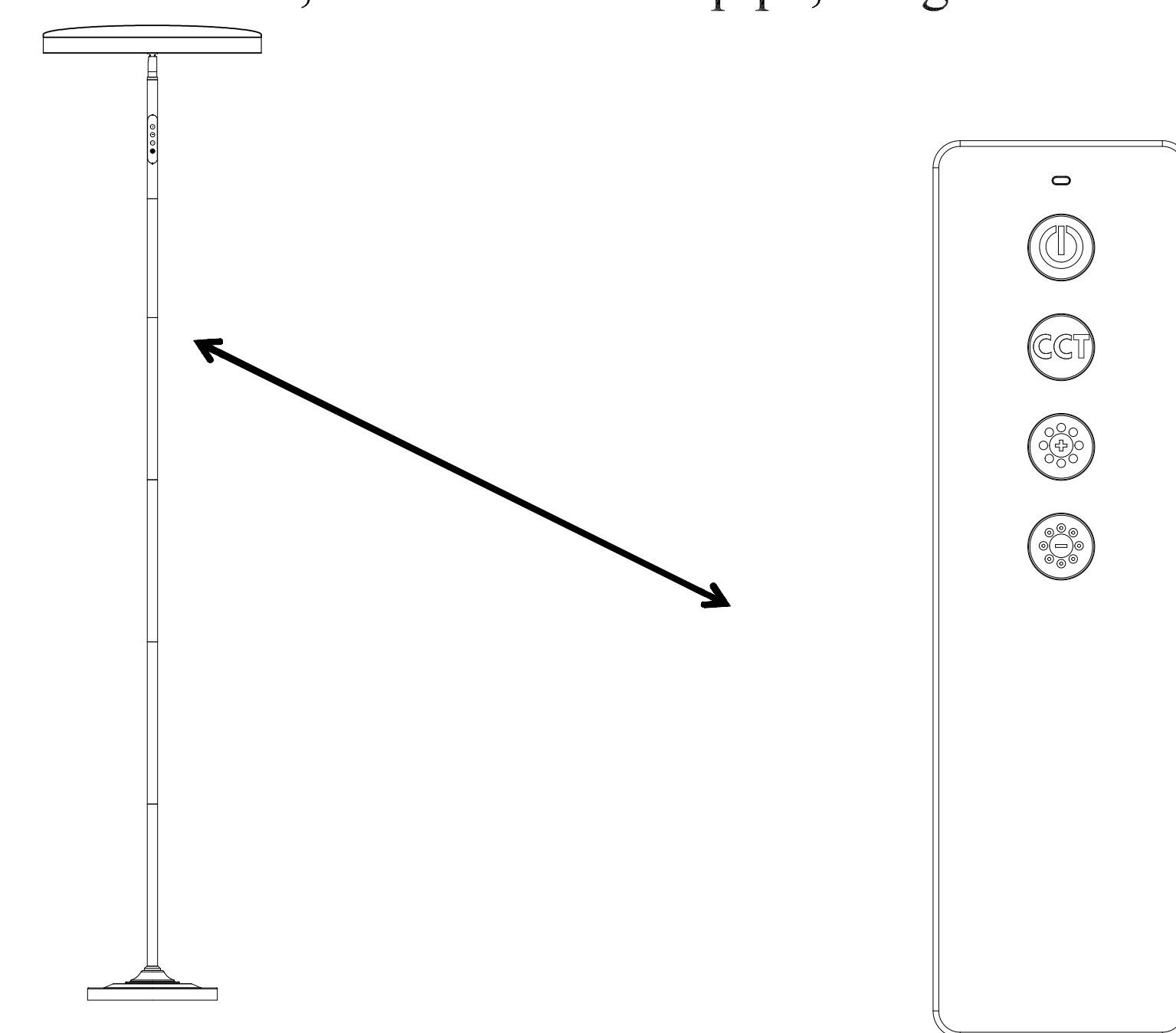
Bright-
Short\long press the buttons to stepped lower the brightness as you like.

Color Temperature+/-:
Long Press or short press to achieve color temperature adjustment,short press 3000K-4000K-5000K-6000K,long press endless adjustment.

ON/OFF Button :
Short press to turn on/off
Long press the button,the bulb will flash to indicate that the one-hour timer has been successfully set. You can set the timer under any combination of color temperature and brightness. Once you changed the color temperature and brightness under 1H set model, it will be lifted and you need to set it again.

Remote Control

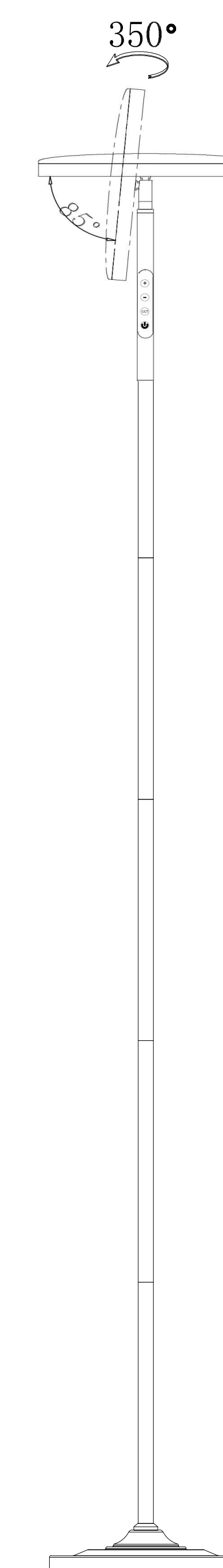
The remote distance is within 26.2ft. It is magnetic so that you can put it on whatever contain iron, such as the iron pipe, fridge and so on.



- ON/OFF Button :**
Short press to turn on/off
Long press the button,the bulb will flash to indicate that the one-hour timer has been successfully set. You can set the timer under any combination of color temperature and brightness. Once you changed the color temperature and brightness under 1H set model, it will be lifted and you need to set it again
- Color Temperature+/-:**
Long Press or short press to achieve color temperature adjustment,short press 3000K-4000K-5000K-6000K,long press endless adjustment.
- Bright+**
Short\long press the buttons to stepped enhance the brightness as you like.
- Bright-**
Short\long press the buttons to stepped lower the brightness as you like.

How to adjust the lighting angle?

85 Degree Adjustable at the vertical direction. 350 Degree Adjustable at horizontal direction. Just as the following image shown



Product Care

- Please do not bend violently the lamp head to avoid damage when adjusting the angle of the lamp.
- Please read the user manual before use
- Suggest Indoor use. It is non waterproof. Do not use this product in humid environments or at high temperatures
- Cut off the power when cleaning it or not using it
- Do not use it exceed the voltage, the proper voltage for US is AC100- 240V, 50/60Hz.
- Please use the included power adapter, do not use other brand's adapter. Do not plug or unplug the power cord with wet hands
- Please stop use it if there is any defective issues found in the product

Guarantee

Remote Control Floor Uplight lamp is backed by **12 MONTHS** product warranty. For questions, assistance, or support, please contact the Customer Service by e-mail with your order number and product model number.

We will send you further information about the return or the exchange.

FCC Warning:

This equipment has been tested and found to comply with the limits for a Class B digital device, pursuant to part 15 of the FCC Rules. These limits are designed to provide reasonable protection against harmful interference in a residential installation. This equipment generates, uses and can radiate radio frequency energy and, if not installed and used in accordance with the instructions, may cause harmful interference to radio communications. However, there is no guarantee that interference will not occur in a particular installation. If this equipment does cause harmful interference to radio or television reception, which can be determined by turning the equipment off and on, the user is encouraged to try to correct the interference by one or more of the following measures:

- Reorient or relocate the receiving antenna.
- Increase the separation between the equipment and receiver.
- Connect the equipment into an outlet on a circuit different from that to which the receiver is connected.
- Consult the dealer or an experienced radio/TV technician for help.

Caution: Any changes or modifications to this device not explicitly approved by manufacturer could void your authority to operate this equipment.

This device complies with part 15 of the FCC Rules. Operation is subject to the following two conditions:

(1) This device may not cause harmful interference, and (2) this device must accept any interference received, including interference that may cause undesired operation.

This equipment complies with FCC radiation exposure limits set forth for an uncontrolled environment. This equipment should be installed and operated with minimum distance 0cm between the radiator and your body.