



深圳市天逸源电子科技有限公司
Shenzhen Tianyiyuan Elec&Technology CO.,Ltd

Address: 6th Floor, Building A, Xinlongxin Industrial Park, No.50 Fengtang Avenue, Fuhai Street, Bao'an District, Shenzhen

Recognition book

SPECIFICATION FOR APPROVAL

Name: WIFI/BT 2.4G Antenna (NTS-700)

Item No: TYT-TX2010-1

Custoer name: Optoelectronics Technology Co., Ltd

Company stamp: _____

drawing			Customer approve
MADE	CHECKED	APPROVED	
QIU	jack	Miketang	
DATE: 2023.07.27			DATE

1、Specifications

The report provides a test of the electrical performance parameters of the **TYY-TX2010-1** Technical parameters of antenna electrical appliances antenna, which is a science and technology model. **TYY-TX2010-1** WIFI Built in antenna, WIFI Antenna is made by copper pipe+RF Line composition。(As follows 1 Shown)

Electrical technical parameters			
电性能指标		Electrical Specifications	
频率范围	2400~2500MHZ	Frequency Range	2400~2500MHZ
电压驻波比	≤2.0	VSWR	≤2.0
增益	3.01 DBI MAX	GAIN	3.01 DBI MAX
输入阻抗	50 Ω	Input Impedance	50 Ω
机械指标		Mechanical Specifications	
天线颜色	黑色	Antenna Color	BLACK
接口形式	IPEX-1	Input connector	IPEX-1
线长度	80mm	Cable length	80mm
工作温度	-40°C~+85°C	Working Temperature	-40°C~+85°C
工作湿度	20~80%	Working Humidity	20~80%

Chart 1 TYY-TX2010-1 Product size

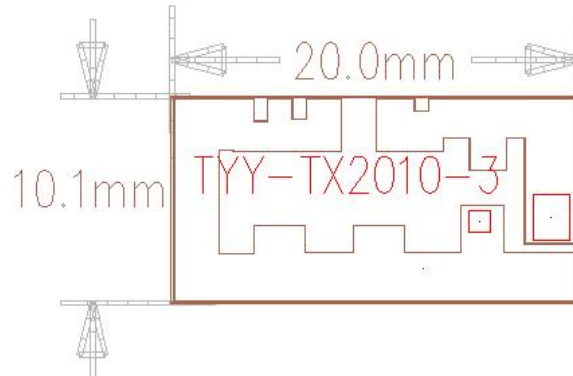
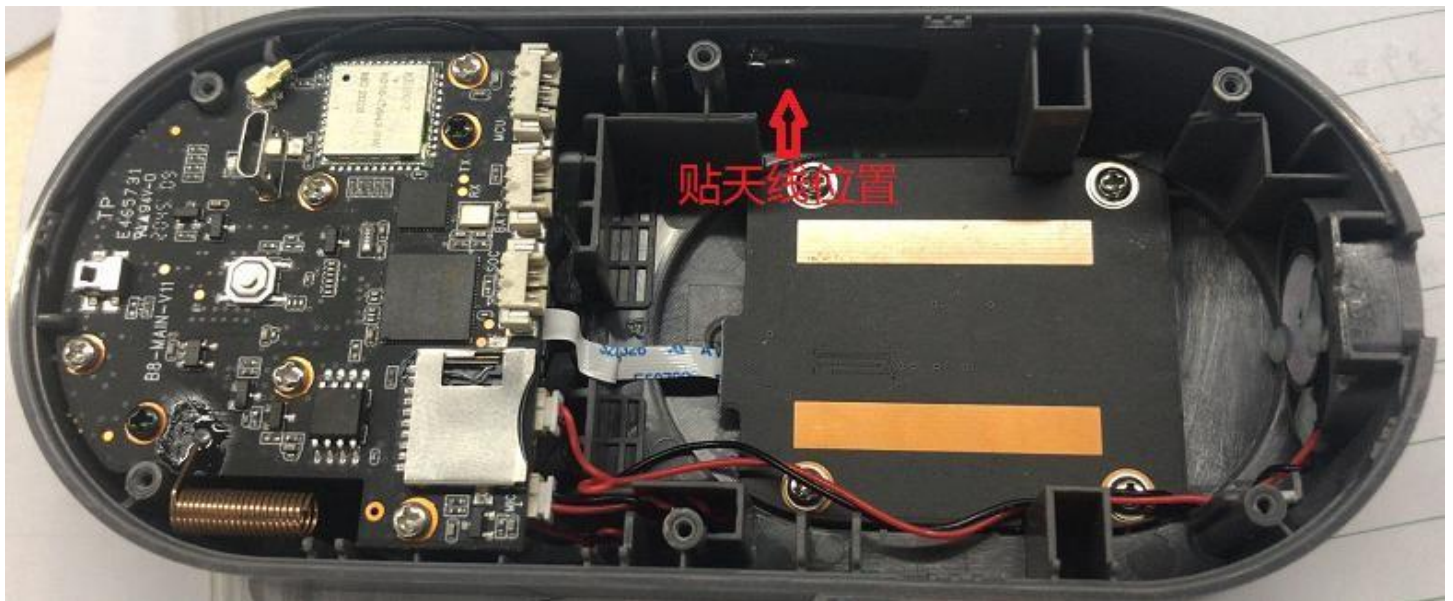


Chart 2 TYY-TX2010-1 Antenna finished



Line length 80+/-2mm, The other end with the 1-IPEX.

Chart 3 Location of antenna patch



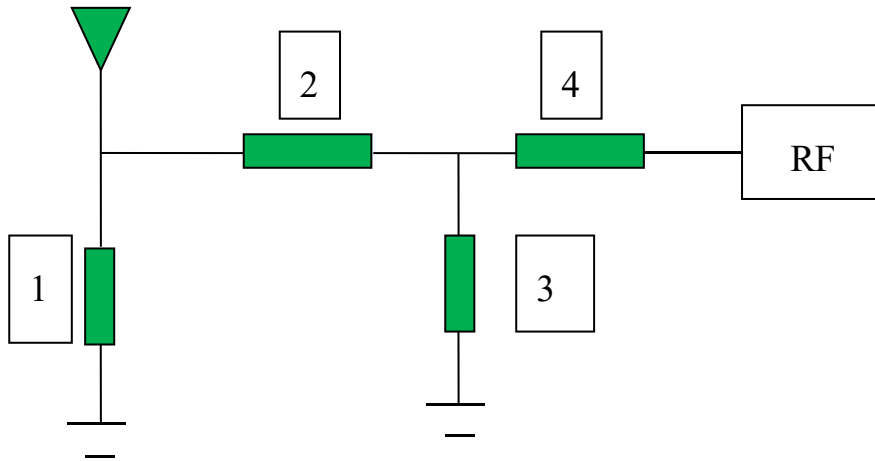
Matters needing attention: WIFI antenna behind the tear tape on the back glue stick flat side, away from the screen on the back of the metal, away from the loudspeaker hardware, if the antenna near the metal lead to WIFI signal frequency deviation, make the antenna standing wave ratio and power and efficiency will become poor, and

the signal will become worse, the frequency shift signal variation can also cause interference, so must be in accordance with our marking the location of the antenna, thank you!

2. Electrical properties

2.1 WIFI Antenna matching circuit

This item matching circuit is provided by the customer.



Element number	1	2	3	4
WIFI optimum	NC	0 ohm	NC	
Original (spare)	50 ohm matching (inductance capacitance / sunlord Darfon)			

Chart 4 OTA Microwave dark room



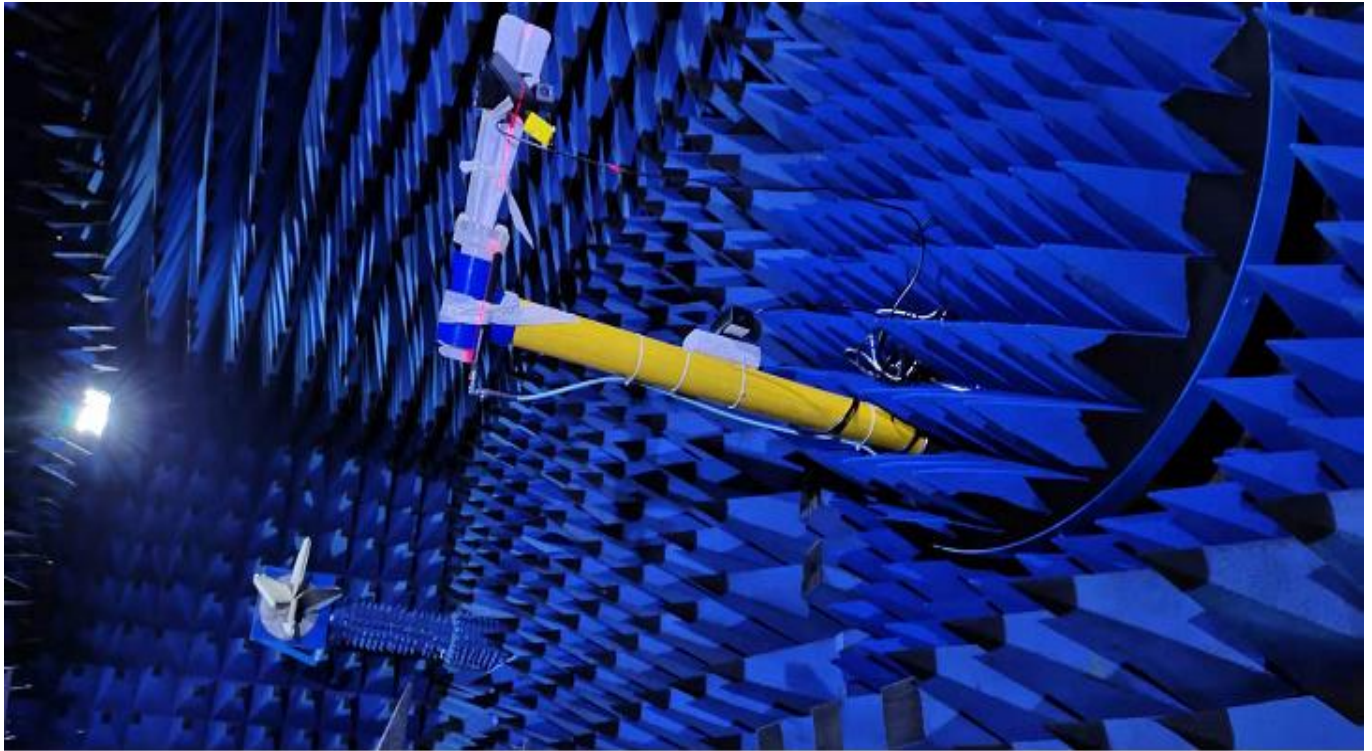
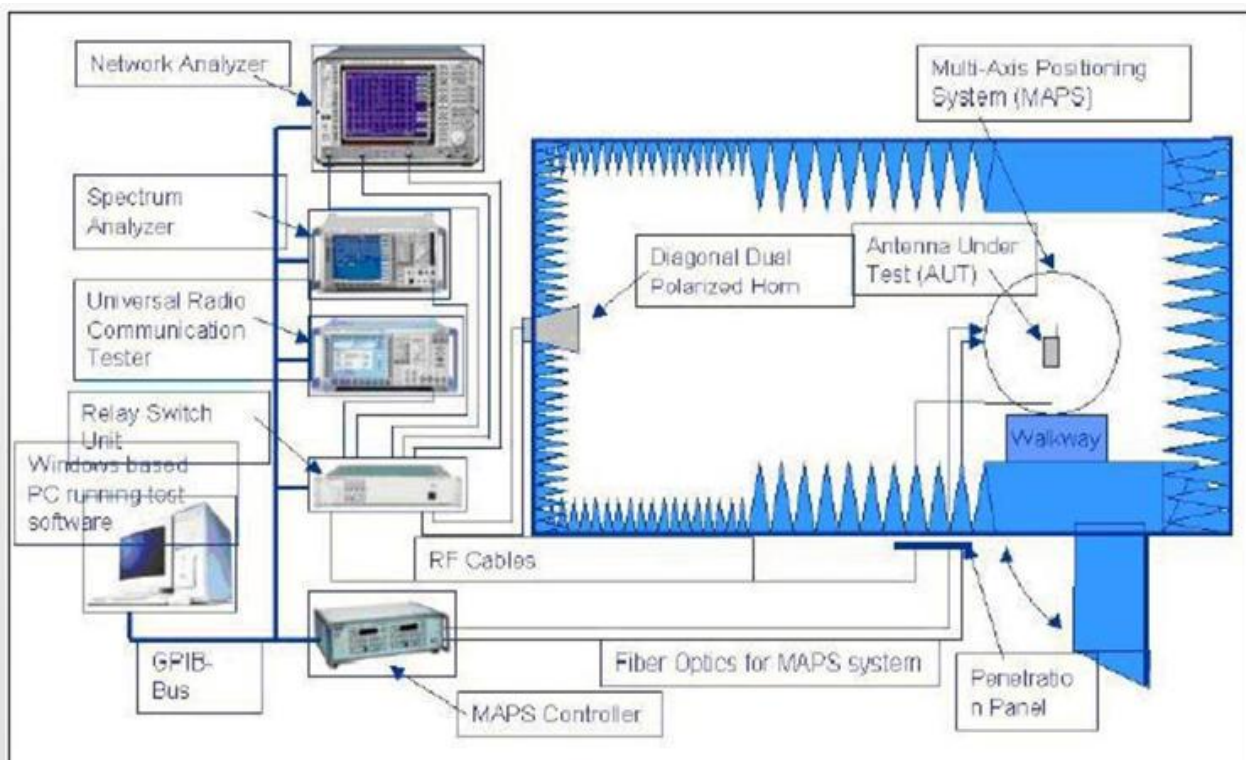


Chart 5 Test environment: OTA743 darkroom, W500/8960/8753ES /5071C, the machine is placed with its back to the turntable 4 meters away from the standard horn



2.3 Bobbi (VSWR) test

2.3.1. Test setup

Connect the VSWR test device are: Agilent E5071C network analyzer from 50 ohm coaxial Cable 120mm long

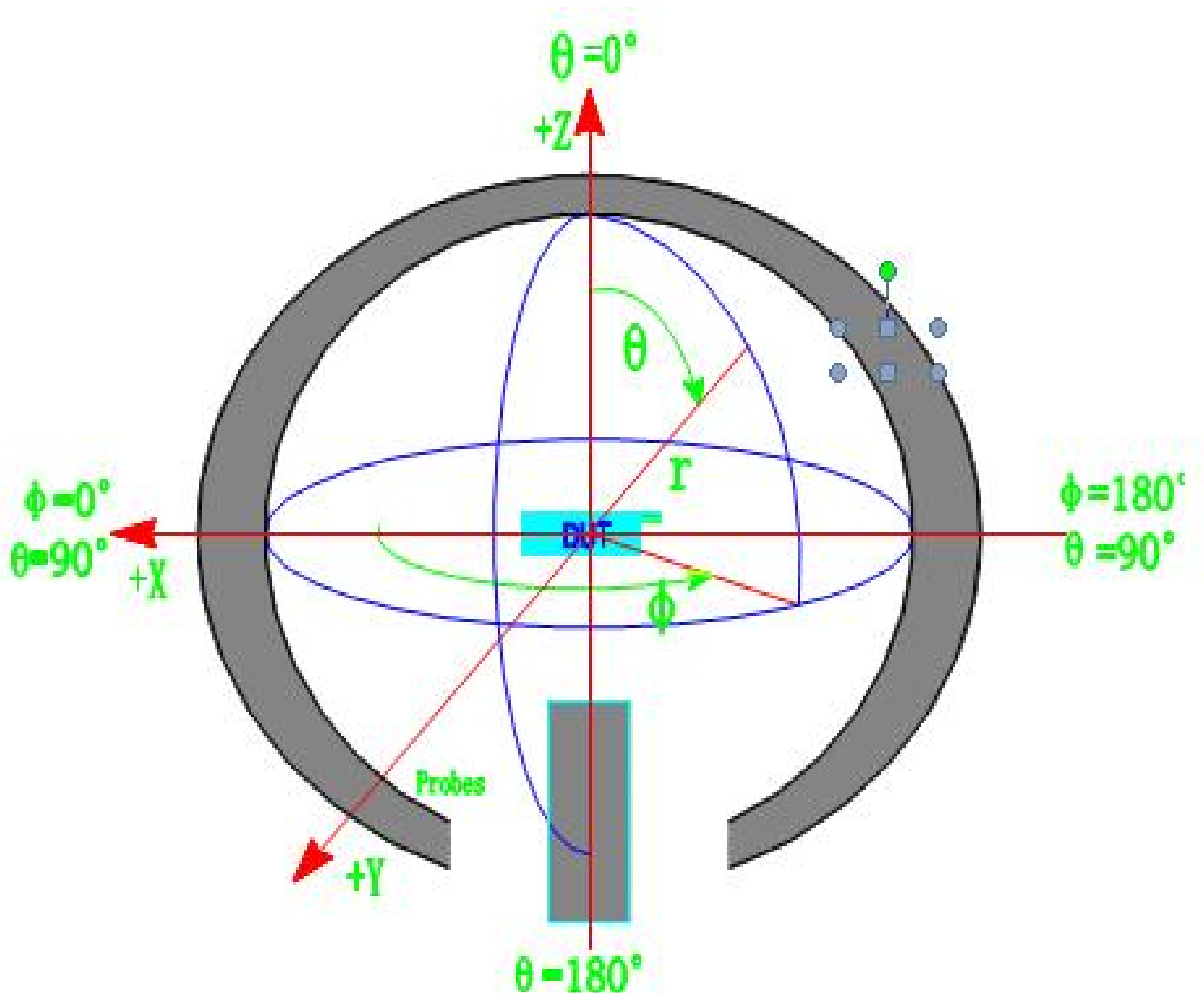
Brass & test fixture

Processing test fixture: 50 ohm antenna leads to SMA-J connector from the test point on the plate PCB with a rigid cable, and a

Connect the choke tube, and then sequentially connected with other devices.

WIFI In Bobbi

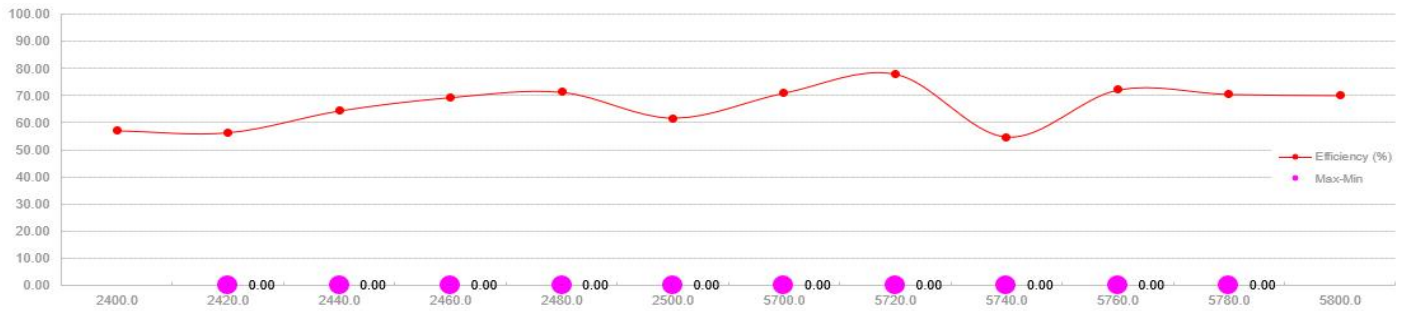
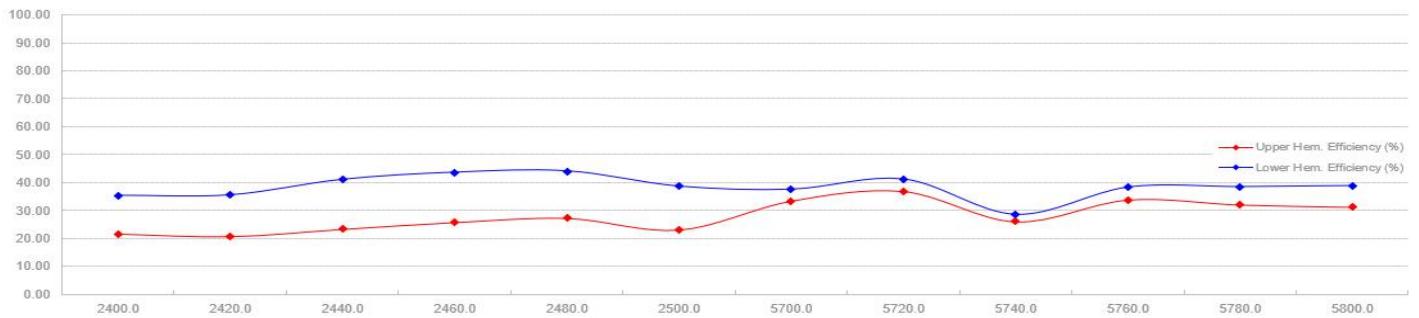
Chart 6 Return loss



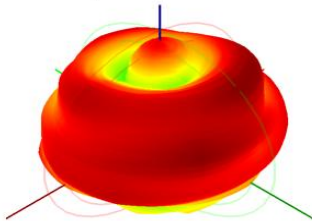
frequency (MHz)	2400	2450	5150	5800	
VSWR	1.3	1.3			

4.2 Elevation map coverage

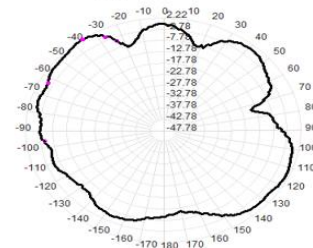
Frequency ID	1	2	3	4	5	6	7	8	9	10	11
Frequency (MHz)	2400.0	2410.0	2420.0	2430.0	2440.0	2450.0	2460.0	2470.0	2480.0	2490.0	2500.0
Efficiency (dBi)	-1.72	-1.68	-1.52	-1.25	-1.06	-0.83	-0.61	-0.47	-0.64	-0.87	-1.04
Gain (dBi)	2.04	2.10	2.26	2.72	2.68	2.94	3.01	2.88	2.20	1.68	1.56
Efficiency (%)	67.32	67.94	70.50	75.01	78.27	82.59	86.95	89.83	86.21	81.78	78.67
Directivity (dB)	3.76	3.78	3.78	3.97	3.75	3.77	3.62	3.34	2.85	2.55	2.60
Peak Gain Position (Theta)	83.00	82.00	83.00	85.00	88.00	92.00	88.00	93.00	97.00	73.00	75.00
Peak Gain Position (Phi)	30.00	30.00	30.00	360.00	360.00	360.00	360.00	360.00	360.00	360.00	360.00
Efficiency ThetaPol (%)	65.57	66.34	69.10	73.67	76.99	81.33	85.58	88.35	84.69	80.22	77.04
Efficiency PhiPol (%)	1.75	1.60	1.40	1.35	1.28	1.26	1.37	1.49	1.51	1.57	1.63
Upper Hem. Efficiency (%)	41.71	41.72	42.46	44.27	45.34	47.06	48.83	50.02	47.88	45.34	43.58
Lower Hem. Efficiency (%)	25.61	26.22	28.05	30.74	32.93	35.53	38.13	39.81	38.33	36.45	35.08



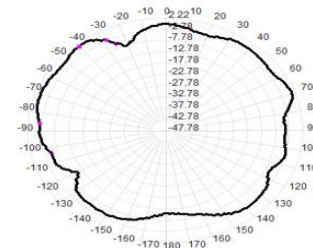
2400.0MHz H+V, Eff: 57.0%



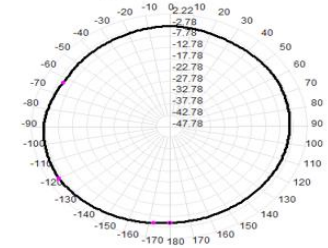
2400.0MHz Total(E1), Max= 2.22dBi

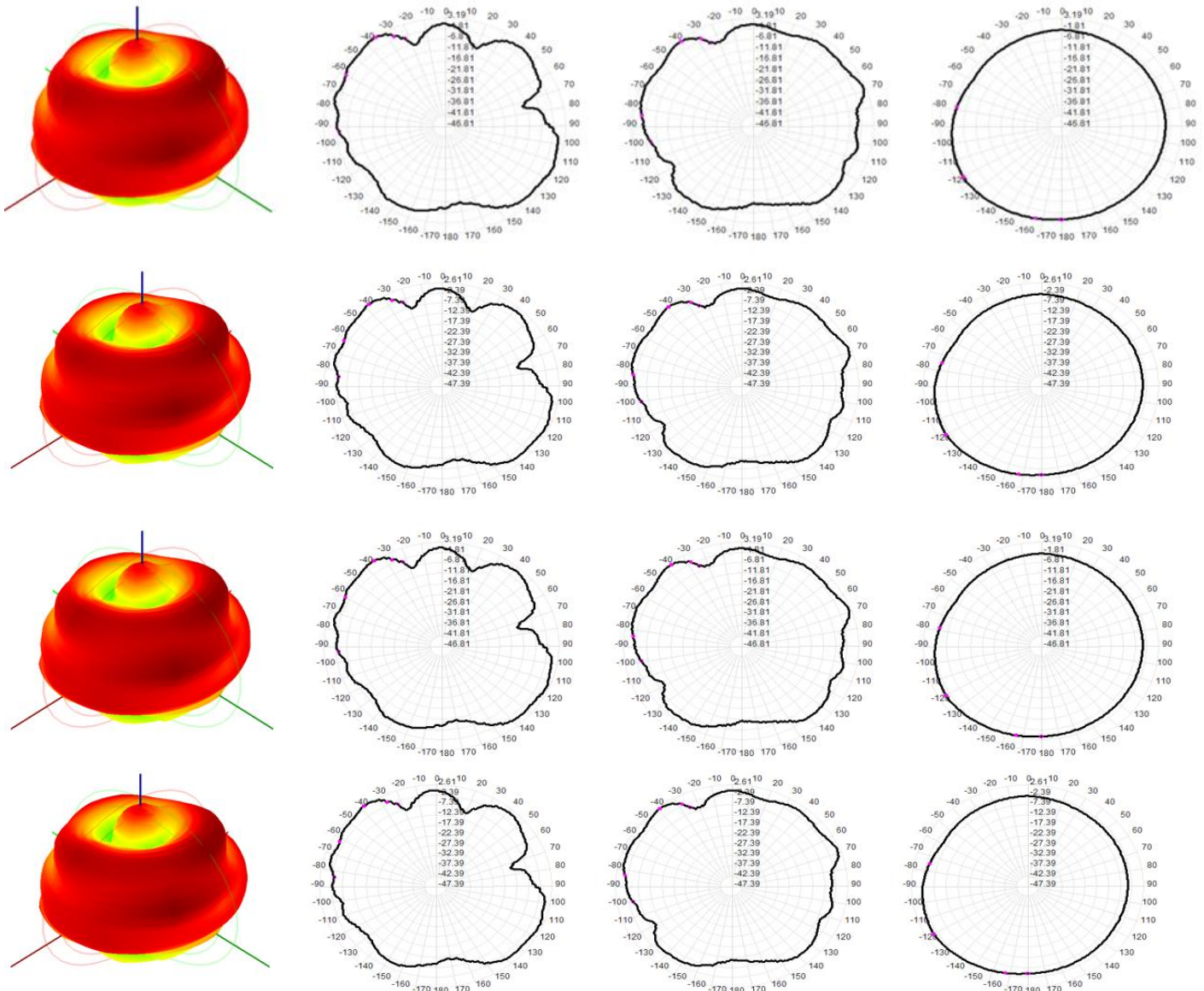


2400.0MHz Total(E2), Max= 1.02dBi



2400.0MHz Total(H), Max= -1.62dBi





3, recommendations and conclusions

This report is based on the antenna electrical performance measured by the customer based on the final version of the model project of Hangzhou Rongmeng Intelligent Technology Co., LTD.

As can be seen from the above test data, the antenna provides good electrical performance. Tianyiyuan is looking forward to your confirmation. Thank you for your cooperation!