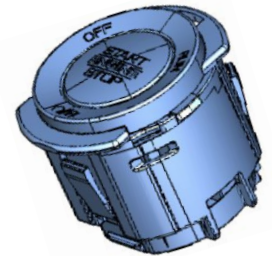




SMART TECHNOLOGY  
FOR SMARTER CARS

# Label artwork

**Product: KIN** (WL/WS)  
**Model: KNW1**



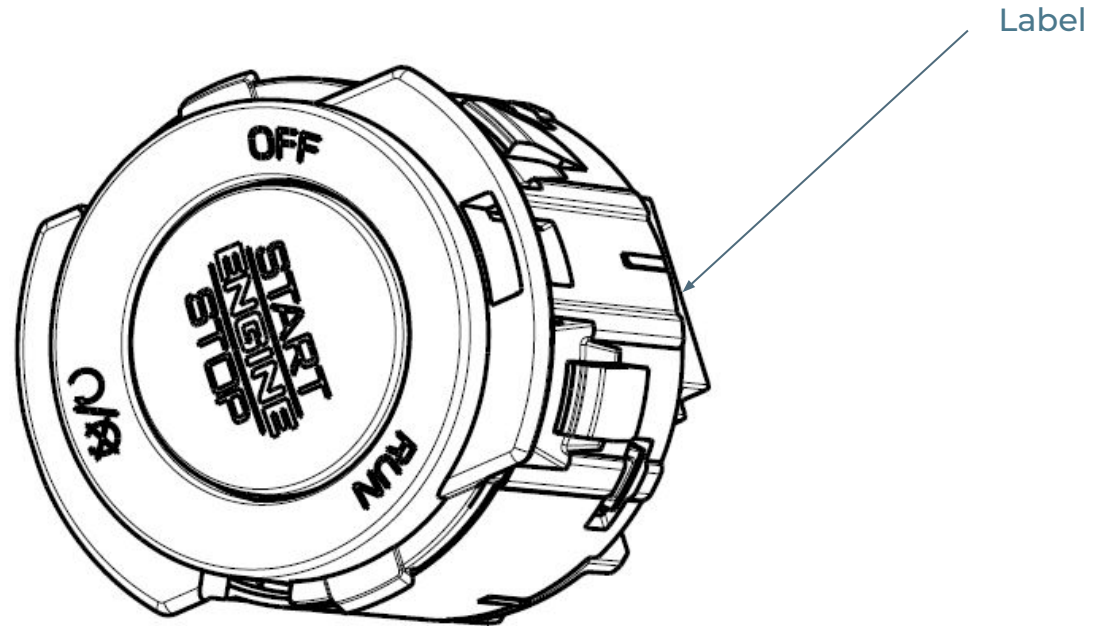
---

Status: **Submitted**  
Doc. No.: KNW1\_4384\_1  
Revision: 1.0  
Date: 23.03.2023



SMART TECHNOLOGY  
FOR SMARTER CARS

## Label location



## Label layout

