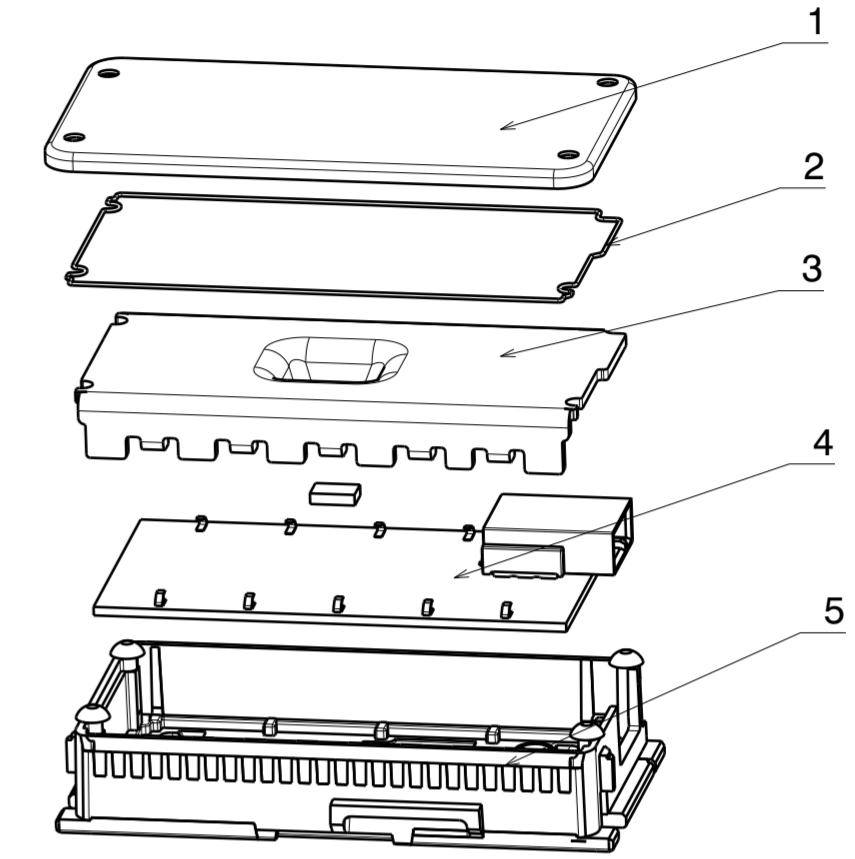
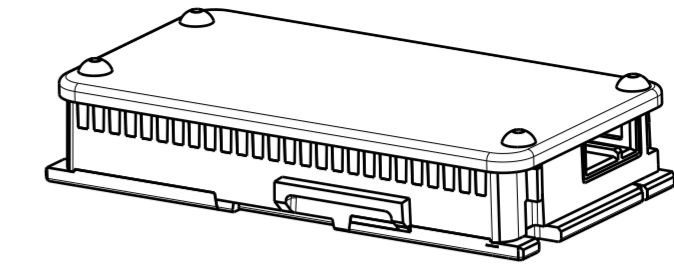


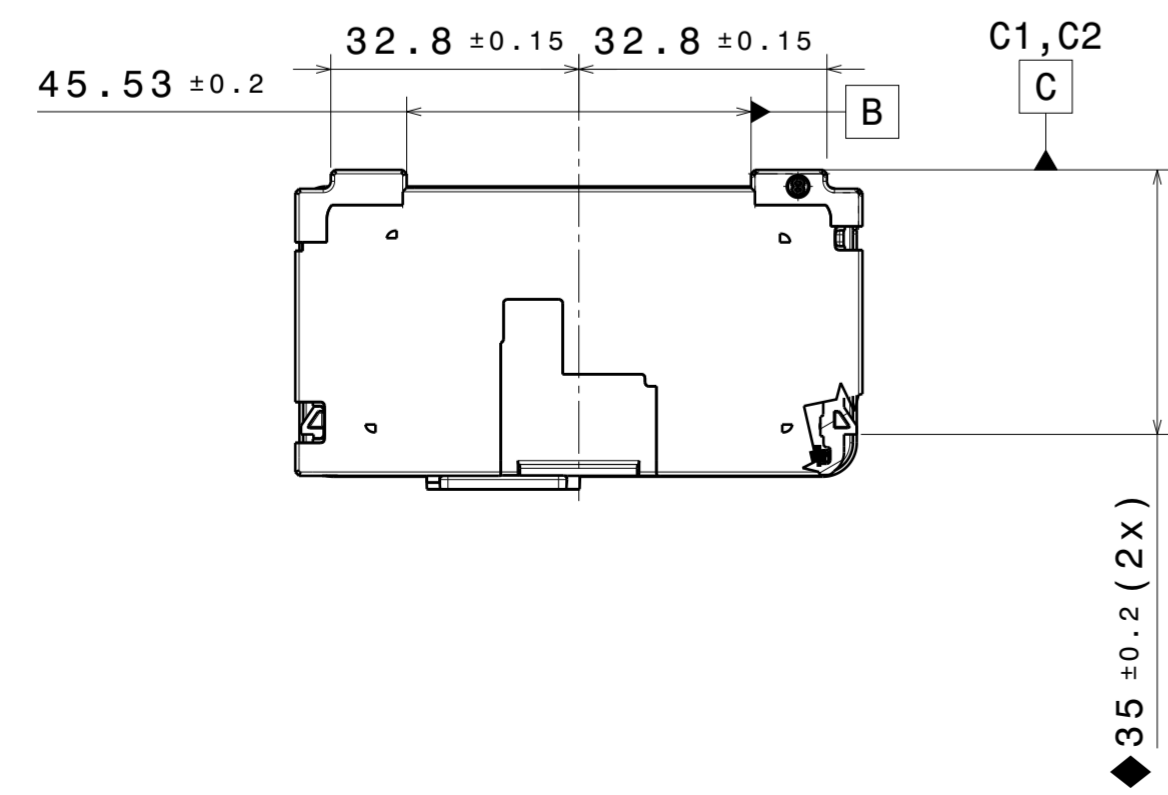
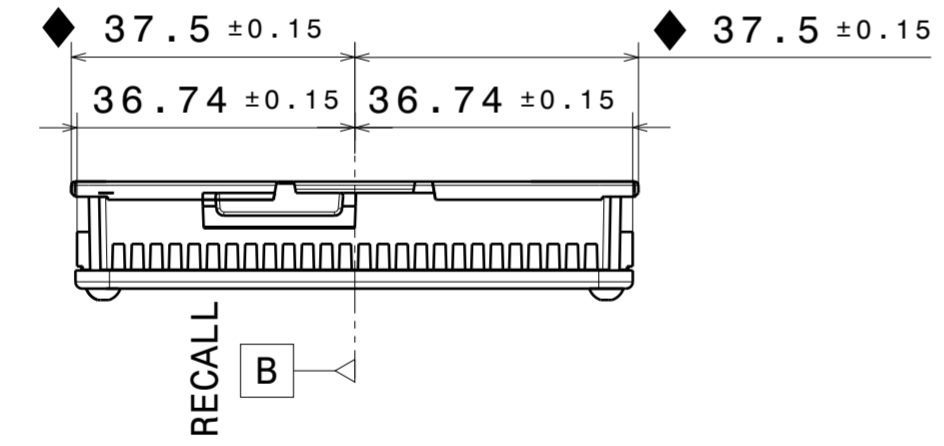
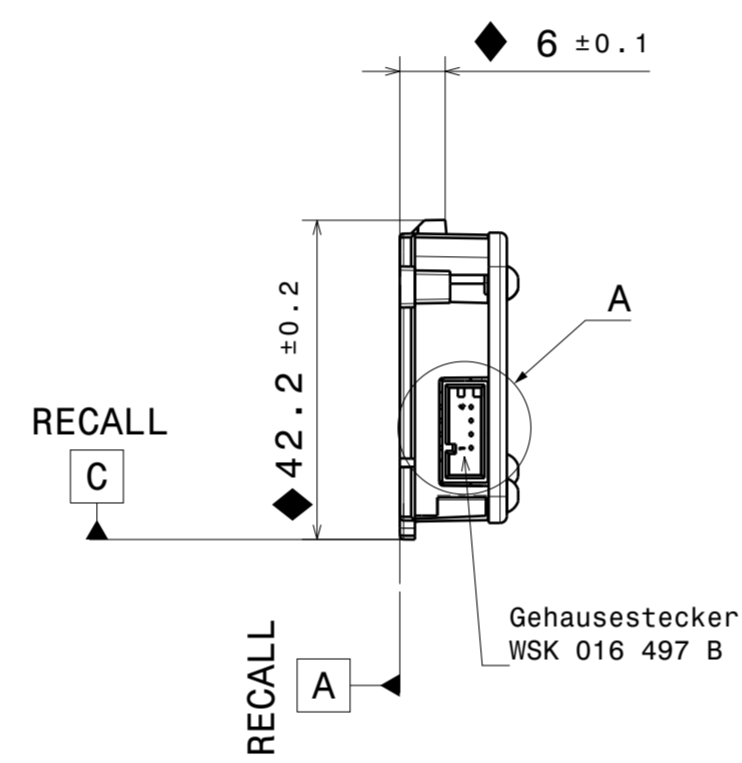
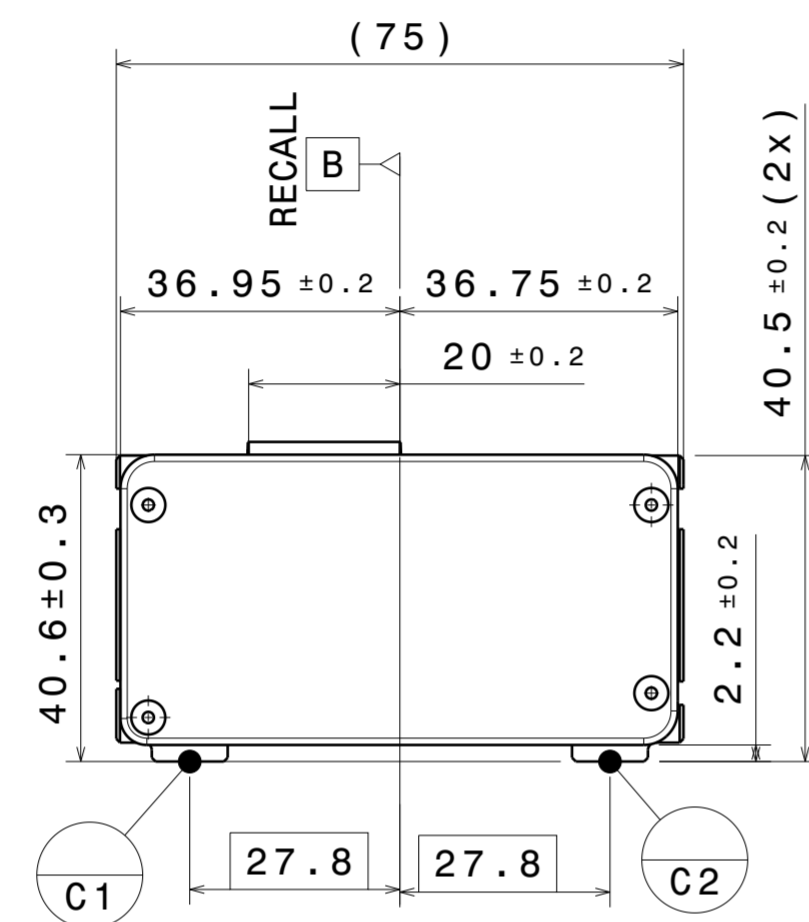
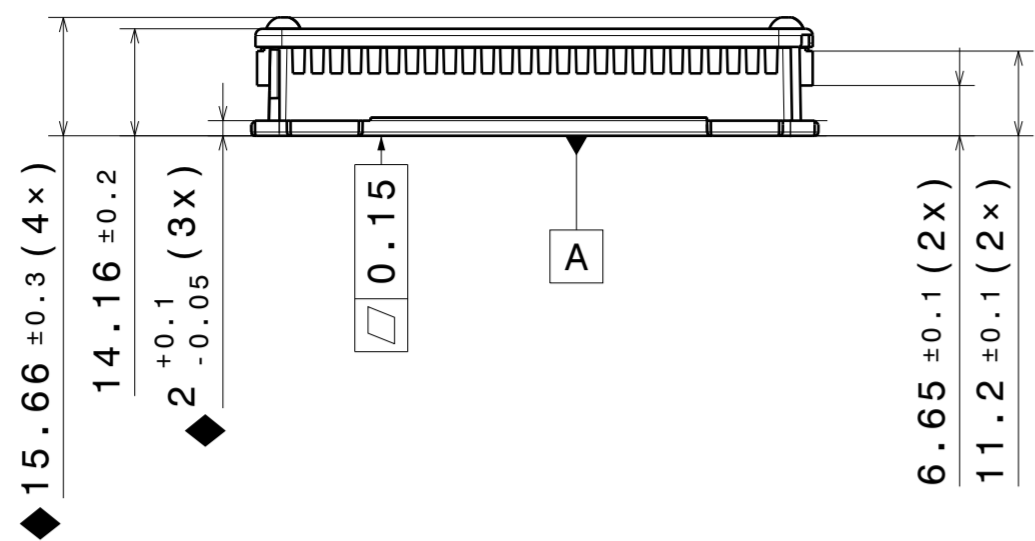
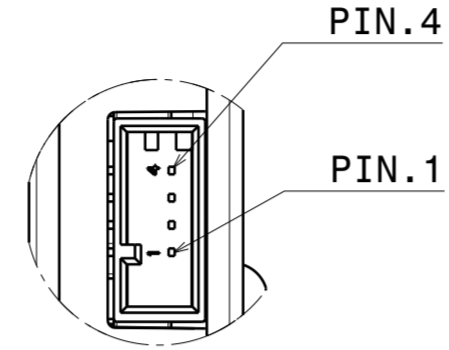
H G F E D C B A

Isometric view  
Scale: 1:1



| PINNING |          | DESCRIPTION |
|---------|----------|-------------|
| 1       | GND      | GROUND      |
| 2       | CAN_HS_H | CAN_HIGH    |
| 3       | CAN_HS_L | CAN_LOW     |
| 4       | V_BAT    | POWER       |

Detail A  
Scale: 2:1



| Item | Part Name        | PLM ref | Quantity | Weight (g)                  |
|------|------------------|---------|----------|-----------------------------|
| 1    | Additional cover | E844340 | 1        | 4                           |
| 2    | Liquid Sealing   | E589109 | 1        | 1                           |
| 3    | Cover Assy       | E764310 | 1        | 12                          |
| 4    | PCB              | EB17663 | 1        | 10                          |
| 5    | 2K Housing       | E869463 | 1        | 15                          |
|      |                  |         |          | <b>Total Weight: 42g±5%</b> |

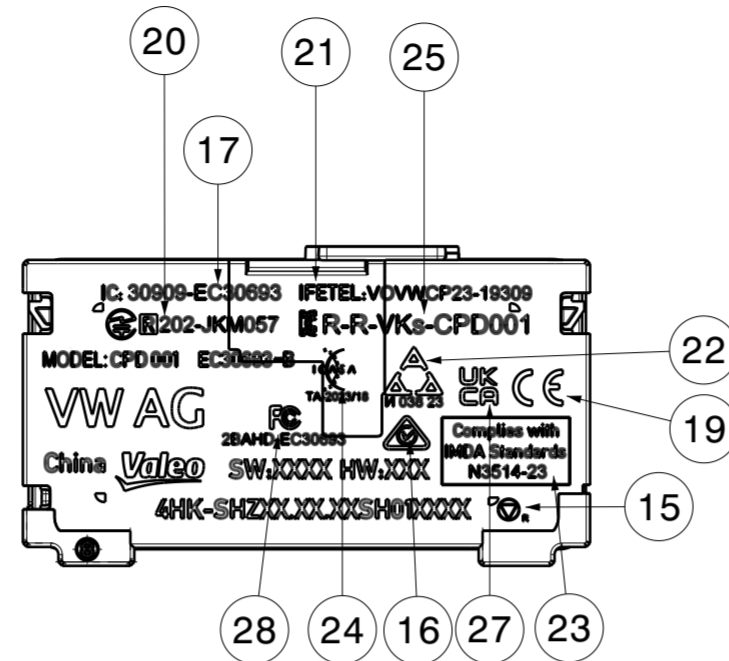
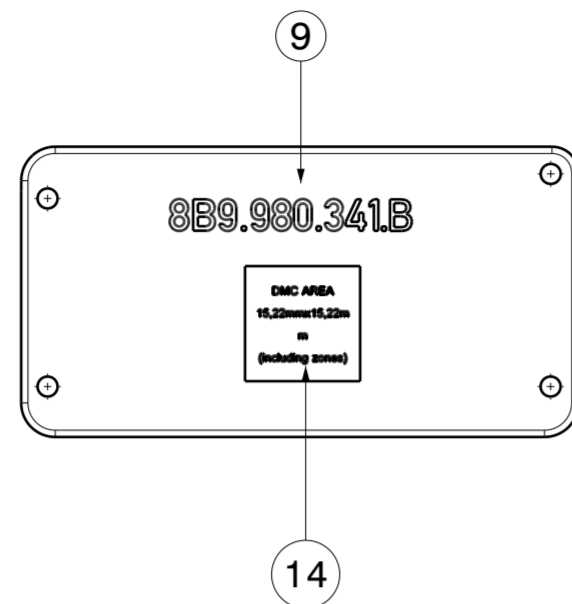
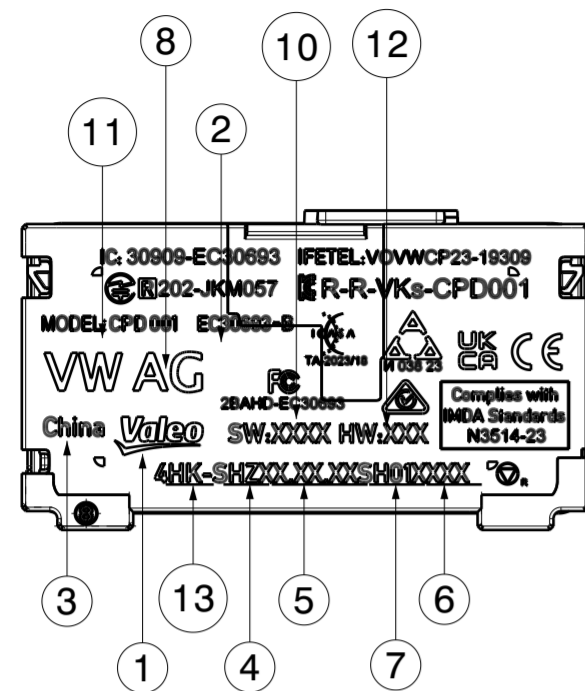
| REV  | ECO NUMBER       | RESPONSIBLE  | DATE       | DESCRIPTION OF CHANGE  |
|------|------------------|--------------|------------|--|
| B    |                  | zoral-hao.lu | 2023-08-01 | change dimension 2±0.05 to 2±0.1/-0.05; modify laser marking |
| A.02 | ECO_100914351_01 | zoral-hao.lu | 2023-02-27 | AUDI CPD: update laser marking content                       |
| A.01 | ECR_100906904_01 | zoral-hao.lu | 2023-02-03 | AUDI CPD: update laser marking content                       |
| A    | ECR_100892213_01 | zoral-hao.lu | 2023-01-05 | Initial release (PV-sample)                                  |

|                               |           |
|-------------------------------|-----------|
| SEMI FINISHED/ STOCK MATERIAL |           |
| MATERIAL COLOR                |           |
| PROJECT                       | 1ST192005 |
| CUSTOMER                      | AUDI      |
| CUST. PRT. NO.                |           |
| CUST. DRW. NO.                |           |
| CUST. MOD. NO.                |           |
| CUST. MOD. DATE               |           |

|                                |  |                          |
|--------------------------------|--|--------------------------|
| GENERAL TOLERANCE              |  |                          |
| MATERIAL                       |  | APPROVED BY              |
| TREATMENT COATING              |  | APPROVED DATE            |
| TITLE & DESCRIPTION Radar      |  | ESTIMATED MASS           |
| CDA Radar - Audi CPD PV-sample |  | CREATED BY zoral-hao.lu  |
|                                |  | CREATION DATE 2023-01-04 |

|  |                 |              |                   |
|--|-----------------|--------------|-------------------|
|  | DRAWING NUMBER  | DRAWING REV. |                   |
|  | DRW_EC30693_001 | A.02         |                   |
| INTERIOR CONTROLS CHINA North Junyi Ind. Park, Huaide Vil. Fuyong Town, Baoan Dist., 518128 SHENZHEN | PART NUMBER     | EC30693      | SCALE 1:1         |
|  |                 |              | SIZE A2 SHEET 1/2 |

H G F E D C B A



| Field | Description   |
|-------|---|
| 1     | Manufacturer Word and Logo according to VW 10540: 5mm logo size   |
| 2     | Manufacturer ECU Number, 2mm font size  |
| 3     | Country of Origin Mark according to VW 10550, 2.5mm font size   |
| 4     | Manufacturing Plant Mark of Manufacturer: 3-digit, 2.5mm font size  |
| 5     | Manufacturing Date in plain writing according to VW 10560, 2.5mm font size  |
| 6     | Serial Manufacturer Number according to Manufacturing Date: 4-digit, 2.5mm font size  |
| 7     | Manufacturer Test Stand Number: 4-digit, 2.5mm font size  |
| 8     | Wordmark according to VW 10514 -S5, 5mm logo size   |
| 9     | VW/AUDI Part Number: max. 14-digit including 3 blank according to DIN 1451 -4 -H4, 4mm font size  |
| 10    | Software Version: max. 4-digit, 2.5mm font size   |
| 11    | Device Designation, 2mm font size   |
| 12    | Hardware Version: max. 3-digit, 2.5mm font size   |
| 13    | Manufacturer Code according to VW 10540-1: 3-digit (equates Manufacture Plant Code in ESG-Ident according to VW 80115), 2.5mm font size   |
| 14    | Data Matrix Code (2D Code) according to VW 01064: Standard Data Content as Square Code Symbol, Symbol Quality according to ISO/IEC 15415, Symbol Attribute according to ECC 200,11.22x11.22mm logo size (15.22mm x 15.22mm with quiet zone) |
| 15    | SPPC -R Symbol, 3mm logo size   |
| 16    | Australia Mark including New Zealand, 3mm logo size   |
| 17    | Canada Mark, 2mm font size  |
| 18    | China Mark, 2mm font size   |
| 19    | Europe Mark including Bosnia-Herzegovina, Iceland, Montenegro, Norway and Switzerland, 5mm logo size  |
| 20    | Japan Mark, 4mm logo size, 2mm font size  |
| 21    | Mexico Mark, 2mm font size  |
| 22    | Serbia Mark, 5mm logo size, 0.6mm font size   |
| 23    | Singapore Mark, 17x9mm logo size, 1.7mm font size   |
| 24    | South Africa Mark, 3mm logo size, 0.6mm font size   |
| 25    | South Korea Mark, 3mm logo size, 2mm font size  |
| 26    | Taiwan Mark, 3mm logo size, 2mm font size   |
| 27    | United Kingdom Mark, 5mm logo size  |
| 28    | United States Mark including Puerto Rico, 3mm logo size   |

| Remark  |
|---|
| - font size must never be less than 2mm according to VW 10540-1   |
| - Software Version must be on the right of VW/AUDI Part Number  |
| - FAZIT Identification String must be at the bottom right and consists of fields: 4, 5, 7, 8, 16  |
| - FAKOM Color Code within Data Matrix Code according to Paul Schneider (AUDI AG, I/ER-43): 3-digit  |
| - Generation Status according to Q-specification of AUDI AG is only mandatory during development phase according to Paul Schneider (AUDI AG, I/ER-43): 3-digit, consisting of 2 numbers and 1 letter    |
| - Manufacturer Revision Status according to VW 80115, Reference Part Number of Hardware and Standardization Name according to VW 10511 are not mandatory according to Paul Schneider (AUDI AG, I/ER-43) |

|  |              |
|--|--------------|
| SEMI FINISHED/ STOCK MATERIAL  |              |
| MATERIAL COLOR   |              |
| PROJECT  | 1ST192005    |
| CUSTOMER   | AUDI         |
| CUST. PRT. NO.   |              |
| CUST. DRW. NO.   |              |
| CUST. MOD. NO.   |              |
| CUST. MOD. DATE  |              |
| GENERAL TOLERANCE  |              |
| MATERIAL   |              |
| APPROVED BY  |              |
| TREATMENT COATING  |              |
| APPROVED DATE  |              |
| ESTIMATED MASS   |              |
| TITLE & DESCRIPTION Radar  |              |
| CDA Radar - Audi CPD PV-sample   |              |
| CREATED BY zoral-hao.lu  |              |
| CREATION DATE 2023-01-04   |              |
| DRAWING NUMBER   | DRAWING REV. |
| DRW_EC30693_001  | A.02         |
| PART NUMBER  | EC30693      |
| SCALE  | 1 : 1        |
| SIZE   | A2           |
| SHEET 2 / 2  |              |
|  |              |
| INTERIOR CONTROLS<br>CHINA<br>North Junyi Ind. Park, Huaide Vil. Fuyong Town, Baoan Dist., 518128 SHENZHEN   |              |
| <small>The CATIA V5 Digitized drawing(s) and 3D model(s) are the only official record(s). Only released, approved, and obsoleted revisions of this drawing and 3D model in the Valeo library are considered official references. These documents are the property of the Valeo entity indicated herein and are strictly confidential. Any reproduction and/or disclosure of these documents to third parties is strictly prohibited.</small> |              |