

# 2.4G PCB Antenna Specification

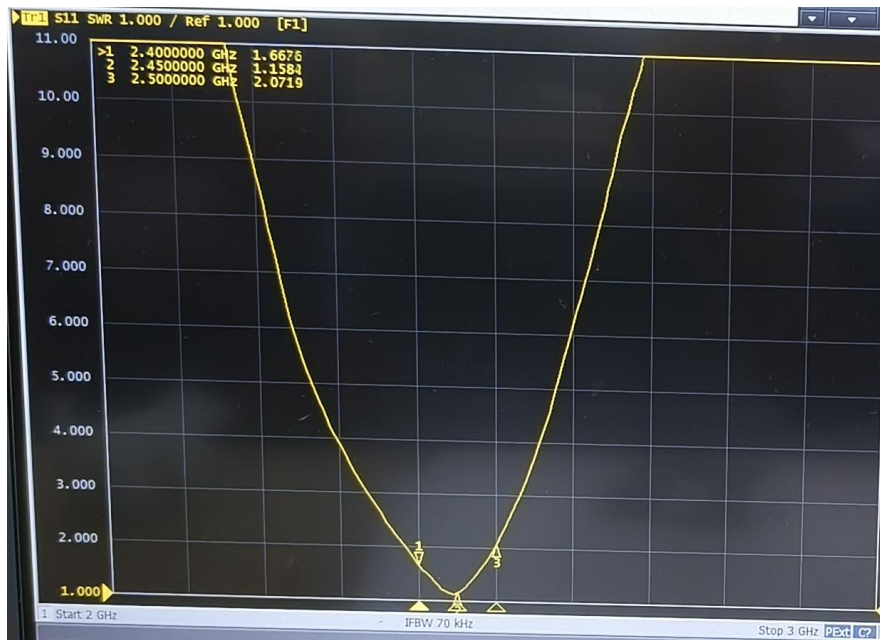
**Manufacturer:** Jiangsu Shushi Technology Co., Ltd.

**Address:** NO.9 Nanxu Road,RunZhou District,Zhenjiang,Jiangsu,China

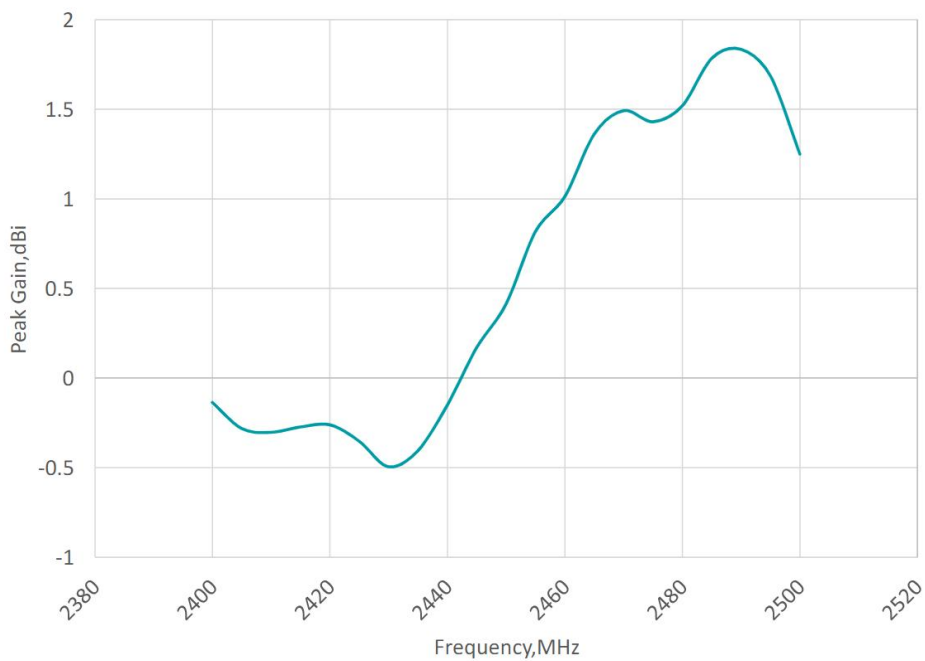
**Model:** 3RTHS0224Z-PCBANT

**Frequency:** 2400 - 2500MHZ

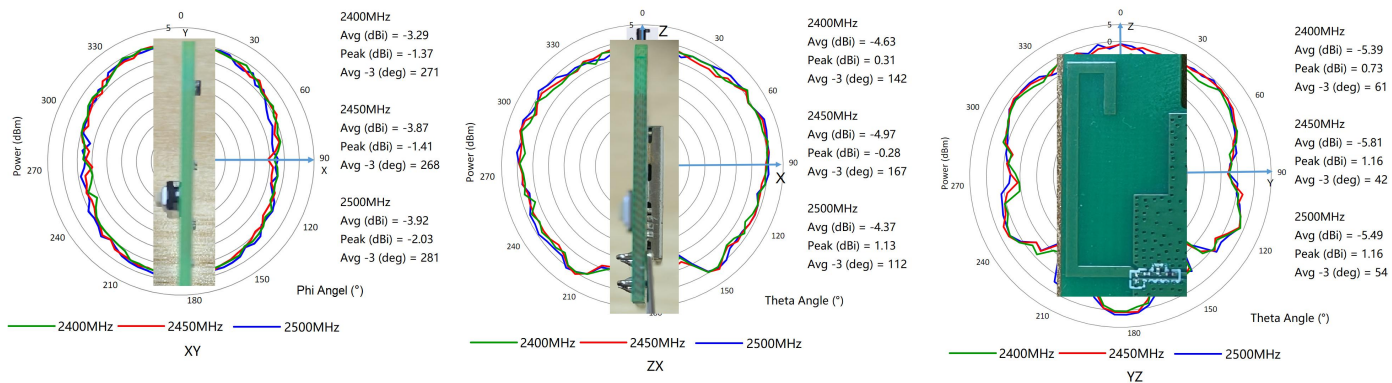
**SWR:** 1.2 – 2.1



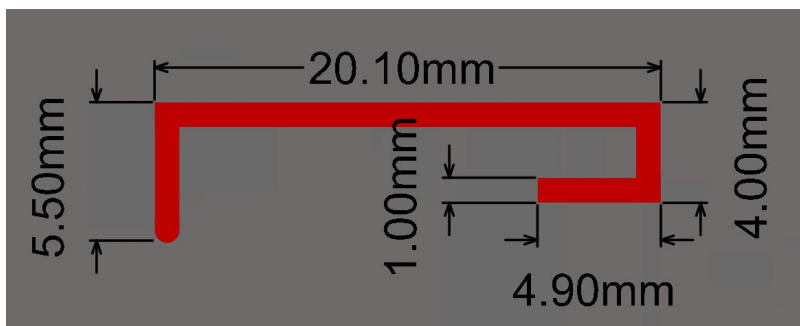
**Peak Gain:** 2.0dBi



## Free Space Radiation Pattern:



**Antenna Dimensions:** Length  $\approx 1/4 * \lambda \approx 31\text{mm}$ , width: 1mm



**Operating Temperature:**  $-20^{\circ}\text{C} \sim +50^{\circ}\text{C}$

**Storage Temperature:**  $-20^{\circ}\text{C} \sim +50^{\circ}\text{C}$