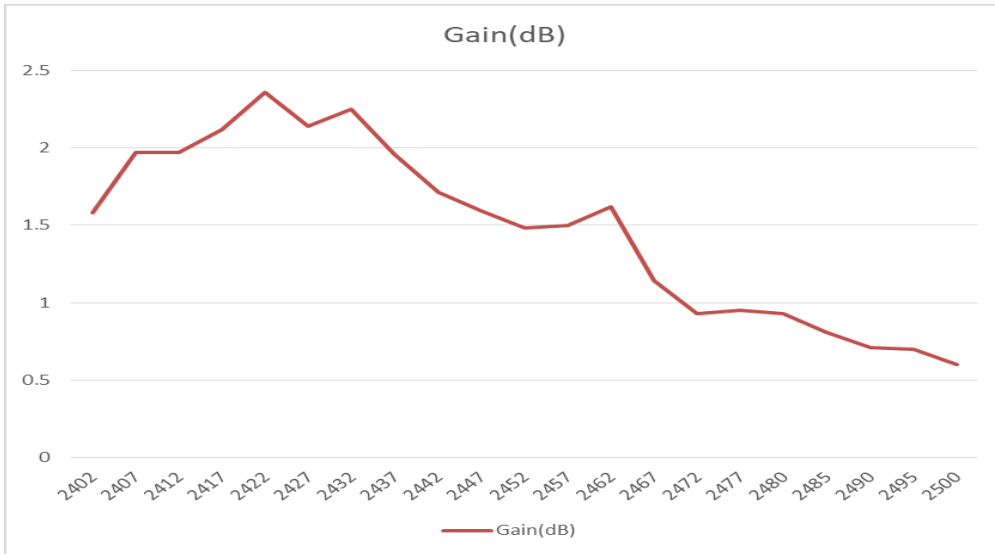


2.4G PCB Antenna Specification for 3RSNL02041WM

Frequency: 2400-2500MHz

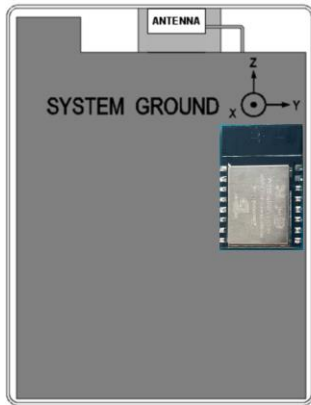
Max Gain: 2.36dBi



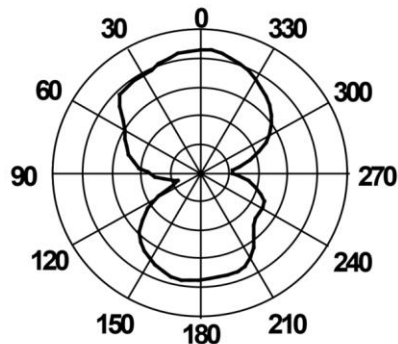
Free Space Radiation Pattern:

@2422MHz

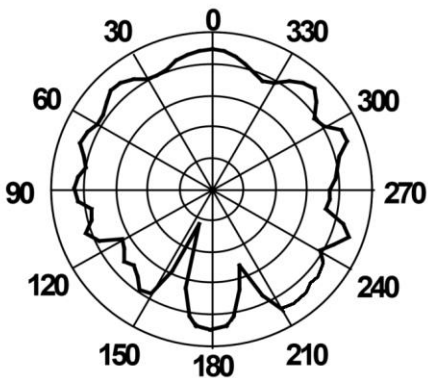
Scale: 5 dBi / div Max : 5 dBi Min : -20 dBi



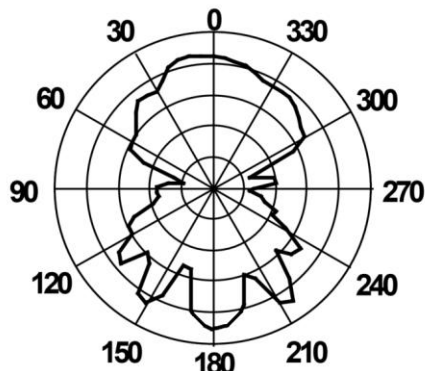
Device Setup & Coordinates



X-Y Plane



X-Z Plane

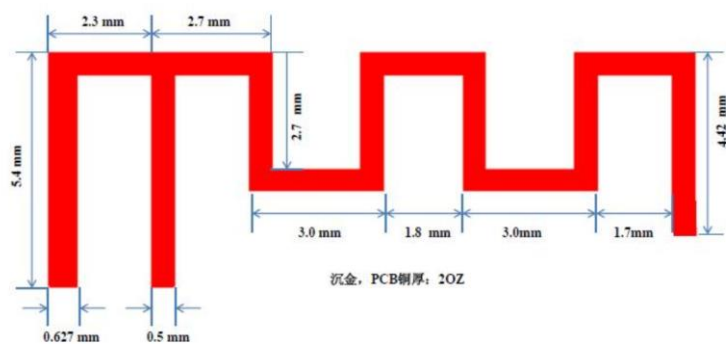


Y-Z Plane

Manufacturer: JIANGSU SHUSHI TECHNOLOGY CO.LTD

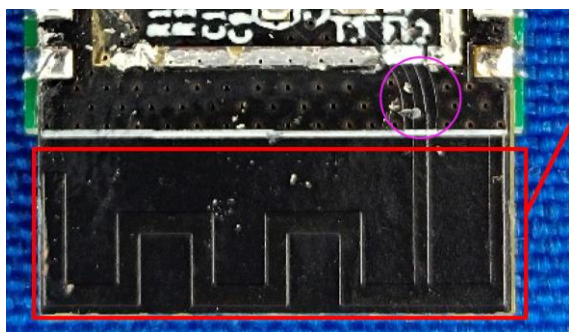
Address: NO.9 NANXU ROAD RUNZHOU DISTRICT ZHENJIANG JIANGSU CHINA

Antenna Dimensions: Length $\approx 1/4 * \lambda \approx 30\text{mm}$, width: 0.5mm



Operating Temperature: $-10^{\circ}\text{C} \sim +50^{\circ}\text{C}$

Storage Temperature: $-10^{\circ}\text{C} \sim +50^{\circ}\text{C}$



Note: The circled part of the figure is the RF transmission line, and the function is to connect the chip and the antenna.