



## E-LINTER Wi-Fi stick User Manual

---

EESW-D204

V220916-R

## 修订历史/Revision History

日期/Date	作者/Author	版本/Version	描述/Description
2022/09/16	Sunyuan	V220916	初始版本/Initial version



目录/Content

修订历史/Revision History .....	2
目录/Content.....	3
1. 简述/Brief .....	4
1.1. 概述/Introduction.....	4
1.2. 符号说明/Symbol .....	4
2. 产品特性/Features .....	5
3. 包装清单/Package list.....	6
4. 产品指示/Indication .....	7
5. 安装与拆卸/Installation and removal .....	8
5.1. 安装采集器/Install the Magpie.....	8
5.2. 拆卸采集器/Disassemble Magpie.....	9
6. 网络连接/Network connection.....	11
7. 下载 APP/Download APP .....	12
8. 安装确认/ Installation confirmation .....	13
9. LED 指示与故障排查/ LED indication and troubleshooting .....	14
10.联系我们/Contact us.....	17




## 1. 简述/Brief

### 1.1. 概述/Introduction

Magpie 是 Wi-Fi 采集器。本手册对 Magpie 采集器的使用进行说明，以便用户能够快速使用该产品。本手册适用于当前软件及硬件版本。我们保留因产品升级对手册内容进行变更的权利。为防止不当操作，使用前请认真阅读本手册。

Magpie is a Wi-Fi gateway. This manual describes the use of Magpie so that users can quickly use the product. This manual applies to the current software and hardware version. We reserve the right to change the content of the manual due to product upgrades. To prevent improper operation, please carefully read this manual before use.

### 1.2. 符号说明/Symbol

符号/Symbol	含义/Description
	“注意”表示有潜在风险，如果未能避免可能无法正常运行或造成损失的情况 “ <b>Attention</b> ” means there are potential risks, if not avoided, it may not operate normally or cause losses
	“危险”表示有潜在危险，如果未能避免会导致伤害情况 “ <b>Danger</b> ” means that there is a potential hazard, which will cause injury if not avoided
	“说明”用于重要或关键信息，对于如何更好的使用该产品做出说明 “ <b>Tip</b> ” is used for important or key information to explain how to better use the product



## 2. 产品特性/Features

- RS-232 communication  
RS-232 通信
- Wi-Fi support AP+STA dual mode  
Wi-Fi 支持 AP+STA 双模式
- Automatic time synchronization when connected to internet  
自动时间同步
- Support remote OTA for gateway  
支持 OTA 升级采集器
- Support remote OTA for inverter  
支持 OTA 逆变器
- Support local setting parameters for inverter by smart phone  
支持通过智能手机本地设置逆变器参数
- Support remote setting parameters for inverter by smart phone  
支持通过智能手机远程设置逆变器参数
- Support data breakpoint resume  
支持工作数据断点续传
- Flame retardant grade: UL94 V-0  
防火等级: UL94 V-0
- UV protection rating: F1  
抗紫外线等级: F1
- Degree of protection: IPX7  
防护等级: IPX7

### 3. 包装清单/Package list

请检查包装附件完整性及是否有可见的损坏。如果附件缺失或损坏，请联系经销商。

Please check the appearance and completeness for auxiliaries. Contact your distributor if missing or damages.

Table 3-1 包装清单/Package list

清单/List	名称/Name	数量/Quality
	<p>Wi-Fi 采集器</p> <p>Wi-Fi stick</p>	<p>1</p>

## 4. 产品指示/Indication

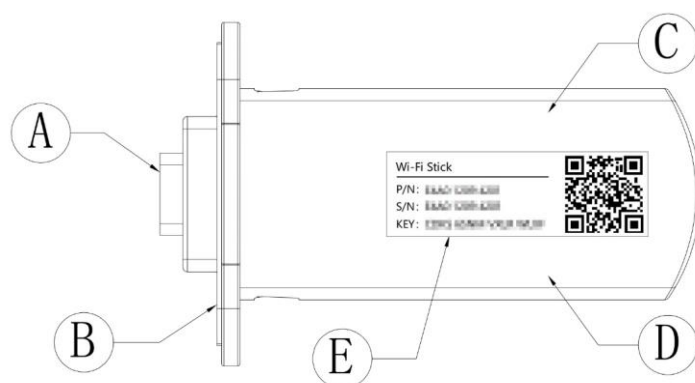


图 4-1-1 产品指示/Indication

**A. DB9 interface:** Connected to inverter

**DB9 接口:** 用于连接逆变器

**B. Seal gasket:** Seal the connection between the Magpie and the inverter.

**防水垫:** 加强逆变器和采集器之间的接口连接, 防止渗水

**C. Red LED:** Device communication indication

**红色 LED:** 设备通信指示灯

**D. Green LED:** Cloud server communication indication

**绿色 LED:** 网络通信指示灯

**E. Product label:** Display product information

**产品标签:** 展示产品信息



1. LED 只有在采集器通电后才显示。

LED glow only when the Magpie is powered on.

2. 采集器通电的时候, 绿灯持续点亮 3 秒, 作为上电指示。

When the Magpie is powered on, the green LED glows for 3S, indicating that the Magpie is powered on.

3. 详细 LED 指示说明请参考【LED 指示与故障排查】章节。

The more detail LED indication please refer "LED indication and trouble shooting" chapter.

## 5. 安装与拆卸/Installation and removal

本章节将介绍如何将采集器安装到逆变器上及如何拆卸。Magpie 具有 Wi-Fi 通讯的功能。

This chapter will introduce how to install the Magpie on the inverter and how to remove it. Magpie has the function of Ethernet and Wi-Fi communication.

### 5.1. 安装采集器/Install the Magpie

1> 插入逆变器 DB9 接口：将采集器插入到逆变器的 DB9 接口上，如下图所示：

Insert into inverter's DB9 interface: insert the Magpie into the inverter's DB9 interface, as shown in the following figure:

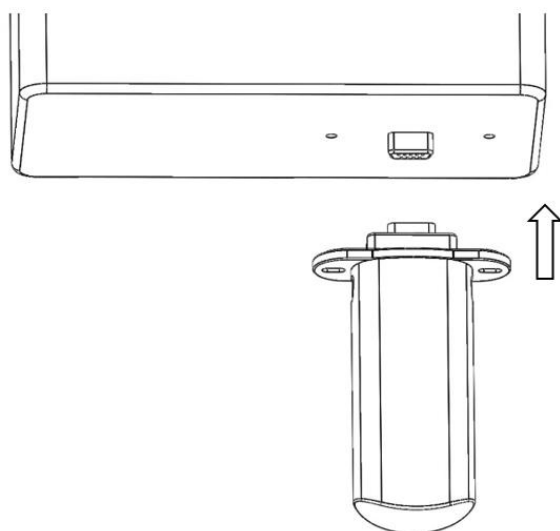


图 5-1-1 插到 DB9 接口/Insert into the DB9 interface

2> 紧固螺丝：将两个螺丝从孔位插入，然后用十字螺丝刀锁紧，如下图所示：

Fasten the screws: insert the two screws through the holes, and then tighten them with a Phillips screwdriver, as shown in the following figure:



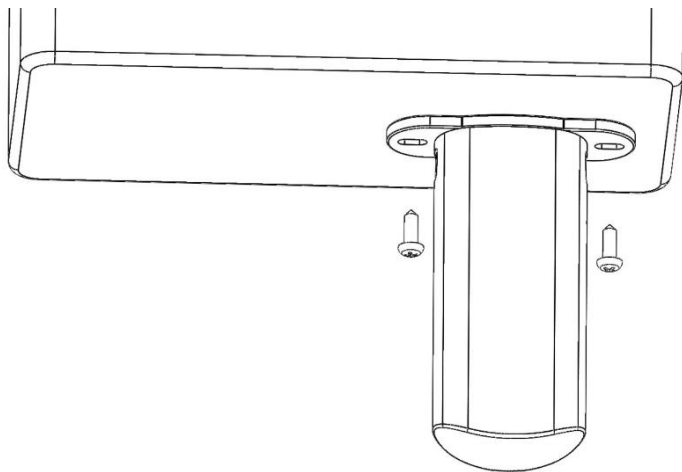


图 5-1-2 插入固定螺丝/ Insert the fixing screws

采集器固定后如下图所示:

After installation as figure below:

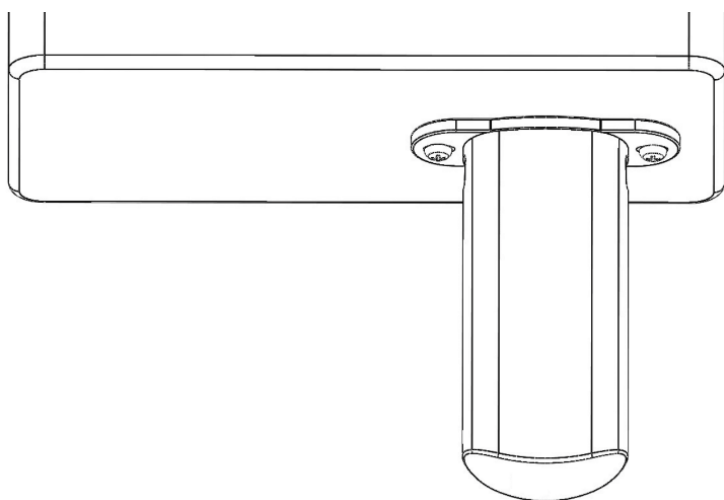


图 5-1-3 固定螺丝/ Fixing screws

## 5.2. 拆卸采集器/Disassemble Magpie

当需要拆卸采集器时, 参考 5.1 章节“安装采集器”用螺丝刀松开螺丝, 然后向下拔出采集器即可, 如下图所示:

When you need to remove the Magpie, refer the chapter 5.1 "Install the Magpie" to loosen the screw with a screwdriver, and then pull out the Magpie, as shown in the figure below:

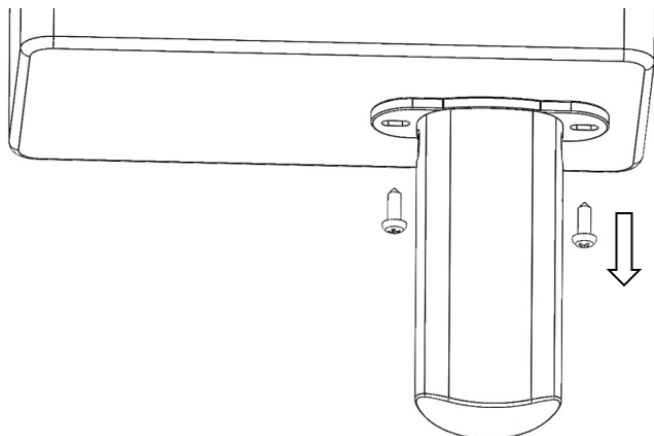


图 5-2-1 拆卸螺丝/ Disassemble the screws

## 6. 网络连接/Network connection

Magpie 采集器支持 Wi-Fi 通信, Wi-Fi 通讯配置方法如下章节所述。

The Magpie supports Wi-Fi communication. The configuration method of Wi-Fi communication is described in the following sections.



1. 进行网络连接时, 逆变器需处于上电状态。

When connecting to the network, the inverter must be powered on.

Magpie 的 Wi-Fi 通讯示意如下图所示, 当用户需要采用 Wi-Fi 通信时, 具体过程可按照章节 7【下载 APP】下载对应的 APP, 按照 APP 的操作指引配置采集器连接到用户的路由器和云服务器。

The Wi-Fi communication diagram of Magpie is shown in the figure below. The specific process can be downloaded according to Chapter 7 "Download APP" to download the APP, and configure the network connection according to the operation guide of the APP.

批注 [孙1]: ???

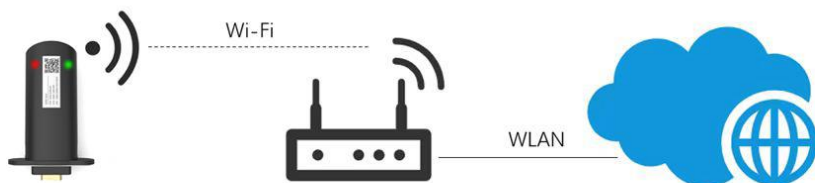


图 6-1-1 Wi-Fi 连接示意图/ Wi-Fi connection diagram

7. 下载 APP/Download APP

iPhone : search "PowerView ES" in Apple Store, or scan the image below with a QR code.

Android: search "PowerView ES" in Google Play, or scan the image below with a QR code.

苹果手机: 可在苹果应用商店搜索 "PowerView ES" 进行下载。或者扫描下方二维码下载。

安卓手机: 可在 Google play 商店搜索 "PowerView ES" 进行下载。或者扫描下方二维码下载。



安卓/Android



苹果/iOS





图 7-1 APP 二维码/QR code for APP

## 8. 安装确认/ Installation confirmation





当采集器红色和绿色 LED 长亮，表示采集器处于正常工作状态，此时可正常监控光伏电站信息。否则，需要根据【LED 指示与故障排查】查章节进行排查。






When the red LED and the green LED on the Magpie are always glowing, it indicates the Magpie is normal, and it flashes during data transmission. Otherwise, it needs to be corrected by referring to the LED indication and troubleshooting chapter.


9. LED 指示与故障排查/ LED indication and troubleshooting

-  红灯，即逆变器通信指示
-  绿灯，即网络通信指示
-  Red LED: Inverter communication indication
-  Green LED: Network communication indication

具体信息如下表格/The details as following table:

LED	State/状态	Indication/说明
	<p>Cycle for 2S: flash once quickly, then glowing</p> <p>2S 周期循环: 快速闪烁一次, 然后点亮</p> 	<p>Communication is normal</p> <p>正常通信</p>
	<p>Not glow more than 20S</p> <p>熄灭状态超过20S</p> 	<p>The power supply to the Magpie is abnormal or damaged:</p> <p>1.Check whether the power supply of the Aerial Plug Interface on the inverter is normal</p> <p>2.Magpie abnormal, contact the dealer</p> <p>采集器供电异常或者损坏:</p> <p>1.请确认逆变器的航空头接口供电是否正常</p> <p>2.或者请联系经销商</p>
	<p>Cycle for 2S: flash once quickly, then off</p> <p>2S 周期循环: 快速闪烁一次, 然后熄灭</p> 	<p>Communication failure:</p> <p>1.Check whether the connection between the Magpie</p> <p>2.and inverter is loose or poor contact</p> <p>通信异常:</p> <p>1.请检查采集器与逆变器之间的连接是否松动</p> <p>2.或者接触不良</p>

	<p>When powered on, continuously glows 3S, and then off 通电后, 点亮 3S, 然后熄灭</p> 	<p>Power on indication 通电指示</p>
●	<p>Glow more than 5S 点亮时间超过 5S</p> 	<p>Communication is normal 通信正常</p>
	<p>During the long glowing, flash occasionally 长亮过程中, 偶尔闪烁</p> 	<p>Network transmit data 网络传输数据</p>
	<p>Cycle for 20S: flash once quickly, then off 20S 周期循环: 快速闪烁一次, 然后熄灭</p> 	<p>The route is not connected: 1. Check whether the password is right 2. Check the strength of the router 未连上路由器: 1. 请检查路由器密码是否正确 2. 请检查路由器信号是否偏弱</p>
●	<p>Cycle for 20S: flash 3 times continuously, then off 20S 周期循环: 连续快速闪烁三次, 然后熄灭</p> 	<p>Connect to the route, but can't connect to the cloud server: 1. Check whether the router has Internet access permission 2. Check the firewall setting 连上路由器但无法连接云服务器: 1. 请检查路由器是否有上网权限 2. 请检查是否有防火墙设置</p>

<p>Cycle for 20S: flash 3 times continuously, then off</p> <p>20S 周期循环: 连续快速闪烁三次, 然后熄灭</p> 	<p>Cycle for 20S: flash 4 times continuously, then off</p> <p>Magpie information error: Contact the dealer</p> <p>20S 周期循环: 连续快速闪烁四次, 然后熄灭</p> <p>采集器信息错误: 请联系经销商</p>
--	---



## 10. 联系我们/Contact us

服务邮箱: support@e-linter.com

Service email: support@e-linter.com

公司总机: 028-6787 8658

Switchboard: 028-6787 8658

服务电话: 028-6787 8658-621

Service Call: 028-6787 8658-621

成都地址: 成都市高新区府城大道西段 399 号天府新谷 10 号楼 9 楼

Address1: Floor 9, Building 10, Tianfu New Valley, No. 399, West Section of Fucheng Avenue, Chengdu, Sichuan, China

苏州地址: 江苏省苏州市高新区嵩山路 206 号 1 号楼

Address2: Building 1, No. 206, Songshan Road, Suzhou, Jiangsu, China

## **FCC Statement**

This device complies with Part 15 of the FCC Rules. Operation is subject to the following two conditions:

(1) This device may not cause harmful interference.

(2) This device must accept any interference received, including interference that may cause undesired operation.

2. Changes or modifications not expressly approved by the party responsible for compliance could void the user's authority to operate the equipment.

Note: This equipment has been tested and found to comply with the limits for a class B digital device, pursuant to Part 15 of the FCC Rules. These limits are designed to provide reasonable protection against harmful interference in a residential installation.

This equipment generates uses and can radiate radio frequency energy and, if not installed and used in accordance with the instructions, may cause harmful interference to radio communications. However, there is no guarantee that interference will not occur in a particular installation. If this equipment does cause harmful interference to radio or television reception, which can be determined by turning the equipment off and on, the user is encouraged to try to correct the interference by one or more of the following measures:

- Reorient or relocate the receiving antenna.
- Increase the separation between the equipment and receiver.
- Connect the equipment into an outlet on a circuit different from that to which the receiver is connected.
- Consult the dealer or an experienced radio/TV technician for help.
- This equipment complies with FCC radiation exposure limits set forth for an uncontrolled environment. This equipment should be installed and operated with a minimum distance of 20 cm between the radiator and your body.