

- In the mode of RGB, wheel ⑩ to change hue 0-360°, and short press ⑩ then wheel to change saturation from 0% to 100%. Shottly press ⑩ goes to the control between hue and saturation. Wheel ⑭ always changing intensity from 0 % to 100 %.
- In the mode of HSI, long press MODE button allows ⑩ to change another 8 different special effects from F1 to F8, shortly press ⑩ to change speed from 1 to 9.

Cop Car / Party / Fireworks / Disco / Ambulance / Fire Siren / RGB Loop / Welding

- | | | |
|-------------------------|---|---|
| ⑪ DMX512 input/output | ⑫ DMX Channel selector button
Rotating ⑭ to select address | ⑬ 2.4G remote selector button
Rotating ⑭ to select address |
| ⑭ Dimmer / Channel knob | ⑮ Power socket | ⑯ Power switch
"I" for battery power supply, "O" for Power off,
"II" for Adapter power supply |

● 保养及注意事项 Warning And Notes

- 使用环境应保持干燥、通风；
- 使用中不得有水或其它液体滴入产品中，以免造成内部电路短路，而损坏产品；
- 不要使用超过额定的电压；
- 灯体稍微有发热为正常现象；
- 移动或安装时，需轻拿轻放，切勿撞击其它物体，以免造成灯体损坏；
- 摄影/摄像LED灯点亮时，请勿直视，避免伤害眼睛；
- 避免将摄影/摄像灯放置在如洒灯或汽油等易挥发的溶剂附近；
- 请用干软布来清洁摄像/摄影灯，您可以用布稍稍沾上一些中性的清洁剂来擦去较难去除的污垢，然后用软布将其擦干；
- 请勿在儿童伸手可及之内保管本产品；
- 各灯保险丝请勿超过规定电流值；
- 非专业人士，请勿随便拆卸、否则后果自负；
- LED影视灯长时间不用时请切断电源；
- 请遵守此注意事项，否则将可能导致受伤。

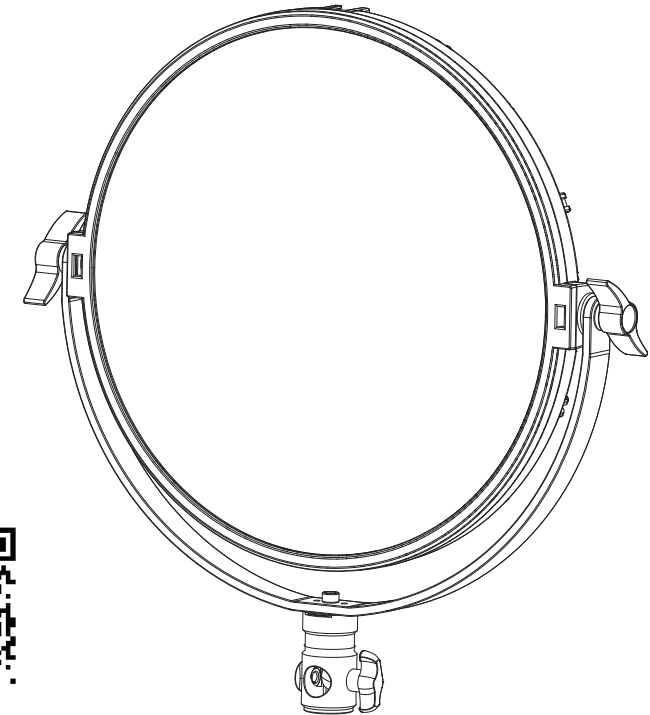
- The environment should be kept dry and ventilated when using the light.
- Please do not let the device be exposed to rain or moisture, to avoid circuit problem.
- Please do not use the light with over- rated voltage.
- It's normal the fixture will be a little hot when working.
- During transportation and installation process, please do not hit against other items, or else it may cause deformation to the lamp shade and damage to the light.
- Please do not directly look at the light bulb with naked eyes when the light is on.
- Please do not place the light near by such as alcohol or gasoline and other flammable or volatile solvents.
- Please use the soft dry cloth to clean the light. You can wash with a cloth with some neutral detergent to remove the dirt that is difficult to remove, and then dry with a soft cloth.
- Keep the light out of reach from children.
- Please do not work when over-current.
- Do not disassemble equipment. Touch the product's internal part could result in injury. In the event of malfunction, the product should be repaired only by a qualified technician.
- Please cut off power when the light isn't used for long time.
- Please note the precautions, or could result in injury.

注：产品如有技术更改，恕不另行通知 / Note:The technical data are subject to change without notice.



柔光系列LED说明书 Manual of LED Soft Light Series

Model No.R-S60RGB



扫描二维码下载手机 App - Linklite

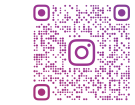
Scan QR Code to Download App - Linklite

东莞市图立方影视器材有限公司

工厂地址：广东省东莞市厚街镇溪头村溪头工业区溪宝路15号
电话（国际）：0086-769-8592 4988 8599 9808 传真：0086-769-8590 5228
咨询热线（国内）：400-900-3829

Tolifo (Dongguan) Photographic Equipment Co., Ltd

Factory in china: 15 Xibao Rd, Xitou Industrial Park, Xitou Village, Houjie, Dongguan
Tel (International) : 0086-769-8592 4988 8599 9808 Fax: 0086-769-8590 5228



TOLIFOLIGHT

● 产品介绍 Product Introduction

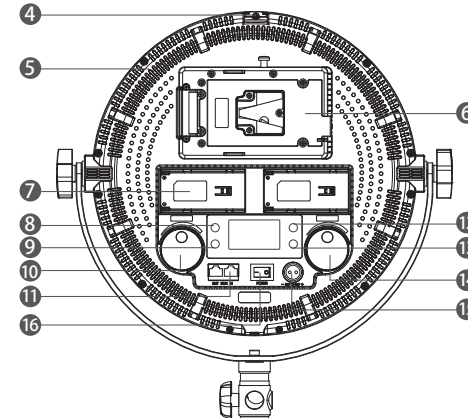
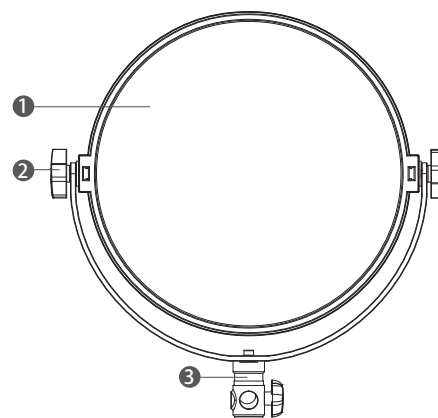
感谢选购本产品，此款柔光系列补光灯采用高强度PC外壳，设计简约、坚固耐用、美观时尚，其机身轻巧，易于携带，操作简单。配置了HSI彩光模式，可以调节色相、饱和度、CCT模式、特效，可以定义36000余种色彩，满足用户各种需求，实现多场景设置、彰显拍摄创意。摄影、视频、直播等场合不可或缺的设备。可2.4G无线遥控及APP控制调光，操作简便。

R-S60RGB is a thin and portable fixture that provides photographers and videographers with a natural and soft continuous light source with broad coverage. This light fixture is built-in with HSI mode that gives you access to literally more than 36000 colors and different pre-programmed creative lighting effects. The light has a wide variable color range from 2700 to 10,000K and a high CRI rating. It features flicker free dimming from 0-100% and while you can make adjustments locally on the fixture, you can also make them wirelessly with a separately-available 2.4G remote controller, DMX console or mobile APP. The moon light operates on either AC power or battery power, it will accept either NP-F batteries or V-mount battery. It is useful for live broadcast, video, studio, still life, portrait, wedding, macro, streaming, interview lighting, and more.

● 技术参数 Product Specifications

型号 (Model No.)	R-S60RGB
功耗 (Output Power)	60W
色温调节 (Color Temperature)	2700K-10000K ±200K
CRI	≥95
色相 (Hue)	0-360°
调光范围 (Dimmer)	0%-100%
饱和度 (Saturation)	0%-100%
LED数量 (LED Quantity)	2835 : 600PCS ; 5050RGB : 300PCS
特效 (Special Effects)	20种 20 Options
特效速度 (Flash Speed)	1-9
APP控制 (App Control)	LinkLite (基于蓝牙)
遥控 (Remote Control)	99通道2.4G无线遥控 99 channels 2.4G wireless remote control
遥控距离 (Remote control distance)	>30M
DMX512调光 (DMX512 dimmer)	YES
可装电池型号 (Lithium Battery Type)	NP-F970*2 / V型系列锂电池 NP-F970*2 / V-mount battery plate
DC电源输入 (DC power input)	DC15-19V
尺寸 (Size)	300 x 300 x 55mm

● 部件介绍 Overview



- ① 柔光扩散板
- ② 角度调节旋钮
- ③ 支架底座
- ④ 热靴卡口
- ⑤ 散热孔
- ⑥ V型系列锂电池卡座
- ⑦ 电池仓 可装NP-F970电池
- ⑧ 功能模式
短按MODE键在色温模式和RGB控制模式间切换
在色温控制状态下，长按MODE键可进入该模式下的12种特效选择
在HSI控制状态下，长按MODE键可进入该模式下的8种特效选择
- ⑨ APP蓝牙
- ⑩ 色相/饱和度/特效调节旋钮
1. 短按MODE键在色温模式和RGB控制模式间切换
2. 在色温控制模式下，旋转⑩ 调节色温范围2700K至9999K，旋转⑭ 调整亮度0-100%
3. 在色温控制模式下，长按⑧ 模式按钮可选择12种不同特效 F1-12，短按⑩ 则选择频率1-9。
脉冲 / 篝火 / 闪电 / 爆炸 / 电视 TV / 烛光 / 故障灯 / 呼吸灯 / 狗仔队 / 紧急呼救 / 渐亮 / 渐暗
4. 在RGB模式下，旋转⑩ 改变调整色温范围 0-360°，短按⑩ 则进入饱和度控制，然后旋转⑩ 选择0%到100%。此状态下旋钮在短按时选择控制色温或饱和度。旋转⑭ 调整亮度0-100%。
5. 在色温控制模式下，长按模式按钮可选择8种不同特效 F1-F8，短按⑩ 则选择频率1-9。
警车 / 派对 / 烟花 / 迪斯科 / 救护车 / 消防车 / RGB循环 / 焊接
- ⑪ DMX512-RJ45接口
- ⑫ DMX按键
旋转⑭ 可调节地址
- ⑬ 2.4G 遥控按键
旋转⑭ 可调节地址
- ⑭ 亮度/频道选择
调节0%-100%亮度 (10%~100%)
- ⑮ 电源插孔
- ⑯ 电源开关
按“I”方向时为电池供电，当按“O”方向时为关机，
按“II”方向时，为适配器供电
- ① Light diffuser
- ② Tilt adjusting knob
- ③ 16mm (5/8") Spigot
- ④ Accessory shoe mount
- ⑤ Vents
- ⑥ V-mount battery plate
- ⑦ Battery plate NP-F970 battery plate
- ⑧ MODE
Shortly press MODE button to switch between CCT and HSI control.
In the mode of CCT, long press MODE button allows to change 12 different special effects from F1 to 12.
In the mode of HSI, long press MODE button allows to change another 8 different special effects from F1 to F8
- ⑨ Bluetooth connection when you access to APP control
- ⑩ COLOR / SAT / FX
1. Shortly press MODE button to switch between CCT and HSI control.
2. In the mode of CCT, wheel⑩ to change the color temperature from 2700K to 9999K, wheel⑭ to change intensity from 0% to 100%.
3. In the mode of CCT, long press MODE button allows ⑧ to change 12 different special effects from F1 to 12, shortly press⑩ to change speed from 1 to 9.
Pulsing / Campfire / Lightning / Explosion / TV / Candle / Fault Bulb / Breathe / Paparazzi / SOS / Flame / Fade

FCC Statement

This equipment has been tested and found to comply with the limits for a Class B digital device, pursuant to part 15 of the FCC rules. These limits are designed to provide reasonable protection against harmful interference in a residential installation. This equipment generates, uses and can radiate radio frequency energy and, if not installed and used in accordance with the instructions, may cause harmful interference to radio communications. However, there is no guarantee that interference will not occur in a particular installation. If this equipment does cause harmful interference to radio or television reception, which can be determined by turning the equipment off and on, the user is encouraged to try to correct the interference by one or more of the following measures:

- Reorient or relocate the receiving antenna.
- Increase the separation between the equipment and receiver.
- Connect the equipment into an outlet on a circuit different from that to which the receiver is connected.
- Consult the dealer or an experienced radio/TV technician for help.

To assure continued compliance, any changes or modifications not expressly approved by the party.

Responsible for compliance could void the user's authority to operate this equipment. (Example- use only shielded interface cables when connecting to computer or peripheral devices).

This equipment complies with Part 15 of the FCC Rules. Operation is subject to the following two conditions:

- (1) This device may not cause harmful interference, and
- (2) This device must accept any interference received, including interference that may cause undesired operation.

FCC Radiation Exposure Statement:

The equipment complies with FCC Radiation exposure limits set forth for uncontrolled environment. This equipment should be installed and operated with minimum distance 20cm between the radiator and your body.