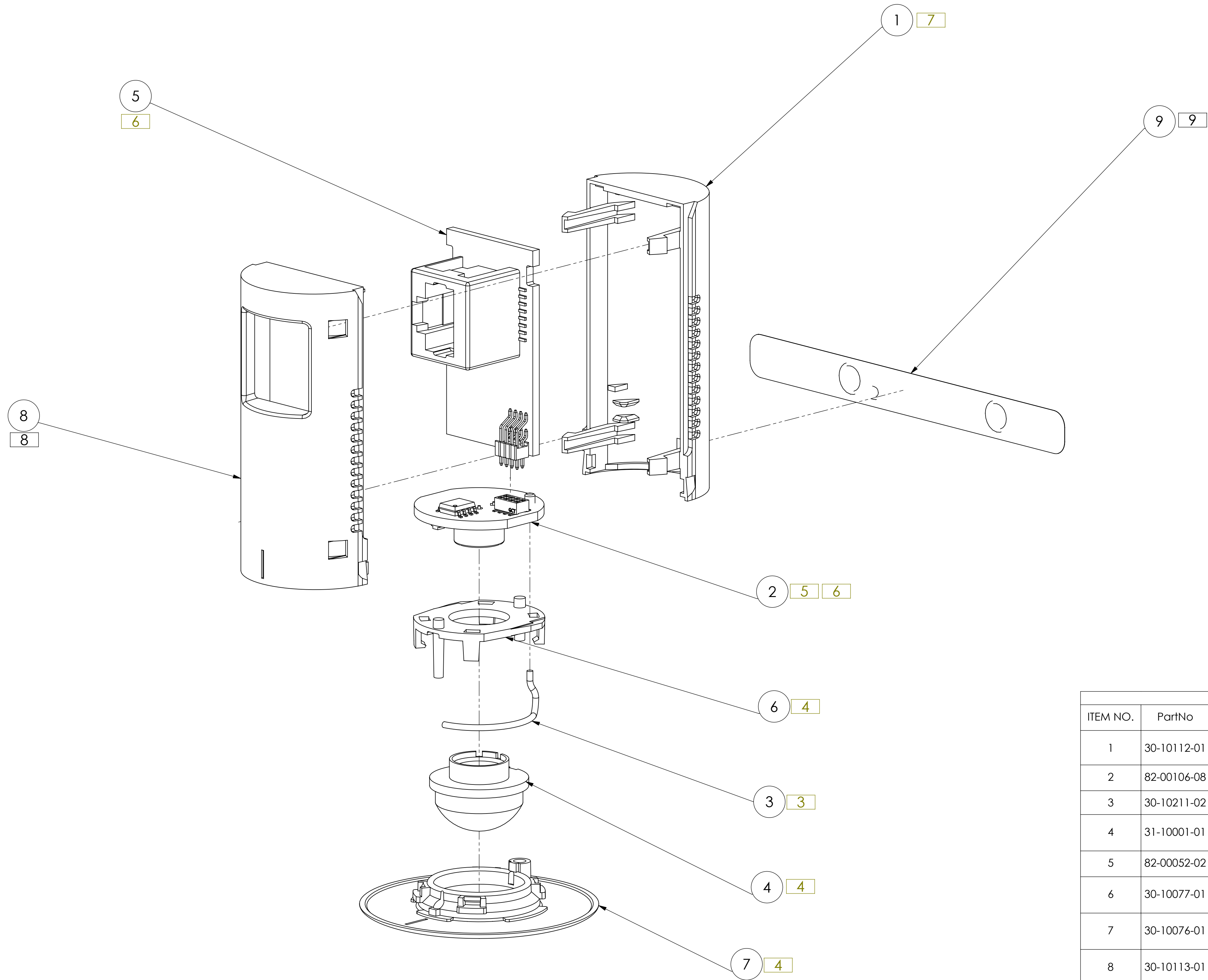


REVISIONS					
ZONE	REV	DESCRIPTION	ECO	APRVD ENG	APRVD MFG
	01	ADD FCC, IC NUMBERS & MAKE CM PRINTABLE LBL	02/22/23	EJD	



- NOTES: UNLESS OTHERWISE SPECIFIED
- THIS IS A COMPUTER GENERATED DOCUMENT. ALL CHANGES MUST BE MADE TO THE MASTER DATABASE ONLY.
 - REFERENCE BOM 75-10107-XX.
 - ROUTE JOGGLED END OF ITEM 3, ANTENNA, THRU ITEM 6, LIGHT PIPE (LP) HOLE NEAR AMBIENT LIGHT SENSOR LP AND INSTALL THIS END INTO ITEM 2, PCA, ANTENNA CONNECTOR. SEAT TO JOGGLE.
 - INSTALL ITEM 6, LIGHT PIPE (LP) ABOUT ITEM 4, LENS AND ITEM 4, LENS CAP, MAKING SURE ALL THREE PARTS ARE ALIGNED PROPERLY AND THAT THE LP SNAPS SECURELY IN PLACE ON THE LENS CAP.
 - INSTALL ASSEMBLED PLASTICS ONTO ITEM 2, ALIGNING LENS NOTCH TO DPIR COMPONENT TAB. SEAT FIRMLY.
 - INSTALL ASSEMBLED SENSOR CONNECTOR TO ITEM 5, GATEWAY PCA CONNECTOR. SEAT CONNECTORS FULLY.
 - INSTALL ASSEMBLED PCAs INTO ITEM 1, SNAP HALFTUBE. ASSURE ALL COMPONENTS ARE SEATED IN THEIR ASSOCIATED NOTCHES AND SUPPORTS.
 - INSTALL ITEM 5, HALF TUBE ONTO ITEM 1, SNAP HALF TUBE, MAKING SURE THE TWO HALF TUBES SNAP SECURELY IN PLACE AND THE LENS CAP IS RETAINED PROPERLY.
 - REMOVE LABELS FROM BACKING PAPER AND APPLY WHERE INDICATED, INSURE LABEL OVER LAPS BOTH HALF TUBE SEAMS.

75-10107-07_01 BOM Table

ITEM NO.	PartNo	Revision	DESCRIPTION	Qty.	Vendor	VendorNo	VendorRev	Vendor2	Vendor2No
1	30-10112-01	02	PLASTC FAB,MOLDED, SENSOR SNAP HALF TUBE, GLASSES	1	Venture Plastics / PDM	30-10112-01	02		
2	82-00106-08	01	wtec Marconi PCA	1	Sittig	82-00106-08	01		
3	30-10211-02	05	METAL FAB, STMPD, ANTENNA, SENSOR 3	1	Scandic	30-10211-02	05		
4	31-10001-01	01	LENS, PIR, FRESNEL, CONVEX	1	Nicera (Nippon Ceramic)	NCL-9(26)	NA	Zilog	PS0286
5	82-00052-02	01	GLASSES RJ45 POD BOARD PCA	1	Sittig	82-00052-02	01		
6	30-10077-01	03	PLASTC FAB,MOLDED, SENSOR LP, BC	1	Union Electric Corp	30-10077-01	03		
7	30-10076-01	03	PLASTC FAB,MOLDED, SENSOR CAP, BC	1	Union Electric Corp	30-10076-01	03		
8	30-10113-01	02	PLASTC FAB,MOLDED, SENSOR LATCH HALF TUBE, GLASSES	1	Venture Plastics / PDM	30-10113-01	02		
9	60-10020-05	03	LABEL, MODEL/SERIAL/PWR/AGENCY, SENSOR, CALLAWAY	1	Sittig	60-10020-05	03		

UNLESS OTHERWISE SPECIFIED DIMENSIONS ARE IN MILLIMETERS: GENERAL TOLERANCES ARE:		THE INFORMATION CONTAINED IN THIS DRAWING IS CONFIDENTIAL AND THE SOLE PROPERTY OF W-IBC AG. ITS CONTENTS MAY NOT BE DISCLOSED OR REPRODUCED, IN PART OR AS A WHOLE, WITHOUT PRIOR WRITTEN PERMISSION OF W-IBC AG.	
LINEAR X ±.5 XX ±.25 XXX ±.100	ANGULAR ±1°	HOLE Ø XX ±.25 XXX ±.100	
MATERIAL	APPROVALS	DATE	
	E DEVENPORT	02/22/2023	
	CHECKED		
	ENGR		
	MFG ENGR		

smartengine | wtec

TITLE:
**ELMECH ASY, WTEC, MARCONI
POD**

SIZE DWG. NO. **75-10107-07** REV **01**

SCALE: 2:1 DO NOT SCALE DRAWING SHEET 1 OF 1

THIS IS A COMPUTER GENERATED DOCUMENT. ALL CHANGES MUST BE MADE TO THE MASTER DATABASE ONLY. THIS DRAWING SHOULD BE USED IN CONJUNCTION WITH THE 3D CAD FILE SUPPLIED BY W-IBC AG FOR PART GEOMETRY AND DIMENSIONS NOT SHOWN HEREIN. *** DIMENSIONS SHALL BE USED FOR PROCESS CONTROL.

75-10107-07_01