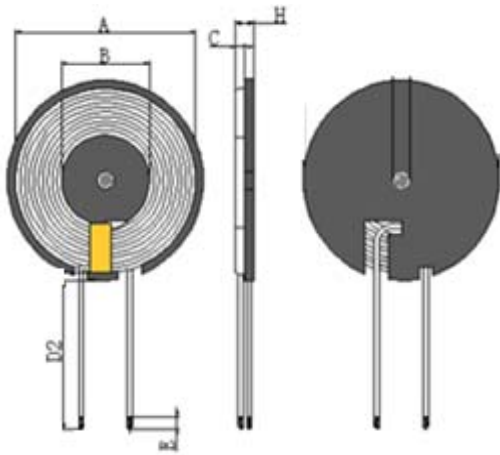
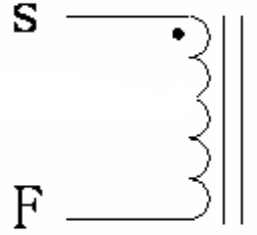


SPECIFICATION FOR APPROVAL

1.MECHANICAL DIMENSION (UNIT:mm)



2.SCHEMATICS:



1. Coil sticker magnetic sheet, magnetic sheet size 45mm, thickness is 0.8 ± 0.05 mm
Open L line slot.
- 2.Coil out position
Wrap adhesive paper 1-2Ts;
- 3.Adhesive on the back of the magnetic

A	B	C	D2	E	H				I
45±1.0	20±0.5	0.8±0.05	7±2	3±1.5	2.6MAX				

3.WINDING:

STEP	START-FINISH	WIRE TYPE	TURNS	TAPE	REMARK
N1	S-F	silk-covered wire $\varnothing 0.08*105$ strand 2UEW	10TS (Ref)		

4.ELECTRICAL SPECIFICATION:

ITEM	L	DCR	L	Q	HI-POT
TEST CO	Coil plus magnetic pl	S-F	coil		
	100KHz,0.25V	AT 25°C	100KHz,0.25V		
SPEC	6.4uH±10%	60mΩ Max	3.8uH±15%		

5.BILF OF MATERIAL:

NO.	ITEM	MATERIAL SPECIFICATION	MANUFACTURER	SGS NO.
1	silk-covered wire	silk-covered wire 0.08*105 strand	NANJINGJINNINGCO,LTD	
2	Lead-free Solder Bar	Lead-free Solder Bar	QIAODO	
3	magnetic sheet	$\varnothing 45*0.8$ Manganese zinc hard magnetic sheet	TAIYI CO.,LTD	
4	Glue	Glue 9999	LIANCHENG CO.,LTD	
5	high-temperature adhesive tape	8mm width high-temperature adhesive tape	CUDAK CO.,LTD	
6	gum	$\varnothing 43.5*0.1$	CUDAK CO.,LTD	

HRSW ELECTRONICS CO.,LTD	PART NO	
	TITLE	G45 Slotted + backed glue50mm
DRAWN BY	CHECKED BY	APPROVED BY
He Weihua	Wei Lihong	Wei Lihong