



UNDER CABINET BLUETOOTH®
SPEAKER WITH FM RADIO

EKR-1000



USER MANUAL

Please read carefully before use and keep for future reference.

SAFETY INSTRUCTIONS

1. Read these instructions – All the safety and operating instructions should be read before this product is operated.
2. Keep these instructions. The safety and operating instructions should be retained for future reference.
3. Heed all warnings. All warnings on the appliance and in the operating instructions should be adhered to.
4. Do not use this apparatus near water. The device should not be used near water or moisture – for example, in a wet basement or near a swimming pool, and the like.
5. Clean only with a dry cloth.
6. Do not block any ventilation openings.
7. Do not operate or place near any heat sources such as radiators, heat registers, stoves, or other apparatus (including amplifiers) that produce heat.
8. Protect the power cord from being walked on or pinched particularly at the plugs, power outlets, and at the point where they exit from the apparatus.
9. Only use attachments/accessories specified by the manufacturer.
10. Unplug the apparatus during lightning storms or when unused for long periods of time.
11. Refer all servicing to qualified personnel. Servicing is required when the apparatus has been damaged in any way, such as a damaged power supply cord or plug.
12. **WARNING:** To reduce the risk of fire or electric shock, do not expose this device to any moisture, including rain or high humidity. Do not place any vases, or any liquid containers on the speaker.
13. Only use the device in moderate climates.
14. The ventilation should not be impeded by covering the ventilation openings with items, such as newspapers, tablecloths, curtains, etc.
15. Do not place open flame sources, such as lighted candles, on the apparatus.
16. **CAUTION:** These servicing instructions are for use by qualified service personnel only.
17. To reduce the risk of electric shock do not perform any servicing other than that contained in the operating instructions unless you are qualified to do so.
18. **CAUTION: TO REDUCE THE RISK OF ELECTRIC SHOCK, DO NOT REMOVE THE DEVICE HOUSING. DO NOT OPEN THE UNIT. SERVICING SHALL ONLY BE DONE BY QUALIFIED SERVICE PERSONNEL.**
19. **NOTE:** The manufacturer is not responsible for any radio or TV interference caused by unauthorized modifications.
20. Stop operation immediately if any liquid or solid object should fall into the cabinet.

21. If the unit is not to be used for a long period of time, make sure that all power sources are disconnected from the unit. Unplug the AC-DC adaptor from the wall outlet. Make it a practice to remove the AC-DC adaptor by grasping the plug and not by pulling the cord.
22. Place the unit on a flat and even surface.
23. When left in a heated room where it is warm and damp, water droplets or condensation may form inside the unit. When there is condensation inside the unit, the unit may not function normally. Let it stand for 1 to 2 hours before turning the power on, or gradually heat the room up and dry the unit before use.
24. Should any trouble occur, remove the power source and refer servicing to qualified personnel.

PACKAGE CONTENTS

Main Unit..... 1 Piece	User Manual..... 1 Piece
AC Adaptor 1 Piece	Mounting Kit..... 1 Set

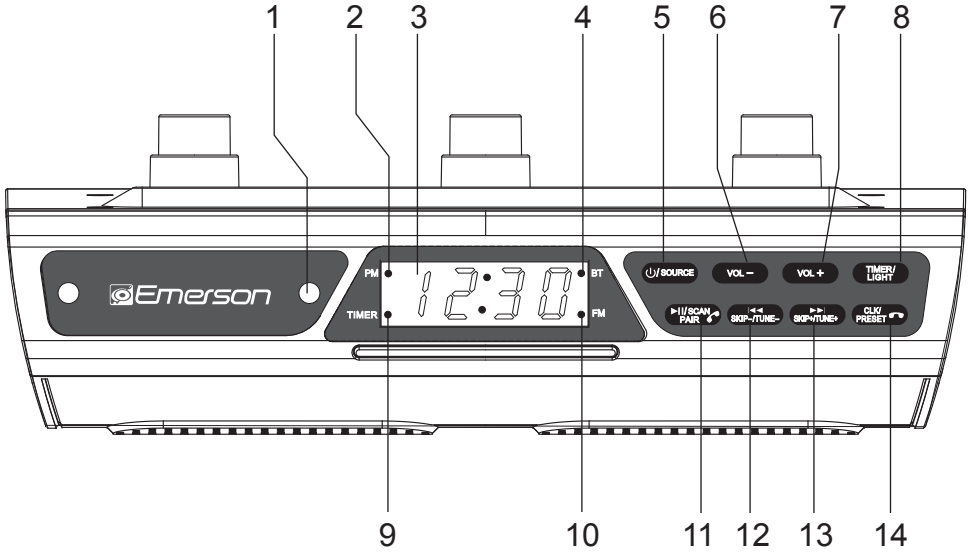
DEVICE SPECIFICATIONS

Power Adaptor	AC Input: 120 ~ 60Hz DC Output: 5V 1.2A
Power Consumption	10W
Bluetooth Data	Version 5.3 Supports Profile A2CP/HFP
Radio Frequency Range	FM: 87.5 - 108 MHz
Audio Output Power	2W x 2 Total 4W RMS
Approximate Dimensions	2.6 in. (H) x 9.1 in. (W) x 6.7 in. (D)
Weight	1.2 LBS

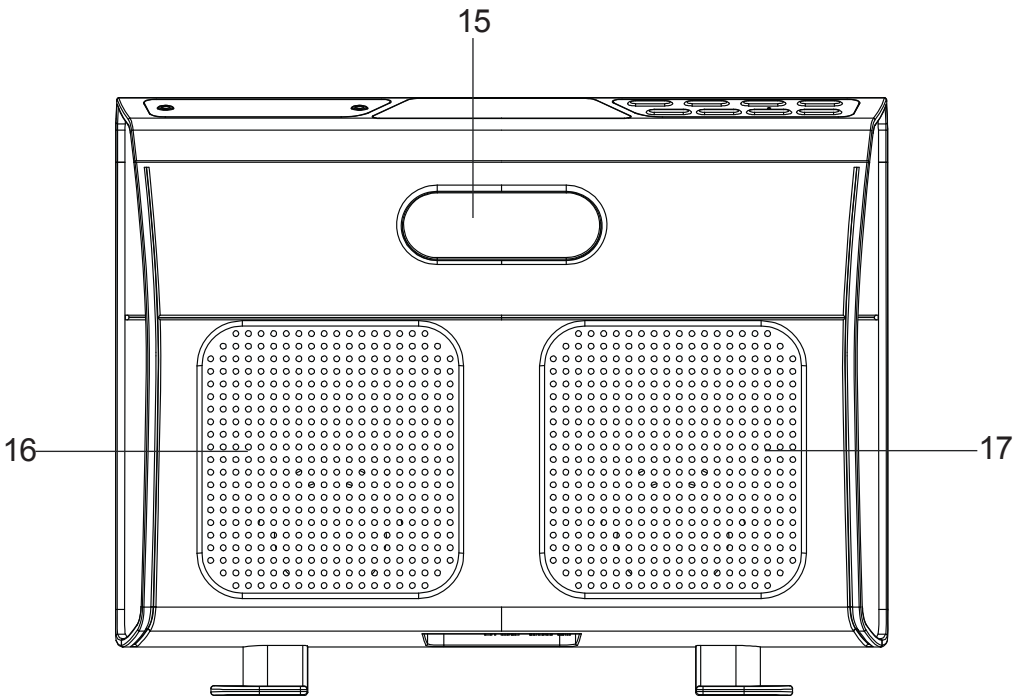
NOTE: SPECIFICATIONS AND ACCESSORIES ARE SUBJECT TO CHANGE WITHOUT NOTICE

DEVICE FEATURES & CONTROLS

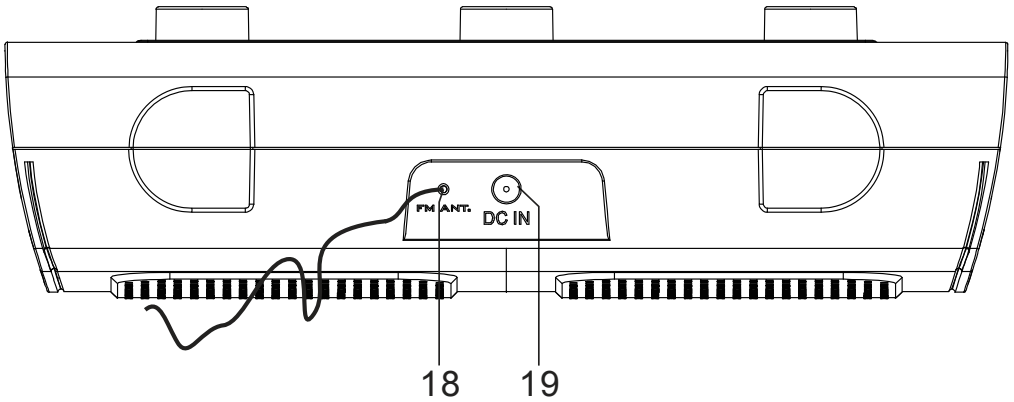
Front View









Bottom View



Rear View



1. MICROPHONES
2. PM INDICATOR
3. LCD DISPLAY
4. BT INDICATOR
5.  /SOURCE BUTTON
6. VOL - BUTTON
7. VOL + BUTTON
8. TIMER/LIGHT BUTTON
9. TIMER INDICATOR
10. FM INDICATOR
11.  /SCAN/PAIR  BUTTON
12.  SKIP - BUTTON
13.  SKIP + BUTTON
14. CLK/PRESET/ BUTTON
15. LED LAMP
16. SPEAKER (L)
17. SPEAKER (R)
18. FM WIRING ANTENNA
19. DC INPUT JACK

CONNECTING POWER

AC POWER

WARNING: Before connecting to the power supply, ensure that the supply corresponds to the information on the rating label located at the back of the apparatus.

NOTE: Only use the supplied power adapter.

1. Connect the AC end of AC/DC adapter into an AC wall outlet.
2. Insert the DC plug of the AC adapter cord into the DC IN JACK at the back of the unit.

