

SPECIFICATION



F45A Antenna

Product approval sheet

| | | | |
|----------|-------------|--------|-------------|
| Customer | | Band | WIFI2.4/5.8 |
| Project | <u>F45A</u> | Colour | Black |

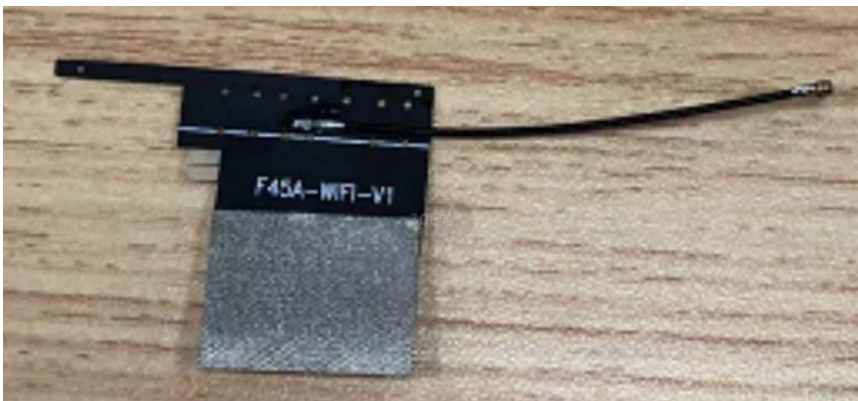
Customer check:

Reach requirement of customer: OK NG

| | |
|---------------------------------------|------------|
| 1 General description | 2 |
| 1.1 Antenna appearing diagram..... | 错误! 未定义书签。 |
| 1.2 Matching circuits | 4 |
| 1.3 Antenna PORT | 7 |
| 1.4 Antenna location..... | 7 |
| 1.5 RF port..... | 8 |
| 2 Electrical performance | 8 |
| 2.1 VSWR..... | 8 |
| 2.2 Efficiency &Gain | 13 |
| 2.3 3D Patternt | 32 |

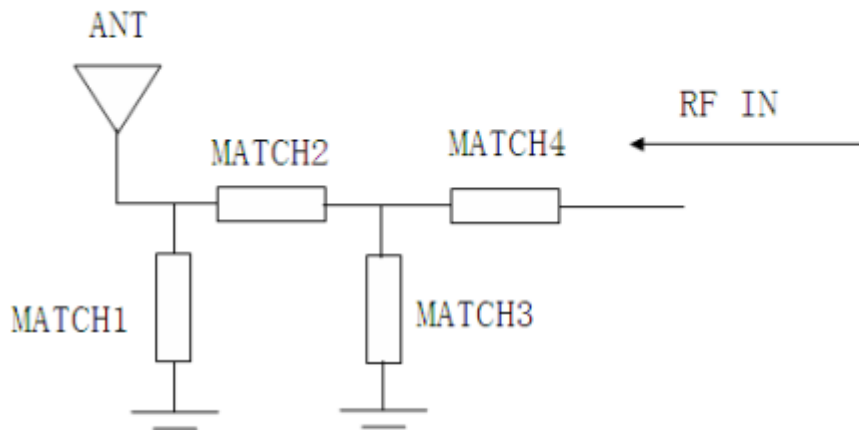
1 General description

1.1 Antenna appearing diagram



1.2 Antenna Matching circuits

3、天线匹配电路



| 位号 | MATCH1 | MATCH2 | MATCH3 | MATCH4 |
|----|--------|--------|--------|--------|
| 值 | NC | 0Ω | NC | 0Ω |

1.3 Antenna PORT

1.4 Antenna location

1.5 RF port

2 Electrical performance

2.1 VSWR

NC

2.3 3DAntenna data

| 测试频段 | WIFI B | | | WIFI A | | |
|------|--------|-----|-------|--------|-------|-----|
| CH | 1 | 7 | 13 | 147 | 157 | 165 |
| TRP | 7.2 | 8.1 | 7.55 | 8.62 | 8.8 | 8.7 |
| TIS | -76.5 | -77 | -76.8 | -67.2 | -67.4 | -67 |

2.4 MAntenna gain: (dBi)

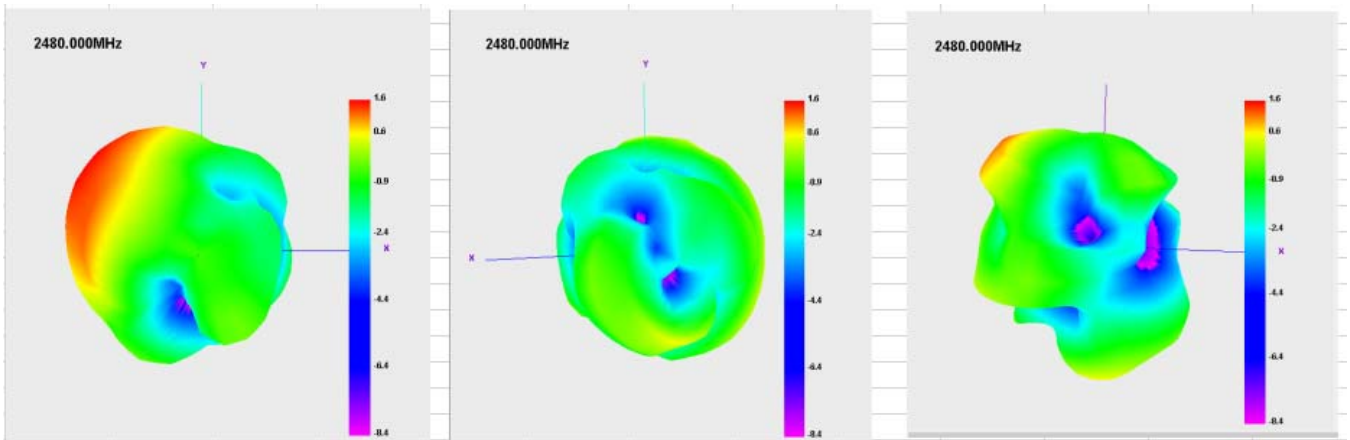
| | | | | | |
|--------|-----|---|--------|----|------|
| wifi a | 36 | 1 | wifi B | 1 | -0.5 |
| | 149 | 1 | | 7 | -0.5 |
| | 165 | 1 | | 13 | -0.5 |

2.5 3D_Graphs

2.4G H plane

E1 plane

E2 plane



5 G H plane

E1 plane

E2 plane

Confidential Information

