



# Huizhou Tongyinhai Precision Electronics Co., Ltd

## Supplier Sample Confirmation Letter

Supplier Name: Guangdong Dingzhi Electronic Technology Co., Ltd

Tongyinhai Part number: 42.13.0005.00

Tongyinhai Name+Color: Magnetic suction mobile power supply A46 wireless charging coil

Sample delivery date: 2024.5.25

Supplier confirmation			
Engineering	research and development	Auditing	ratify
Zhong Jianli			Ma Xiangping

Tongyinhai confirm			
Engineering	research and development	Auditing	ratify
Confirm results: <input type="checkbox"/> Qualified <input type="checkbox"/> Unqualified <input type="checkbox"/> Other			

Supplier: Guangdong Dingzhi Electronic Technology Co., Ltd

Address: 1st Floor, No. 1231 Yingbin Avenue, Longmen County, Huizhou City, Guangdong Province

TEL: 13147097490

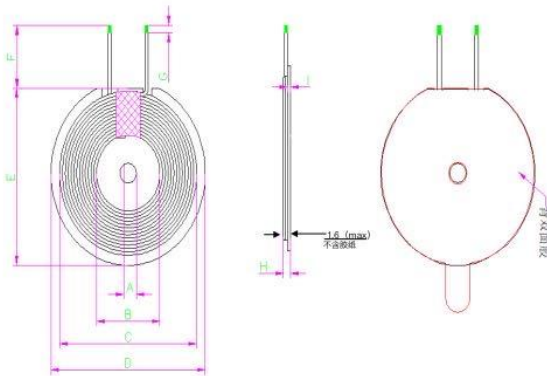
FAX: \_\_\_\_\_

Product specification sheet			
Customer Name	Tongyinhai	Customer part number	42.13.0005.00
Top intelligence part number	TX-DZ42.505.3008-K6.5-L 45 Open double slots	Specification number	

Release/Revision Record			
version	effective date	Change content/reason	approval
01	2024/5/25	New specification release	New specification release
work out	Auditing	ratify	
Zhong Jianli		Ma Xiangping	

Product specification sheet				
Customer Name	Tongyinhai	Customer part number	42.13.0005.00	
Top intelligence part number	TX-DZ42.505.3008-K6.5-L45 开双槽	Specification number	version	01

### ◆、 External dimensions



(unit: mm)	
<b>A</b>	<b>5.2 ±0.5</b>
<b>B</b>	<b>20.0 ±1.0</b>
<b>C</b>	<b>38.5 ±1.5</b>
<b>D</b>	<b>42.5 ±1.0</b>
<b>E</b>	<b>42.2 ±1.0</b>
<b>F</b>	<b>45.0 ±2.0</b>
<b>G</b>	<b>3.0 ±2.0</b>
<b>H</b>	<b>1.85 ±0.3</b>
<b>I</b>	<b>0.8 ±0.2 (Magnetic disc)</b>

Wire diameter: 0.08 * 24P * 2P enameled wire
(2) Number of coils wound: 10TS
(3) Does the starting and ending lines intersect: Yes
(4) Coil pack 4mm wide high-temperature tape
(5) The coil and magnetic sheet need to be pasted and centered
(6) Magnetic backing 42 round white glue

◆、Electrical characteristics:					
parameter	specifications			Test conditions	Testing instruments
L0	6.5	±10%	μH	100KHz/1V	■TH1816B
Q	>30		min	100KHz/1V	■TH1816B
DCR	<85		mΩ	@ 25°C	■CH-502BC

◆、Temperature level:	
Operating temperature	-40°C~ 125°C

◆、BOM:				
Number	Product Name	Material specification	supplier	Remarks
1	Magnetic disc	42.5*5.3*0.8T		PC40Manganese zinc
2	Copper wire	0.08*24*2P		Enameled wire
3	High temperature tape	4MM		Environmentally friendly tape
4	glue	42circular White glue		Environmentally friendly adhesive paper
5	tin	107H		Qiandao Environmental Protection Tin
6	glue	Yellow gum		Environmentally friendly adhesive

work out	Auditing	ratify
Zhong Jianli		Ma Xiangping

Guangdong Dingzhi Electronic Technology Co., Ltd

Factory address: 1st floor, No. 1231 Yingbin Avenue, Longmen County, Huizhou City, Guangdong Province

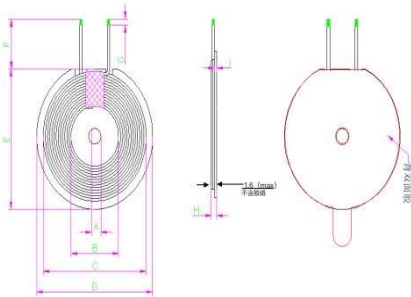
# Inspection report

Customer Name: Huizhou Tongyinhai Precision Electronics Co., Ltd

Customer part number: 42.13.0005.00

Coil specifications: TX-DZ42.505.3008-K6.5-L45

Magnetic disc specifications: 42.5\*5.3\*0.8

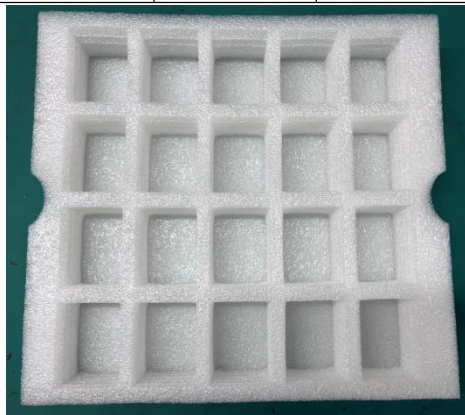


(单位: mm)	
A	5.2 ±0.5
B	20.0 ±1.0
C	39.0 ±1.5
D	42.5 ±1.0
E	42.2 ±1.0
F	45.0 ±2.0
G	3.0 ±2.0
H	1.85 ±0.3
I	0.8 ±0.2<Magnetic disk)
(1)Wire diameter: 0.08 * 24P * 2P enameled wire	
(2) Number of coils wound: 10TS	
(3) Does the starting and ending lines intersect: Yes	
(4) Coil pack 4mm wide high-temperature tape	
(5) The coil and magnetic sheet need to be pasted and centered	
(6) Magnetic backing 42 round white glue	

Dimensional measurement data unit: mm							
Position	standard	tolerance	NO. 1	NO. 2	NO. 3	NO. 4	NO. 5
C	39.0	±1.5	38.4	38.7	39.1	38.9	38.6
D	42.8	±1.0	42.4	42.2	41.9	42.1	42.3
F	45.0	±2.0	45.8	45.7	46.1	44.9	44.8
H	1.85	±0.3	1.81	1.89	1.9	1.86	1.85
OK/NG		OK	OK	OK	OK	OK	OK

### Electrical test data

(Inductance) $\mu$ H (Test Equipment): JK2517B; @100kHz,1.0Vrms						
Ls	<b>6.5±10%</b>	6.6	6.5	6.5	6.7	6.7
OK/NG		OK	OK	OK	OK	OK
Q 值 (Test Equipment): JK2517B; @100kHz,1.0Vrms						
Q	>30	42.3	45.5	46.9	44.2	43.6
OK/NG		OK	OK	OK	OK	OK
Appearance (coil appearance, magnetic disc, magnet, glue)						
OK/NG		OK	OK	OK	OK	OK



Inner box size (cm) 30\*24.5\*5.5

Outer box size (cm) 32.5\*25.5\*25.5

Box quantity 22\*20=440pcs

Packing quantity 440\*4=1760pcs

The above pictures are for reference only, please refer to the actual packaging for details!