

# Products acknowledge the book

specification number	HG20240126001
effective date	

customer name

product type

Great material number

Customer Part Number

authorized strength

audit

ratify

PENGJIANJI

## Anfu Honggui Electronics Co., LTD

Customer approval

date

ratify

audit

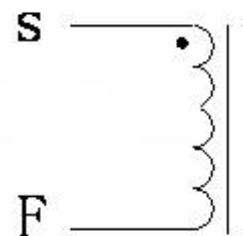
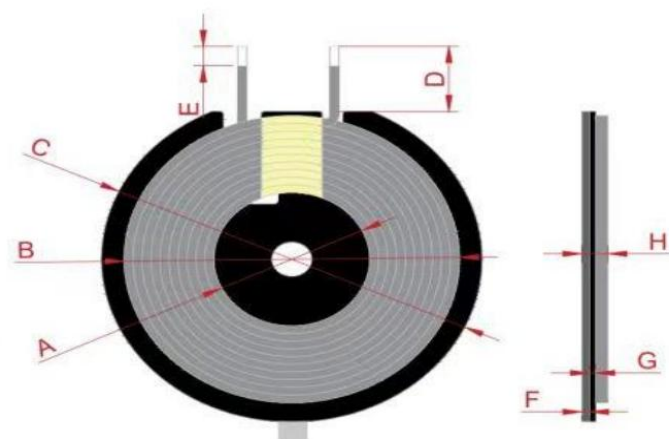
recheck

examine

# SPECIFICATION FOR APPROVAL

## 1. MECHANICAL DIMENSION (UNIT:mm)

## 2. SCHEMATICS:



1. Coil attached magnetic sheet, Grooving.
2. Outlet position of the coil Adhesive paper 1-2Ts;
3. EVA cotton should be affixed to the bottom of the magnetic separator

C=41±1.0	A=20±2	E=2±1	H=2.5MAX
----------	--------	-------	----------

## 3. WINDING:

STEP	START-FINISH	WIRE TYPE	TURNS	TAPE	REMARK
N1	S-F	Hot air self-adhesive wire Ø 0.08*24P 2UEW	10TS (Ref)		

## 4. ELECTRICAL SPECIFICATION:

ITEM	L	DCR	L	Q value	HI-POT
TEST	Coil plus magnetic plate	S-F	Individual coil		
CON	100KHz, 0.25V	AT 25°C	100KHz, 0.25V		
SPEC	6.3uH±10%	100mΩ Max	3.8uH±15%		

## 5. BILF OF MATERIAL:

NO.	ITEM	MATERIAL SPECIFICATION	MANUFACTURER	SGS NO.
1	Hot air self-adhesive wire	0.08*24P base	NANJINGJINNINGCO,LTD	
2	tin rod	Lead-free tin strip	QIAODO	
3	magnetic sheet	Ø41.5Manganese zinc hard magnetic sheet	TAIYI CO.,LTD	
4	glue	all-purpose adhesive 9999	LIANCHENG CO.,LTD	
5	gummed paper	6mm high-temperature adhesive tape	CUDAK CO.,LTD	
6	gum	EVA Ø41*0.5	CUDAK CO.,LTD	

<b>Anfu Honggui Electronics Co., LTD</b>	PART NO	
	TITLE	G41.5 slotting+gum stock Lead length 20mm
DRAWN BY	CHECKED BY	APPROVED BY

PENGJIANJI		
------------	--	--

# SPECIFICATION FOR APPROVAL

6. SAMPLE TEST DATA									
6. 1DIMENSION TEST (UNIT:mm)									
TEST ITEM	C	D	E	H					
SPEC	41.5±1.0	20±2	2±1	2.5MAX					
1	41.5	21	2.50	2.35					
2	41.2	22	2.60	2.45					
3	41.6	19.5	2.70	2.45					
4	41.3	19.8	2.80	2.40					
5	41.5	21.5	2.00	2.40					
6									
7									
8									
9									
10									
MAX	41.60	22.00	2.80	2.45					
MIN	41.20	19.50	2.00	2.35					
AVERAGE	41.42	20.76	2.52	2.41					
6. 2ELECTRICAL TEST									
TEST ITEM	L		DCR	IDC		Q	HI-POT		
	S-F		S-F						
TEST COND	100KHz/0.25v		AT 25°C						
SPEC	6.3uH		60mΩ						
	±10%		(Max)						
1	6.32		38.60						
2	6.35		38.40						
3	6.34		39.00						
4	6.48		39.60						
5	6.45		38.90						
6									
7									
8									
9									
10									
MAX	6.48		39.60						
MIN	6.32		38.40						
AVERAGE	6.39		38.90						
Anfu Honggui Electronics Co., LTD					PART NO		G41.5 slotting+gum stock Lead length 20mm		
					TITLE				
DRAWN BY			CHECKED BY			APPROVED BY			
PENGJIANJI									