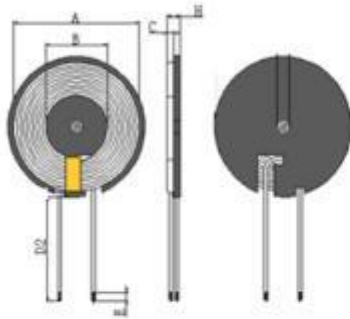


JASKEY ELECTRONICS CO.,LTD

Address:Rm 2102 B & C, 21/F Nan Fung Centre,264-298 Castle Peak Road,Tsuen Wan,
N. T.,Hong Kong

SPECIFICATION FOR APPROVAL

1.MECHANICAL DIMENSION (UNIT:mm)



A	B	C	D2	E	H				I
43.5±0.5	20.5±0.5	0.8±0.05	10±3	1.5±2	2.8MAX				

3.WINDING:

ST EP	START-FINISH	WIRE TYPE	TURNS	TAPE	REMARK
N1	S-F	热风线∅0.08*80*1P UEW	10TS (Ref)		

4. ELECTRICAL SPECIFICATION:

ITEM	L	DCR	Q值	HI-POT
TES T	线圈加磁片	S-F		
CON	100KHz, 0.25V	AT 25℃		
SPEC	6.4uH±10%	85mΩ Max	45	

5.BILF OF MATERIAL :

NO.	ITEM	MATERIAL SPECIFICATION	MANUFACTURER	SGS NO.
1	热风线0.08*24*2股	热风线0.08*80*1组	NANJINGJINNINGCO,LTD	
2	无铅锡条	无铅锡条	QIAODO	
3	磁片	∅43.5*0.8磁片硬磁片开L槽	TAIYI CO.,LTD	
4	胶水	黄胶9999	LIANCHENG CO.,LTD	
5	高温胶纸	8mm宽高温胶纸	CUDAK CO.,LTD	
6	背胶	∅41.8*0.1	CUDAK CO.,LTD	
7				

HRSW ELECTRONICS CO.,LTD		PART NO	
		TITLE	∅43.5开槽+背胶 10mm
DRAWN BY	CHECKED BY	APPROVED BY	
何伟华	韦小红	韦小红	

Ant.	Brand	Model Name	Antenna Type	Connector	Gain (dBi)	NOTE
1	N/A	N/A	Inductive Loop Antenna	N/A	1.0dBi	Phone Antenna