

# WG03-6 Instruction

## 1. Product Overview

Product Name: Wireless Charger

Product Model No.: WG03-6

Used Location: used on the furniture (sofa or chair etc.)

## 2. Environment requirement

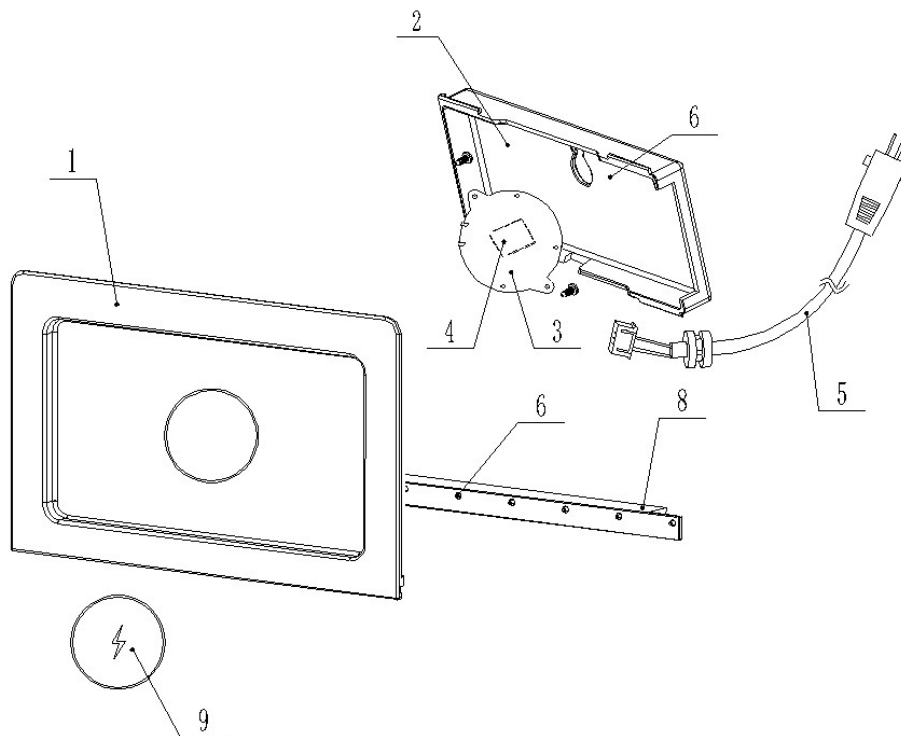
Operation temperature: 0°C~+40°C.

Storage temperature: -10°C~65°C.

Operating Humidity: 10%~80%RH, non-condensing.

Storage Humidity: 10%~85%RH, non-condensing.

## 3. Directions for Operation



- Input rating: DC 29V
- Working Frequency: 110K-148K
- Max wireless output rating: 15W
- Charging distance: 3-6mm

3.1 Please connect with the power supply

3.2 Put the charging equipment on the wireless charger label indicating area.

3.3 When the charging equipment complete, can be taken away.

3.4 In the processing of charging can be free to pick up, answer the phone, freeing discharge or charge.

#### **4. Matters needing attention:**

4.1 The function will only work normally in proper working power conditions.

4.2 If problems are identified, they must be treated by professional personnel.

4.3 Please connect with power supply(input 100-240V AC, output 29VDC)

#### **5. Additional attention for user:**

5.1 This equipment has been tested and found to comply with the limits for a Class B digital device, pursuant to part 15 of the FCC Rules. These limits are designed to provide reasonable protection against harmful interference in a residential installation. This equipment generates, uses and can radiate radio frequency energy and, if not installed and used in accordance with the instructions, may cause harmful interference to radio communications. However, there is no guarantee that interference will not occur in a particular installation. If this equipment does cause harmful interference to radio or television reception, which can be determined by turning the equipment off and on, the user is encouraged to try to correct the interference by one or more of the following measures:

—Reorient or relocate the receiving antenna.

—Increase the separation between the equipment and receiver.

—Connect the equipment into an outlet on a circuit different from that to which the receiver is connected.

—Consult the dealer or an experienced radio/ TV technician for help.

5.2 This device complies with part 15 of the FCC Rules. Operation is subject to the following two conditions: (1) This device may not cause harmful interference, and (2) this device must accept any interference received, including interference that may cause undesired operation.

5.3 For Intentional and unintentional radiators the manual shall caution the user and manufacturer that changes or modifications not expressly approved by the party responsible for compliance could void the users authority to operate the equipment.