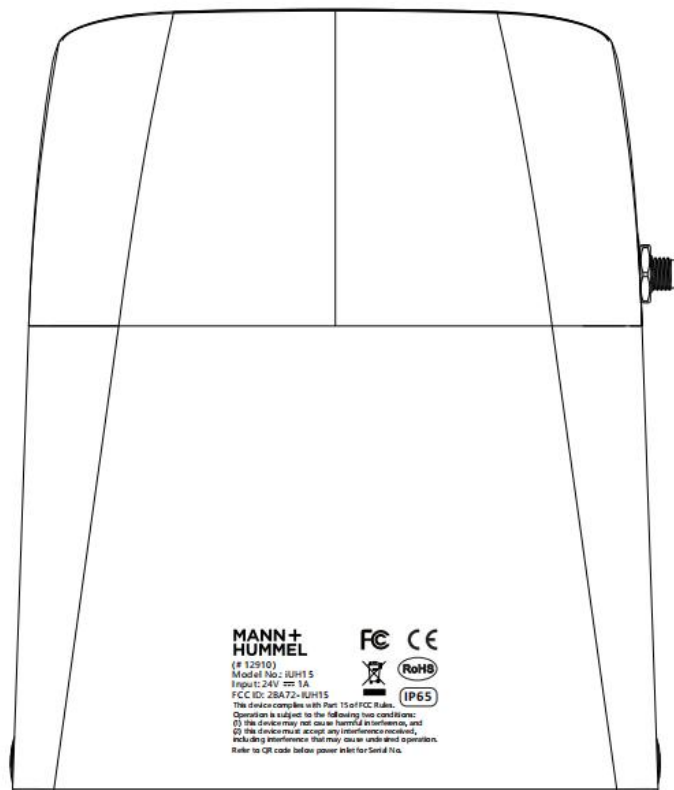


MANN+ HUMMEL

Installation and User Instructions

Seccua iUH15



DISCLAIMER

Seccua Holding AG makes no representations or warranties with respect to this manual and, to the maximum extent permitted by law, expressly limits its liability for breach of any warranty that may be implied to the replacement of this manual with another. Furthermore, Seccua reserves the right to revise this publication at any time without incurring an obligation to notify any person of the revision. The information provided in this documentation contains general descriptions and/or technical characteristics of the performance of the products contained herein. This documentation is not intended as a substitute for and is not to be used for determining suitability or reliability of these products for specific user applications. It is the duty of any such user or integrator to perform the appropriate and complete risk analysis, evaluation and testing of the products with respect to the relevant specific application or use thereof. Neither Seccua nor any of its affiliates or subsidiaries shall be responsible or liable for misuse of the information that is contained herein. If you have any suggestions for improvements or amendments or have found errors in this publication, please notify us. All pertinent state, regional, and local safety regulations must be observed when installing and using this product. For reasons of safety and to help ensure compliance with documented system data, only the manufacturer or authorized Seccua Partners shall perform repairs to components.

Intended use

Seccua iUH15 is expected to be used to filter well water or municipal water

product feature

Seccua iot control module provides wireless connectivity to the cloud. With external pressure sensors and flow sensors, the condition of the filters can be monitored and flushed to prevent the entry of germs, turbidity and rust from the central water supply, as well as to prevent the growth of pathogens in the pipes.

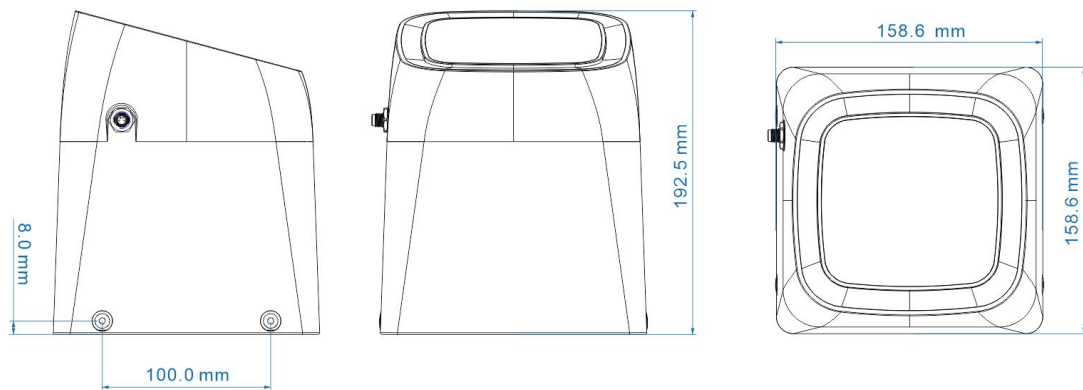
⚠ WARNING

Any use other than those described in this specification shall be deemed as non-intended use. Seccua will not accept any liability for damage and injury resulting from non-compliance with the use of iUH15.

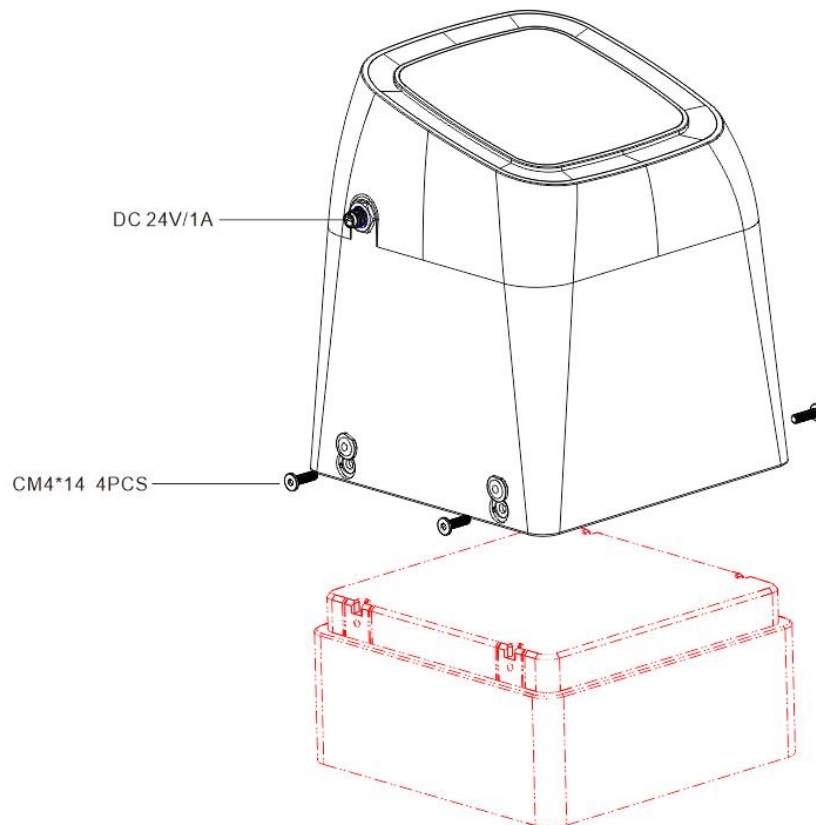
1. Parameter

product name	UH15
product model	iUH15
manufacturer	MANN+HUMMEL
import	24V=1A

2. Installation instructions



product size



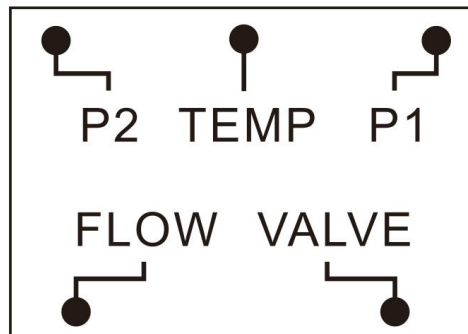
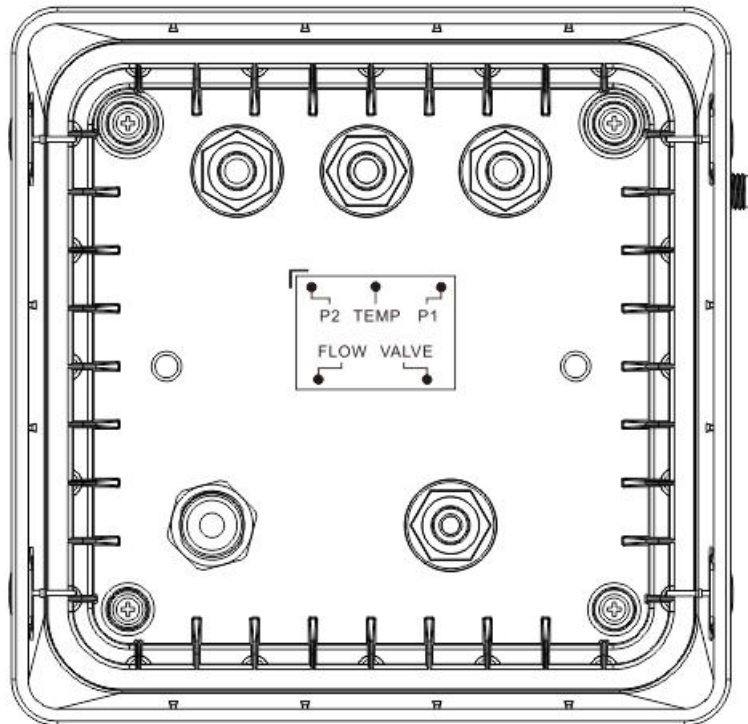
Installation indication

Note: The product needs to be fixed to the main body of the relevant flow path with screws, and control the relevant sensor to work, as shown in the figure above

⚠️ WARNING

- Always follow the instructions and safety precautions in this manual. Failure to follow the instructions can result in serious injury or death.
- Do not change the power connecting plug or the power supply cable.
- Make sure the power supply cable is never in water.
- Unplug the iUH15 before installation or maintenance.
- Do not modify or open the product.

3. Sensor description



- P2:Analog signal input.
- TEMP:Analog signal input.

- P1:Analog signal input.
- FLOW:digital signal input.
- VALVE:PWM output

Note:The above sensor interfaces can be connected with flowmeters, pressure sensors, solenoid valves, temperature sensors and other sensors to provide the required parameters for users, which can be changed according to the requirements or use scenarios

⚠ WARNING

FCC regulatory conformance:

This device complies with Part 15 of the FCC Rules. Operation is subject to the following two conditions:

- (1) this device may not cause harmful interference;
- (2) this device must accept any interference received, including interference that may cause undesired operation.

NOTE

This equipment has been tested and found to comply with the limits for a Class B digital device, pursuant to part 15 of the FCC Rules. These limits are designed to provide reasonable protection against harmful interference in a residential installation.

This equipment generates uses and can radiate radio frequency energy and, if not installed and used in accordance with the instructions, may cause harmful interference to radio communications. However, there is no guarantee that interference will not occur in a particular installation. If this equipment does cause harmful interference to radio or television reception, which can be determined by turning the equipment off and on, the user is encouraged to try to correct the interference by one or more of the following measures:

- Reorient or relocate the receiving antenna
- Increase the separation between the equipment and receiver
- Connect the equipment into an outlet on a circuit different from that t which the receiver is connected.
- Consult the dealer or an experienced radio/TV technician for help.

NOTE

The manufacturer is not responsible for any radio or TV interference caused by unauthorized modifications to this equipment. Such modifications could void the user's authority to operate the equipment.

RF Exposure

This equipment complies with FCC radiation exposure limits set forth for an uncontrolled environment. This equipment should be installed and operated with minimum distance of

20 cm between the radiator and your body. This transmitter must not be co-located or operating in conjunction with any other antenna or transmitter.

Disposal



Make sure that the iUH15 and its filter modules are disposed of in compliance with local legislation, regulations, instructions and precautions concerning health, safety and environment. Make sure to dispose or recycle the following materials in an environmentally-friendly manner:

- All plastic parts marked with a recognizable code for recycling.
 - The battery is located on the main printed circuit board in the control unit.
 - The printed circuit board and attachments. These parts must be disposed of as electrical and electronic waste. The symbol on the product, the accessories or packaging indicates that this device must not be treated as unsorted municipal waste, but must be collected separately.
- Dispose of the device via a collection point for the recycling of waste electrical and electronic equipment if you live within the EU and in other European countries that operate separate collection devices for waste electrical and electronic equipment. By disposing of the device in the proper manner, you help to avoid possible hazards for the environment and public health that could otherwise be caused by improper treatment of waste equipment. The recycling of materials contributes to the conservation of natural resources.