

Admission

Customer name: Hancai electronics

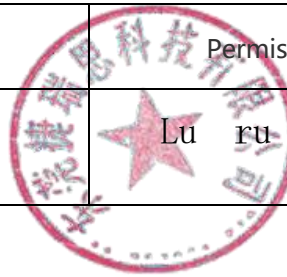
Customer data: _____

Our model number: _____

Sample delivery date: 2023 . 5. 20

Supply side: Dongguan Teresi Technology Co., LTD

Draw up	Audit	Permission granted
Lu lin	Deng yan gui g	Lu ru sheng



客户承认: Client acknowledges:

Qualified	Disqualified	Admit it
Notes		

Dongguan Jerice Technology Co. , Ltd.

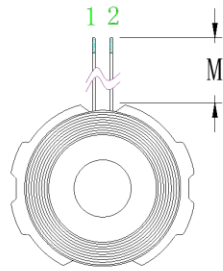
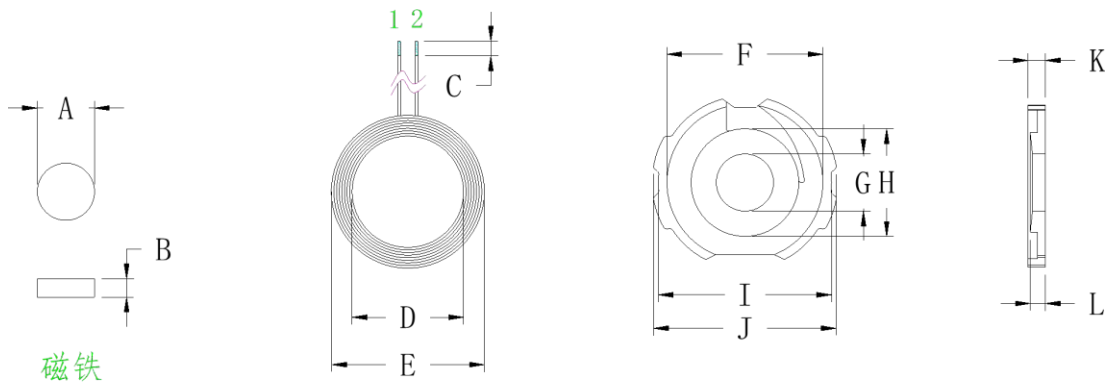
Tel: _____

Fax: 86+13632701380

Address: 152 Wanchang Road Section, Taigongling Village, Dalingshan Town,
Dongguan City

Customer name	Customer data	Our model number	Version	Date
<u>Hancai electronics</u>		RC-G25-7.8UH-3200GS-8MM	A0	2023.5.20

一、 Floor plan: unit: MM



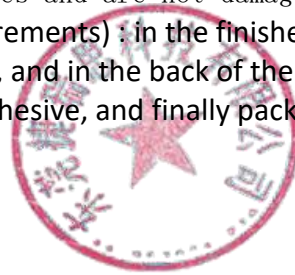
A	7.65 ± 0.05
B	2.0 ± 0.05
C	2 ± 1
D	14 ± 0.2
E	20.7 ± 0.3
F	21 ± 0.2
G	7.7 ± 0.05
H	13.5 ± 0.2
I	23.5 ± 0.3
J	25 ± 0.2
K	2.5 ± 0.1
L	2.25 ± 0.1 中柱高度
M	8 ± 1

二、 Product parameters:

Feet	Line diameter	Number of turns	Notes
1- 2	0.08*28	14	Hot Air Strand

三、 Technical Requirements:

1. Fix the head and tail of the copper wire to prevent loose or broken copper wire.
2. According to customer requirements to cut the head of the excess copper wire, tinned, tinned depth of 1 ~ 3mm.
3. Stick some white glue on the soft magnetic sheet and stick on the copper coil to ensure the clean and tidy surface of the product in the process.
4. Soft magnetic flaky objects have round holes and are not damaged.
5. Additional process (according to customer requirements) : in the finished product in the middle of the round hole loaded with 7.65 x 2.0 mm magnet, and in the back of the finished product and then paste a diameter of 14 mm round double-sided adhesive, and finally packaging.



四、 Electrical parameter:

1. Inductance value,

$$\text{PIN 1} - \text{2} = 7.8\mu\text{H} \pm 0.2\mu\text{H}$$

$$\text{Q value} \geq 35$$

The above inductance values are based on chuanhua 1062A instrument, using 10KHZ/0.3 vrms as the standard or equivalent instrument. The Q value is based on chuanhua 1062A instrument and 100KHZ/0.3 vrms or equivalent instrument

五、材料清单： Bill of materials:

序号NO	名称Name	材质Material Quality	供应商Suppliers	备注Notes
1	热风绞合线 Hot Air Strand	0.08X28	维汉或等同 Uyghur or equivalent	
2	磁片 Disk	G25 软基材 Soft substrate	天通或等同 TX or equivalent	
3	锡 Tin	高温环保 High temperature environmental protection	千岛或等同Thond Island or equivalent	
4	白胶 White glue	BY882	宝月或等同 Treasure month or equivalent	
5	强磁 Strong magnetism	强度 7.65 * 2.0 strength 3200GS	联胜或等同 Win-win or equal	
6	双面胶 Double-sided glue	直径 14mmThe diameter is 14 mm	鸿辉或同等 Hung Fai or equivalent	