

100mm

80mm

Spezifikationen:

Modell: E8
Produktgröße: 116mm*72mm*119.8mm
Eingang: 12V/3A
*Nur Android Geräte Unterstützen
*Bitte verwenden sie den adapter, den wir zum laden zur verfügung stellen

Anmerkung:

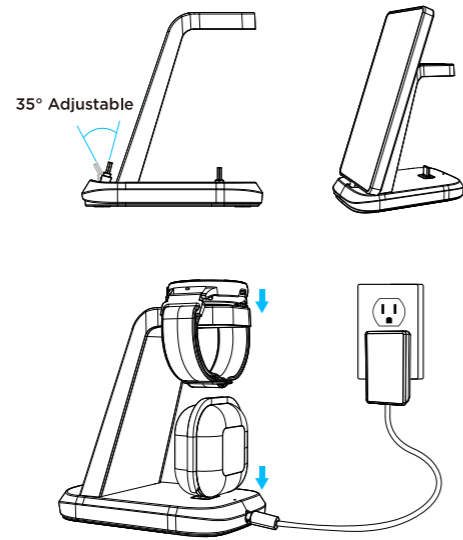
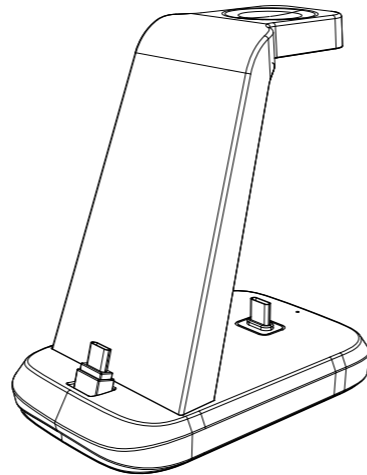
1. Bitte stellen Sie keine Metallobjekte in den drahtlosen Ladebereich der Galaxienuhr, da dies die Aufladung der Uhr beeinträchtigen kann
2. Achten Sie beim Aufladen darauf, dass Sie die Ladeanschlüsse Ihres Telefons und Ihrer Kopfhörer einsetzen.
3. Unterstützen Sie nur Android-Telefon und Bluetooth-Headset mit USB-C-Ladeanschluss
4. Unterstützt nur Samsung Galaxy Watch (nicht für Samsung Galaxy 46mm bis 42mm und Galaxy Gear S3 und S2 bis S).

Kundenerlebnis und Zufriedenheit sind unsere obersten Ziele. Wenn Sie irgendwelche Probleme mit unseren Produkten haben, zögern Sie nicht, uns zu kontaktieren durch

vcvs@support-warranty.com

FC CE RoHS   
HERGESTELLT IN CHINA

**3-in-1 Charging Station
Instruction manual**



*Only support Android devices

Specifications:

Model: E8
Product size: 116mm * 72mm * 119.8mm
Input: 12V/3A
*Please use the adapter we provide for charging

Note:

1. Please do not place metal objects in the wireless charging area of the galaxy watch, as this may affect the charging of the watch.
2. When charging, be sure to insert the charging ports of your phone and headphones into place.
3. Only support Android phone and bluetooth headset with USB C charging port.
4. Only support Samsung Galaxy Watch (Not for Samsung galaxy 46mm/42mm and galaxy gear S3/S2/S).

Customers shopping experience and satisfaction are our ultimate goals. If you have any problem with our products, do not hesitate to contact us by

vcvs@support-warranty.com

FC CE RoHS   
MADE IN CHINA

FCC Warning

This device complies with part 15 of the FCC Rules. Operation is subject to the following two conditions:

- (1) This device may not cause harmful interference, and
- (2) this device must accept any interference received, including interference that may cause undesired operation.

Any Changes or modifications not expressly approved by the party responsible for compliance could void the user's authority to operate the equipment.

Note: This equipment has been tested and found to comply with the limits for a Class B digital device, pursuant to part 15 of the FCC Rules. These limits are designed to provide reasonable protection against harmful interference in a residential installation. This equipment generates uses and can radiate radio frequency energy and, if not installed and used in accordance with the instructions, may cause harmful interference to radio communications. However, there is no guarantee that interference will not occur in a particular installation. If this equipment does cause harmful interference to radio or television reception, which can be determined by turning the equipment off and on, the user is encouraged to try to correct the interference by one or more of the following measures:

- Reorient or relocate the receiving antenna.
- Increase the separation between the equipment and receiver.
- Connect the equipment into an outlet on a circuit different from that to which the receiver is connected.
- Consult the dealer or an experienced radio/TV technician for help.

This equipment complies with FCC radiation exposure limits set forth for an uncontrolled environment. This equipment should be installed and operated with minimum distance 20cm between the radiator & your body.