

Antenna report

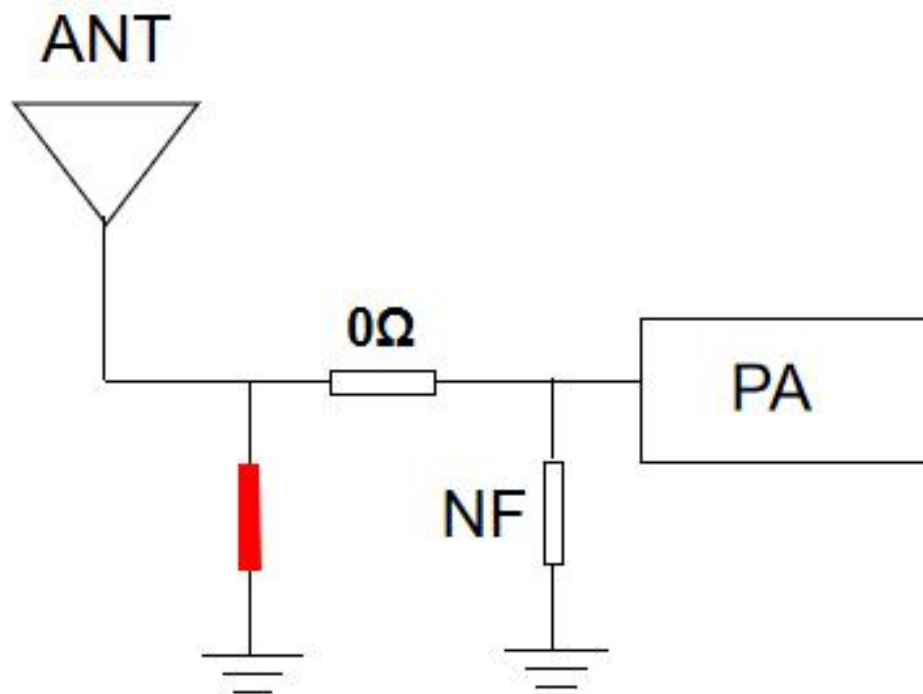
Antenna model : D22

Manufacturer:

Shenzhen Qianmu Communication Technology Co.,Ltd.

Manufacturer's address:No. 425, 443, 4th Floor, Building A, Huafeng Zhigu Hangcheng High tech Industrial Park, Hangcheng Community, Bao'an District, Shenzhen

Matching circuit - Bluetooth antenna



FETUKEJI

Frequency ID	1	2	3	4	5	6	7	8	9	10	11
Frequency (MHz)	2400.0	2410.0	2420.0	2430.0	2440.0	2450.0	2460.0	2470.0	2480.0	2490.0	2500.0
Point Values											
Ant. Port Input Pwr. (dBm)	0.00	0.00	0.00	0.00	0.00	0.00	0.00	0.00	0.00	0.00	0.00
Tot. Rad. Pwr. (dBm)	-9.64	-9.72	-9.68	-9.50	-9.48	-9.18	-9.25	-9.46	-9.43	-9.29	-9.22
Peak EIRP (dBm)	-4.84	-4.91	-4.94	-4.91	-4.91	-4.65	-4.82	-5.13	-5.11	-4.81	-4.66
Directivity (dBi)	4.80	4.81	4.74	4.59	4.56	4.52	4.44	4.33	4.32	4.47	4.56
Efficiency (dB)	-9.64	-9.72	-9.68	-9.50	-9.48	-9.18	-9.25	-9.46	-9.43	-9.29	-9.22
Efficiency (%)	10.90	10.70	10.80	11.20	11.30	12.10	11.90	11.30	11.40	11.80	12.00
Gain (dBi)	-4.84	-4.91	-4.94	-4.91	-4.91	-4.65	-4.82	-5.13	-5.11	-4.81	-4.66
NHPRP \pm Pi/4 (dBm)	-11.35	-11.42	-11.40	-11.23	-11.20	-10.88	-10.92	-11.09	-11.03	-10.85	-10.76
NHPRP \pm Pi/6 (dBm)	-12.97	-13.04	-13.02	-12.85	-12.82	-12.50	-12.56	-12.75	-12.71	-12.54	-12.43
NHPRP \pm Pi/8 (dBm)	-14.13	-14.20	-14.19	-14.01	-13.99	-13.67	-13.74	-13.93	-13.90	-13.72	-13.60
Upper Hem. PRP (dBm)	-13.41	-13.47	-13.46	-13.32	-13.33	-13.06	-13.16	-13.39	-13.39	-13.28	-13.24
Lower Hem. PRP (dBm)	-12.01	-12.10	-12.05	-11.83	-11.78	-11.46	-11.52	-11.71	-11.67	-11.50	-11.42
Upper Hem. PRP (%)	4.56	4.50	4.51	4.66	4.65	4.94	4.83	4.58	4.58	4.70	4.75
Lower Hem. PRP (%)	6.29	6.17	6.24	6.55	6.63	7.15	7.05	6.75	6.81	7.09	7.21

