

# BD+GPS Tracker Terminal

## Quick

## Installation

## User

## Manual

(Version V2.1)

Thank you very much for using GPS TRACKER, the user manual will guide how to operate this product, please read it carefully before using it in order to get the correct method of operation. If the appearance, color and accessories of this product are modified, please refer to the actual product. The manufacturer is not liable for faults and omissions which in the user manual.

### **1、 Product functions & Parameters**

#### **1.1 Product functions**

Location inquiry, geo-fence, power-off alarm, vibration alarm, movement alarm, over-speed alarm, historical route playback, parking report, remote power/oil off.

#### **1.2 Parameters**

- QUECTEL EC25-A module (different modules for different countries, the following are the frequency bands for EC25-A, different countries with different modules and frequency)

4G:LTE FDD:B2/B4/B12

3G :WCDMA: B2/B4/B5

- Wide voltage input range: 9 -75V;

- Location time: average warm start: ≤3sec(open sky)  
Average cold start: ≤35sec(open sky)
- Device dimensions: 99mm × 52mm × 17mm;
- Location accuracy: ≤10 meters;
- Working Temp: -20°C - 75°C

**PLEASE NOTE: Install and use this product under the voltage input range, if illegal installation, the user should take the responsibility themselves if any damage happened!**

## 2、 Product accessories and LED light status

### 2.1 Product accessories:

Standard: the device/ charging cable / quick installation user manual / double-sided stickers

Optional: micro-phone, SOS button, relay

### 2.2 Device LED light status

#### 2.2.1 Red LED (Power supply/working)

Light status	Meaning
light	Working normal
off	Power off

#### 2.2.2 Yellow LED (LTE signal)

Light status	Meaning
Quick flash 1 time within 2 seconds	LTE initialization
light	GPRS normal communication/online
off	LTE sleep/power off

#### 2.2.3 Blue LED (GPS signal)

Light status	Meaning
Quick flash 1 time within 2 seconds	GPS signal searching
light	GPS location finished
off	GPS sleep/power off

## 3、 Installation instructions

### 3.1 Preparation before installation:

1, Open the box and check whether the device and the accessories are complete, otherwise please contact your dealer.

2, SIM card selection, the device works with standard SIM card, and support full Netcom band.

3, SIM card installation, there is a small back cover on one side of the terminal, push out the small back cover, pick up the metal cover of the SIM card slot, put the SIM card chip down into the card slot, and cover the metal cover of the card slot.

Note: (1) Before installing or removing the SIM card, please switch off the device;

(2) Should activate the LTE function of the SIM card;

(3) Should activate the caller ID function; (activate or not according to the

functions you chose.)

(4) If your SIM card required you to input the SIM PIN, please refer to your mobile phone user manual to turn off the SIM PIN function.

(5) Please ensure that the SIM card is valid.

### **3.2 Installation**

We recommend a hidden installation, and we suggest that you ask a professional organization designated by the dealer. Please note the following:

- 1, Hidden installation, pay attention to waterproof;
- 2, Do not put together with the launch source, such as reversing radar, anti-theft device or other in-vehicle communication equipment;
- 3, LTE antenna was built-in the device, make sure that the GPS receiving surface (GPS antenna surface without label) is upward (toward the sky), and there is no metal shielding on the top.

#### **Recommended installation location:**

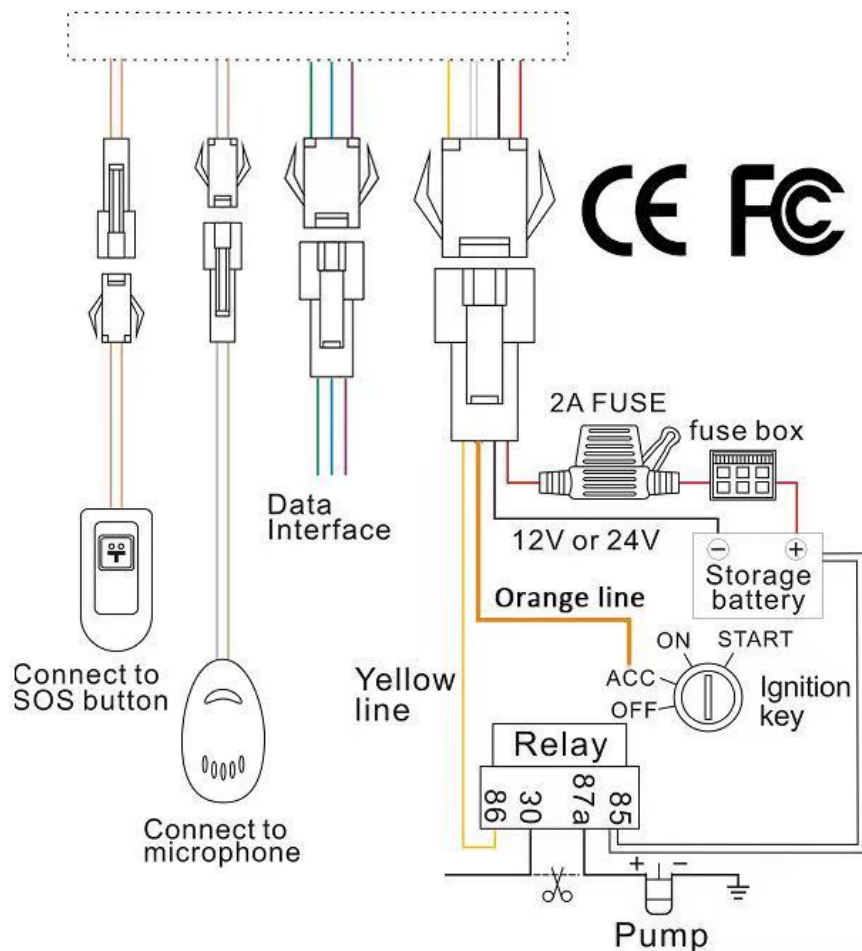
- (1) Inside the decorative frame under the front windshield of the car;
- (2) Areas around the front dashboard of the car (non-metallic material surface);
- (3) Under the decorative plate of the rear windshield of the car;
- (4) Inside the car door or the middle column;
- (5) Inside the instrument panel or under the rear seat of the electric bicycle/motorcycle

## **4、 Wiring precautions**

5.1 Please select the harness provided by the original factory. The red line is the positive and the black is the negative pole of the power supply. When installing the negative pole of the power supply, please choose to ground or connect metal separately. Do not connect with other ground wires.

5.2 ACC line (orange line) connected to the vehicle's ACC switch; if ACC auto anti-theft function is required, make sure to connect the ACC line. The device will enter into the armed state or not according to ACC status. If the ACC line is not connected, the vehicle will enter into the armed state. If so, a vibration alarm will be triggered if vibration when vehicle moving.

5.3 The oil-off control line (yellow line) connected to the thin yellow line of the circuit breaker.



**Proper use of the product: Installation → Switch on → Settings → Register**

**Installation:** When installing, the GPS antenna surface should face the sky. There should be no electromagnetic wave absorber (such as metal or explosion-proof film).

**Switch on:** Insert the SIM card with right direction, connect the cable according to the wiring diagram, and then switch on the device.

**Register platform account:** The registration method varies according to the dealer's platform, please consult the dealer.

**5、SMS commands and instructions:**

Send SMS command from user's SIM card number to the SIM card number which inside the GPS device.

The commands in the following SMS command list are in English input format, and the letters are case-sensitive according to the instruction requirements.

Common inquiry	SMS command format	Device reply
Center number setting	101#13712345678#	OK
Device status query	CXZT	Version, ID, IP, etc...
Chinese address inquiry	123	Chinese address
Latitude and longitude link query	G1234	Google map link
Reset the device	CQ	system reset OK!
Restart GPS	CQGPS	GPS reset OK!

Restore factory settings	FORMAT	OK!
Revise APN	apn123456 cmnet	apn ok
Revise APN user name	apnuser123456 user	apnuser ok
Revise APN password	apnpasswd123456 password	apnpasswd ok
ignition/motion upload interval	freq,123456,20	OK
Flameout upload time interval setting	static,123456,120	OK
Revise Server IP	IP+blank+IP+blank+port Example: IP 106.3.230.234 8185	set IP OK

## 6、App operation

### Login location service platform

Users can login to the global positioning service platform provided by the dealer, to check the location and status of the vehicle, and perform corresponding operations. Please consult your dealer for the service platform website.

Platform login on computer:

For individual users, please login with the device ID number. The ID number is on the device body and also on the package box. When logging in to the platform, please select IEIM/License number to log in. The default password is: 123456

Enterprise users and fleet users please select the username to log in. User name and password are set by dealer, please contact your dealer for distribution!

Android APP download, please scan the QR code on the computer, and if Apple mobile phone, please search the APP name in the App store.

## 7、Trouble shooting

If the device can't be connected to the background server after first time installation, and the background server shows it is offline, please check the installation correct or not.

If you have any questions for the operation, please refer to the following questions and solutions; if you still can't solve the problem, please contact your dealer.

Common Problems	Reasons	Solutions
<b>Weak signal</b>	Test at areas where there are high buildings or underground parking lots, where radio waves cannot be sent or received normally.	Use it at a good signal place
<b>platform shows device not activated after first installation</b>	Main power supply connected correct or not	Do not connect to the main control line of the vehicle
	SIM inserted not correct	Check the SIM card
	LED status	Check if the indicator is blinking or steady
	SIM without GPRS activated or	Please contact carrier to activate

	SIM card out of charge.	LTE or charge
<b>Platform map shows incorrect location</b>	GPS no location	Please go to outdoor place where GPS signal good
	Vehicle did not move after installation	Please drive the vehicle on the road
	ACC connected or not	Connect the device and turn on ACC
<b>Platform shows the main power disconnect</b>	Poor power supply connection	Check whether the power supply line of the device connected correct or not
<b>Platform shows device offline</b>	SIM card out of charge of LTE was canceled	Please check your SIM card
	Weak signal area	Please try again at good signal area

### FCC Statement

This equipment has been tested and found to comply with the limits for a Class B digital device, pursuant to part 15 of the FCC rules. These limits are designed to provide reasonable protection against harmful interference in a residential installation. This equipment generates, uses and can radiate radio frequency energy and, if not installed and used in accordance with the instructions, may cause harmful interference to radio communications.

However, there is no guarantee that interference will not occur in a particular installation. If this equipment does cause harmful interference to radio or television reception, which can be determined by turning the equipment off and on, the user is encouraged to try to correct the interference by one or more of the following measures:

- Reorient or relocate the receiving antenna.
- Increase the separation between the equipment and receiver.
- Connect the equipment into an outlet on a circuit different from that to which the receiver is connected.
- Consult the dealer or an experienced radio/TV technician for help.

To assure continued compliance, any changes or modifications not expressly approved by the party.

Responsible for compliance could void the user's authority to operate this equipment. (Example- use only shielded interface cables when connecting to computer or peripheral devices).

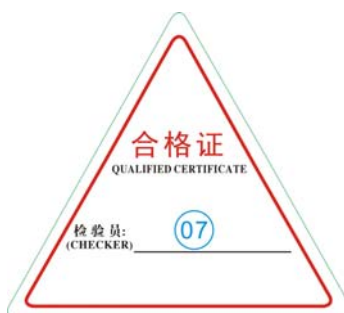
This equipment complies with Part 15 of the FCC Rules. Operation is subject to the following two conditions:

- (1) This device may not cause harmful interference, and
- (2) This device must accept any interference received, including interference that may cause undesired operation.

### FCC Radiation Exposure Statement:

The equipment complies with FCC Radiation exposure limits set forth for uncontrolled. This equipment should be installed and operated with minimum distance 20cm between the radiator and your body.

# Warranty card



Special statements:

1. If there is any technical modification for this product in the future, no further notice.
2. If the appearance or color of the product were changed, please refer to real product.
3. The warranty card is only applicable to product with IMEI number listed as below.
4. Please keep this card in good condition. Please present this card and the original purchase receipt when you apply warranty.
5. Please refer to the table below for the warranty range.

**This card is the basic proof of the warranty. Please fill in the card carefully and keep it in good condition.**

User Name		Telephone Number	
Address			
Model No.		IMEI	
Purchasing Date		Commercial invoice No.	
Seller Name			
Seller Address			
Seller contact number			
<ol style="list-style-type: none"><li>1. One year from the date of purchase, the non-human damage failure is guaranteed for one year;</li><li>2. Any of the following conditions is not covered by the warranty, but can be repaired if you pay the cost<ol style="list-style-type: none"><li>(1) Exceeding the warranty period;</li><li>(2) Damage caused by unauthorized disassembly or repair without the authorization of our company;</li><li>(3) immersed in water and the circuit board was burnt;</li><li>(4) Damage caused by improper installation, use, maintenance or storage;</li><li>(5) damage of outer casing caused by the improper use;</li><li>(6) The IMEI number of the product is torn or blurred;</li><li>(7) The warranty card and product model No. not match, or the warranty card was altered;</li><li>(8) Damage caused by force majeure.</li></ol></li></ol>			