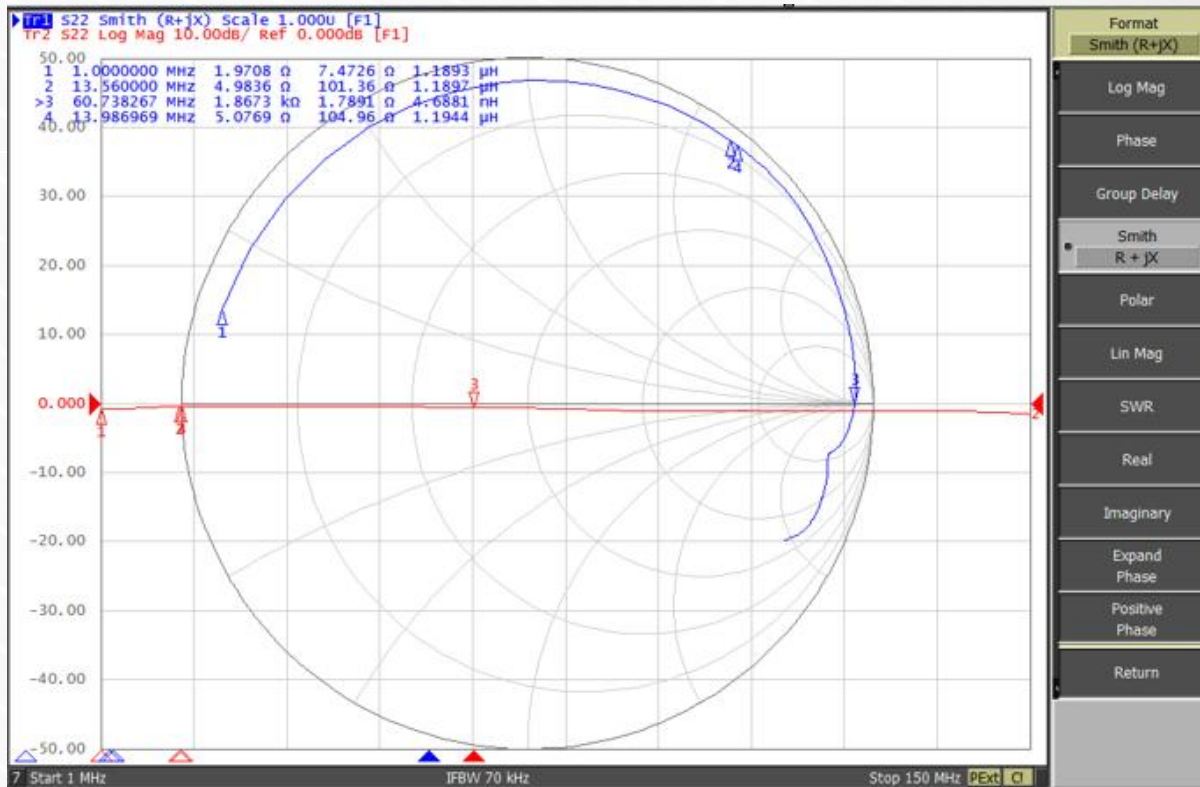
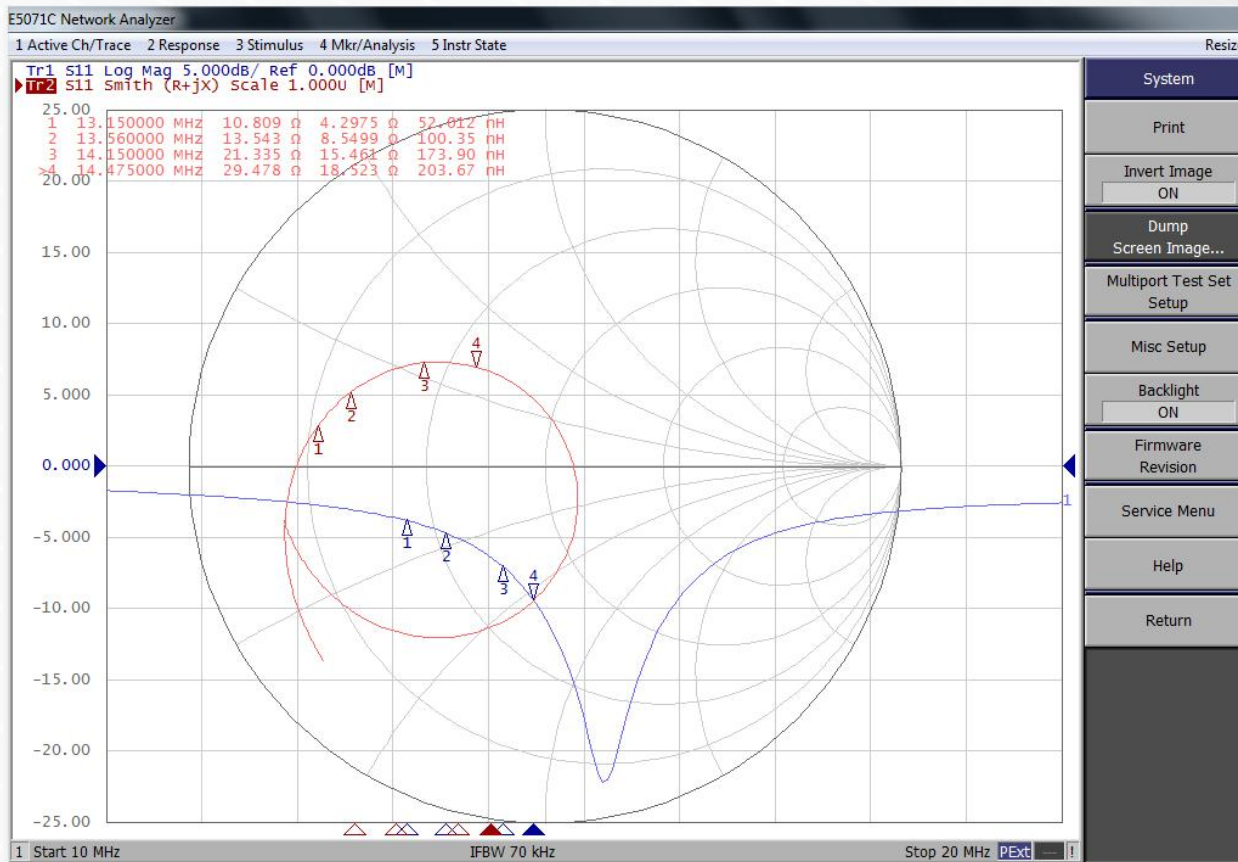


Shanghai Weierchuang Future Communication Technology Co., Ltd

P3NFC Report



@1MHZ	description
Rs	1.97 Ω
La	1.18uH
Fra	60.7MHz
Rp	1.86K Ω

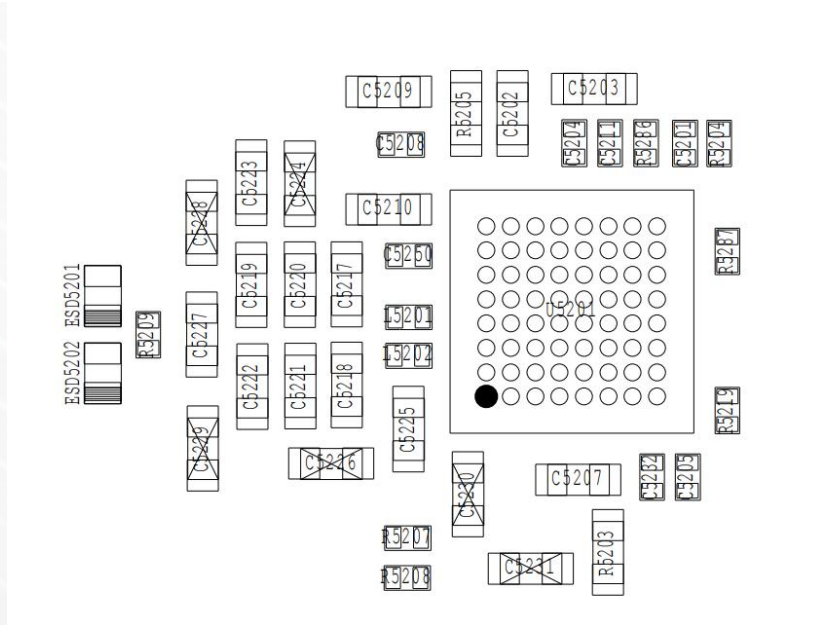
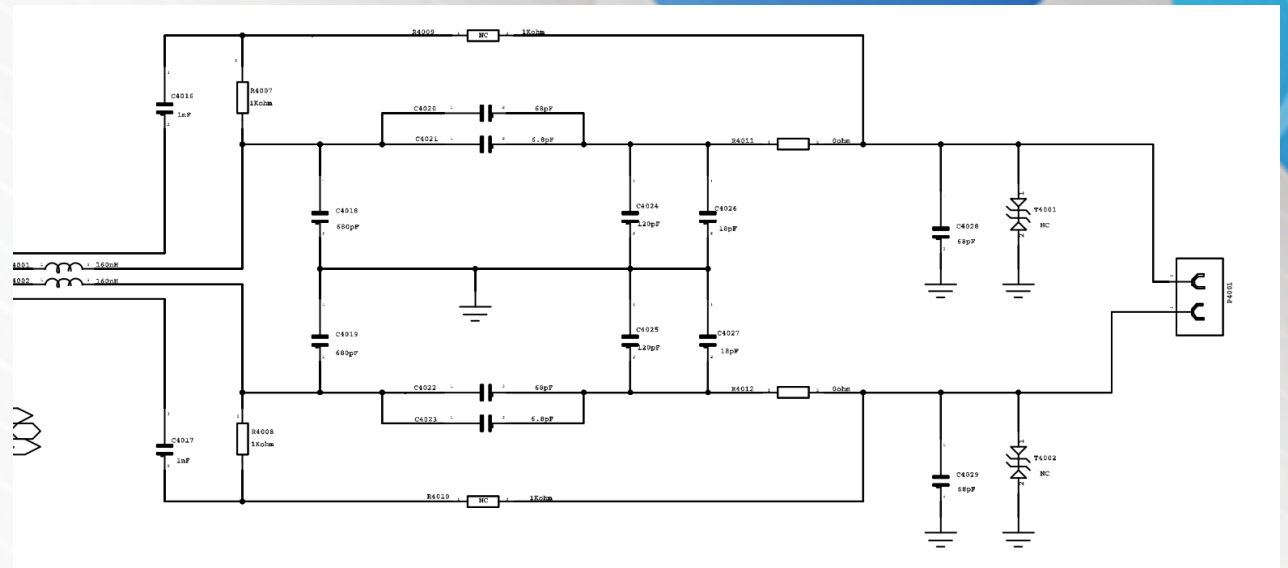


$Z@13.56\text{MHz}=11.6\ \Omega$

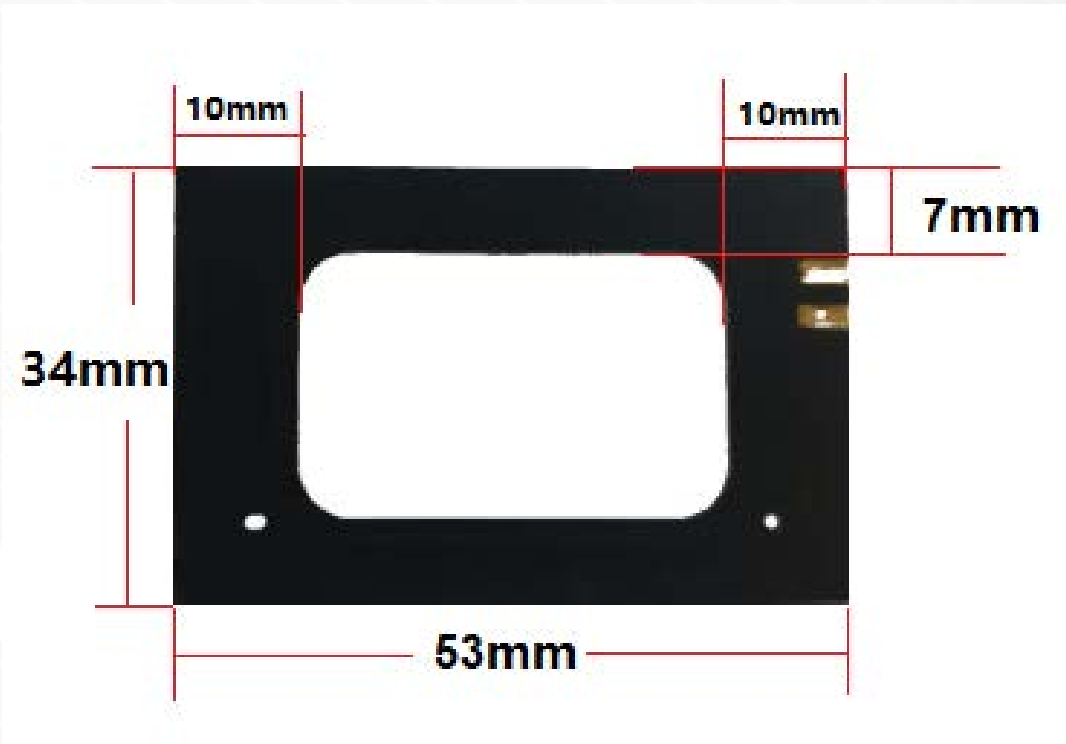
$F_r/w=13.55\text{MHz}$

NFC 匹配

C5227	5.6PF
C5223	150PF
C5225	150PF
C5219	10PF
C5222	10PF
C5221	270PF
C5220	270PF
C5218	560PF
C5217	560PF



Tag1(mm)	Tag2(mm)	Tag3(mm)	Tag4(mm)
46	52	37	24



The End