




# TEST REPORT

**Report No.** .....: **CHEW21100074** Report verification : 

**Project No.** .....: **SHT2109065201EW**

**FCC ID**.....: **2AZYA-AS10W**

**Applicant's name** .....: **Senwa Global International, S.A. de C.V.**

**Address**.....: Carretera Mexico-Toluca No. 5324 PB, Colonia El Yaqui Del. Cuajimalpa de Morelos, C.P. 05320 Ciudad de Mexico, Mexico

**Test item description** .....: **Tablet**

**Trade Mark** .....: ACER

**Model/Type reference**.....: SOSPIRO-AS10W

**Listed Model(s)** .....: -

**Standard** .....: **47 CFR FCC Part 15 Subpart B**

**Date of receipt of test sample**.....: Sept.23, 2021

**Date of testing**.....: Sept.23, 2021- Oct.18, 2021

**Date of issue**.....: Oct.19, 2021

**Result**.....: **Pass**

Compiled by  
 ( position+printed name+signature)..: File administrators Echo Wei

Supervised by  
 ( position+printed name+signature)..: Project Engineer Kiki Kong

Approved by  
 ( position+printed name+signature)..: RF Manager Hans Hu

*Echo Wei*

*Kiki Kong*

*Hans Hu*

**Testing Laboratory Name** .....: **Shenzhen Huatongwei International Inspection Co., Ltd.**

**Address**.....: 1/F, Bldg 3, Hongfa Hi-tech Industrial Park, Genyu Road, Tianliao, Gongming, Shenzhen, China

**Shenzhen Huatongwei International Inspection Co., Ltd. All rights reserved.**

This publication may be reproduced in whole or in part for non-commercial purposes as long as the Shenzhen Huatongwei International Inspection Co., Ltd. is acknowledged as copyright owner and source of the material. Shenzhen Huatongwei International Inspection Co., Ltd. takes no responsibility for and will not assume liability for damages resulting from the reader's interpretation of the reproduced material due to its placement and context.

*The test report merely corresponds to the test sample.*

## Contents

<b>1.</b>	<b><u>TEST STANDARDS AND REPORT VERSION .....</u></b>	<b><u>3</u></b>
1.1.	Test Standards	3
1.2.	Report version information	3
<b>2.</b>	<b><u>TEST DESCRIPTION .....</u></b>	<b><u>4</u></b>
<b>3.</b>	<b><u>SUMMARY.....</u></b>	<b><u>5</u></b>
3.1.	Client Information	5
3.2.	Product Description	5
3.3.	EUT operation mode	5
3.4.	Configuration of Tested System	6
3.5.	Support unit used in test configuration	6
<b>4.</b>	<b><u>TEST ENVIRONMENT .....</u></b>	<b><u>7</u></b>
4.1.	Testing Laboratory Information	7
4.2.	Environmental conditions	7
4.3.	Statement of the measurement uncertainty	7
4.4.	Equipments Used during the Test	8
<b>5.</b>	<b><u>TEST CONDITIONS AND RESULTS .....</u></b>	<b><u>9</u></b>
5.1.	Conducted Emissions Test	9
5.2.	Radiated Emissions Test	12
<b>6.</b>	<b><u>TEST SETUP PHOTOS OF THE EUT .....</u></b>	<b><u>17</u></b>
<b>7.</b>	<b><u>EXTERNAL AND INTERNAL PHOTOS OF THE EUT .....</u></b>	<b><u>18</u></b>

## 1. TEST STANDARDS AND REPORT VERSION

### 1.1. Test Standards

The tests were performed according to following standards:

[47 CFR FCC Part 15 Subpart B](#) - Unintentional Radiators

[ANSI C63.4: 2014](#) – American National Standard for Methods of Measurement of Radio-Noise Emissions from Low-Voltage Electrical and Electronic Equipment in the Range of 9 kHz to 40GHz

### 1.2. Report version information

Revision No.	Date of issue	Description
N/A	2021-10-19	Original

## 2. TEST DESCRIPTION

Test Item	Section in CFR 47	Result	Test Engineer
Conducted Emissions	15.107(a)	PASS	Jian Li
Radiated Emissions	15.109(a)	PASS	Hongbin Zhong

Note: The measurement uncertainty is not included in the test result.

### 3. SUMMARY

#### 3.1. Client Information

Applicant:	Senwa Global International, S.A. de C.V.
Address:	Carretera Mexico-Toluca No. 5324 PB, Colonia El Yaqui Del. Cuajimalpa de Morelos, C.P. 05320 Ciudad de Mexico, Mexico
Manufacturer:	Q2 COMMUNICATION TECHNOLOGY LIMITED
Address:	Room 401, Building A, Baihui Creative Park, No. 5185, Yiyuan Road, Xin 'an Street, Bao 'an District, Shenzhen, Guangdong
Factory:	Q2 COMMUNICATION TECHNOLOGY LIMITED
Address:	Room 401, Building A, Baihui Creative Park, No. 5185, Yiyuan Road, Xin 'an Street, Bao 'an District, Shenzhen, Guangdong

#### 3.2. Product Description

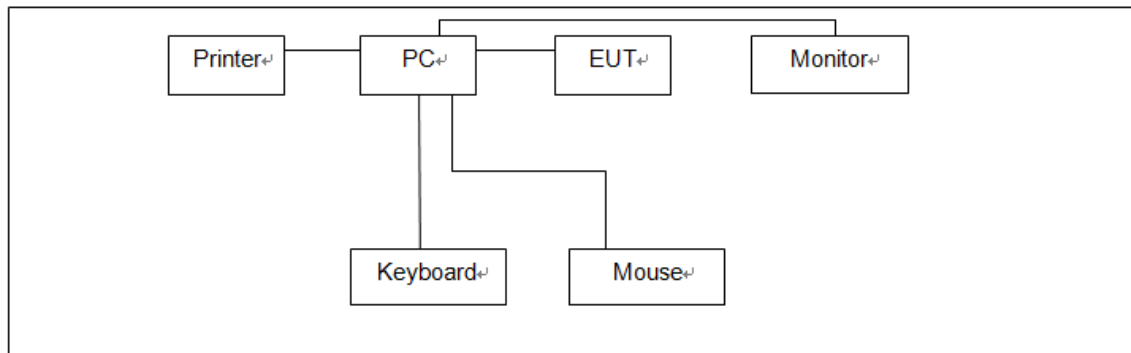
Name of EUT:	Tablet
Trade Mark:	ACER
Model No.:	SOSPIRO-AS10W
Listed Model(s)	-
Power supply:	DC3.7V
Battery Information:	3.7V 6000mAh 22.2Wh
Adapter Information:	Model: JK050200-S86USU Input: 100-240Va.c.,50/60Hz 0.5A Output: 5.0Vd.c.,2A 10W
Hardware version:	ACER_AS10W_Ver 01
Software version:	ACER_AS10W_Ver 01

#### 3.3. EUT operation mode

Test mode	Describe
Camera recording mode	Keep the EUT in Camera recording status
Video Playing mode	Keep the EUT in Video Playing status
Data exchange mode	Keep the EUT in Data exchange with PC status

Pre-scan all of above modes. Only show Data exchange mode for conducted emission, and data exchange mode for radiated emission, which is the worst case on the report.

### 3.4. Configuration of Tested System



### 3.5. Support unit used in test configuration

Item	Equipment	Manufacturer	Model No.	FCC ID / FCC DoC	Data Cable	Power Cord
1	PC	DELL	OptiPlex 3020 MT	FCC DoC	N/A	Unshielded 1.8m
2	Monitor	DELL	E1912Hf	FCC DoC	N/A	Unshielded 1.8m
3	Keyboard	DELL	SK8115	FCC DoC	Unshielded, 1.5m	N/A
4	Mouse	DELL	MS111-T	FCC DoC	Unshielded, 1.5m	N/A
5	Printer	EPSON	L101	FCC DoC	N/A	Unshielded 1.8m

## 4. TEST ENVIRONMENT

### 4.1. Testing Laboratory Information

Laboratory Name	Shenzhen Huatongwei International Inspection Co., Ltd.	
Laboratory Location	1/F, Bldg 3, Hongfa Hi-tech Industrial Park, Genyu Road, Tianliao, Gongming, Shenzhen, China	
Connect information:	Tel: 86-755-26715499 E-mail: <a href="mailto:cs@szhtw.com.cn">cs@szhtw.com.cn</a> <a href="http://www.szhtw.com.cn">http://www.szhtw.com.cn</a>	
Qualifications	Type	Accreditation Number
	FCC	762235

### 4.2. Environmental conditions

During the measurement the environmental conditions were within the listed ranges:

Temperature:	15~35°C
Relative Humidity:	30~60 %
Air Pressure:	950~1050mba

### 4.3. Statement of the measurement uncertainty

The data and results referenced in this document are true and accurate. The reader is cautioned that there may be errors within the calibration limits of the equipment and facilities. The measurement uncertainty was calculated for all measurements listed in this test report acc. to CISPR 16 - 4 „Specification for radio disturbance and immunity measuring apparatus and methods – Part 4: Uncertainty in EMC Measurements“ and is documented in the Shenzhen Huatongwei International Inspection Co., Ltd quality system acc. to DIN EN ISO/IEC 17025. Furthermore, component and process variability of devices similar to that tested may result in additional deviation. The manufacturer has the sole responsibility of continued compliance of the device.

Hereafter the best measurement capability for Shenzhen Huatongwei laboratory is reported:

Test	Range	Measurement Uncertainty	Notes
Radiated Emissions	30~1000MHz	4.90 dB	(1)
Radiated Emissions	1~18GHz	4.96 dB	(1)
Conducted Disturbance	0.15~30MHz	3.02 dB	(1)

(1) This uncertainty represents an expanded uncertainty expressed at approximately the 95% confidence level using a coverage factor of k=1.96.

#### 4.4. Equipments Used during the Test

● Conducted Emission							
Used	Test Equipment	Manufacturer	Equipment No.	Model No.	Serial No.	Last Cal. Date (YY-MM-DD)	Next Cal. Date (YY-MM-DD)
●	Shielded Room	Albatross projects	HTWE0114	N/A	N/A	2018/09/28	2023/09/27
●	EMI Test Receiver	R&S	HTWE0111	ESCI	101247	2021/9/14	2022/9/13
●	Artificial Mains	SCHWARZBECK	HTWE0113	NNLK 8121	573	2021/9/17	2022/9/16
●	Pulse Limiter	R&S	HTWE0033	ESH3-Z2	100499	2021/9/13	2022/9/12
●	RF Connection Cable	HUBER+SUHNER	HTWE0113-02	ENVIROFLEX_142	EF-NM-BNCM-2M	2021/9/17	2022/9/16
●	Test Software	R&S	N/A	ES-K1	N/A	N/A	N/A

● Radiated Emission-6th test site							
Used	Test Equipment	Manufacturer	Equipment No.	Model No.	Serial No.	Last Cal. Date (YY-MM-DD)	Next Cal. Date (YY-MM-DD)
●	Semi-Anechoic Chamber	Albatross projects	HTWE0127	SAC-3m-02	C11121	2018/09/30	2022/09/29
●	EMI Test Receiver	R&S	HTWE0099	ESCI	100900	2021/9/14	2022/9/13
●	Ultra-Broadband Antenna	SCHWARZBECK	HTWE0119	VULB9163	546	2020/04/28	2023/04/27
●	Pre-Amplifier	SCHWARZBECK	HTWE0295	BBV 9742	N/A	2020/11/13	2021/11/12
●	RF Connection Cable	HUBER+SUHNER	HTWE0062-01	N/A	N/A	2021/02/26	2022/02/25
●	RF Connection Cable	HUBER+SUHNER	HTWE0062-02	SUCOFLEX104	501184/4	2021/02/26	2022/02/25
●	Test Software	R&S	N/A	ES-K1	N/A	N/A	N/A

● Radiated emission-7th test site							
Used	Test Equipment	Manufacturer	Equipment No.	Model No.	Serial No.	Last Cal. Date (YY-MM-DD)	Next Cal. Date (YY-MM-DD)
●	Semi-Anechoic Chamber	Albatross projects	HTWE0122	SAC-3m-01	N/A	2018/09/27	2022/09/26
●	Spectrum Analyzer	R&S	HTWE0098	FSP40	100597	2021/9/13	2022/9/12
●	Horn Antenna	SCHWARZBECK	HTWE0126	9120D	1011	2020/04/01	2023/03/31
●	Broadband Pre-amplifier	SCHWARZBECK	HTWE0201	BBV 9718	9718-248	2021/03/05	2022/03/04
●	RF Connection Cable	HUBER+SUHNER	HTWE0126-01	RE-7-FH	N/A	2021/03/05	2022/03/04
●	Test Software	Audix	N/A	E3	N/A	N/A	N/A



## 5. TEST CONDITIONS AND RESULTS

### 5.1. Conducted Emissions Test

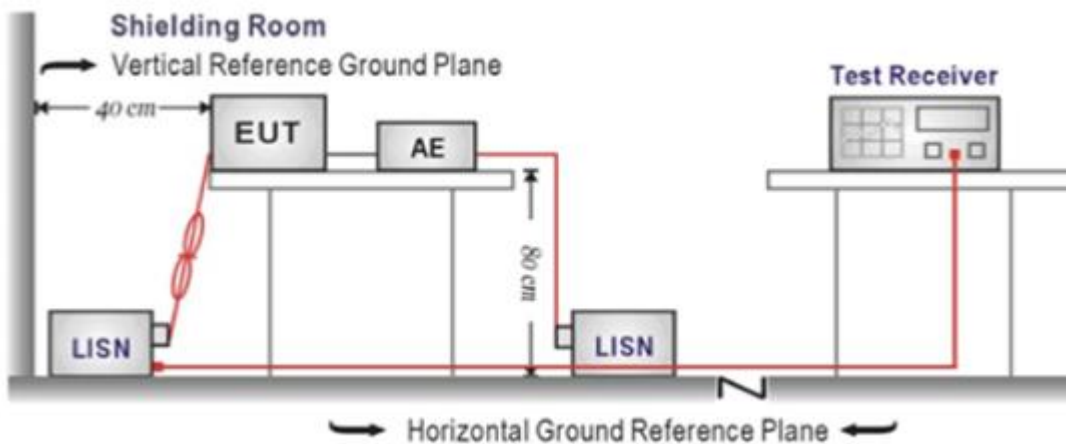
#### LIMIT

FCC CFR Title 47 Part 15 Subpart B Section 15.107:

Frequency range (MHz)	Limit (dBuV)	
	Quasi-peak	Average
0.15-0.5	66 to 56*	56 to 46*
0.5-5	56	46
5-30	60	50

\* Decreases with the logarithm of the frequency.

#### TEST CONFIGURATION



#### TEST PROCEDURE

1. The EUT was setup according to ANSI C63.4:2014
2. The EUT was placed on a plat form of nominal size, 1 m by 1.5 m, raised 80 cm above the conducting ground plane. The vertical conducting plane was located 40 cm to the rear of the EUT. All other surfaces of EUT were at least 80 cm from any other grounded conducting surface.
3. The EUT and simulators are connected to the main power through a line impedance stabilization network (LISN). The LISN provides a 50ohm / 50uH coupling impedance for the measuring equipment.
4. The peripheral devices are also connected to the main power through a LISN. (Please refer to the block diagram of the test setup and photographs)
5. Each current-carrying conductor of the EUT power cord, except the ground (safety) conductor, was individually connected through a LISN to the input power source.
6. The excess length of the power cord between the EUT and the LISN receptacle were folded back and forth at the center of the lead to form a bundle not exceeding 40 cm in length.
7. Conducted emissions were investigated over the frequency range from 0.15MHz to 30MHz using a receiver bandwidth of 9 kHz.
8. During the above scans, the emissions were maximized by cable manipulation.

#### TEST MODE:

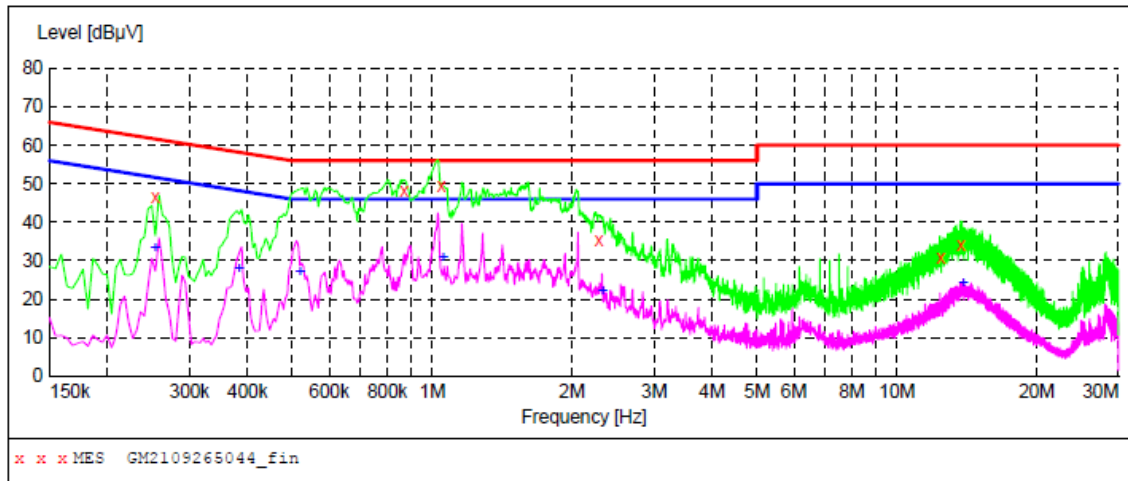
Please refer to the clause 3.3

#### TEST RESULTS

Passed       Not Applicable

Test Line:

L



**MEASUREMENT RESULT: "GM2109265044\_fin"**

9/26/2021 2:36PM

Frequency MHz	Level dBµV	Transd dB	Limit dBµV	Margin dB	Detector	Line	PE
0.253500	46.40	10.2	62	15.2	QP	L1	GND
0.870000	48.20	10.2	56	7.8	QP	L1	GND
1.045500	49.60	10.2	56	6.4	QP	L1	GND
2.283000	35.50	10.2	56	20.5	QP	L1	GND
12.417000	30.70	10.3	60	29.3	QP	L1	GND
13.726500	34.00	10.3	60	26.0	QP	L1	GND

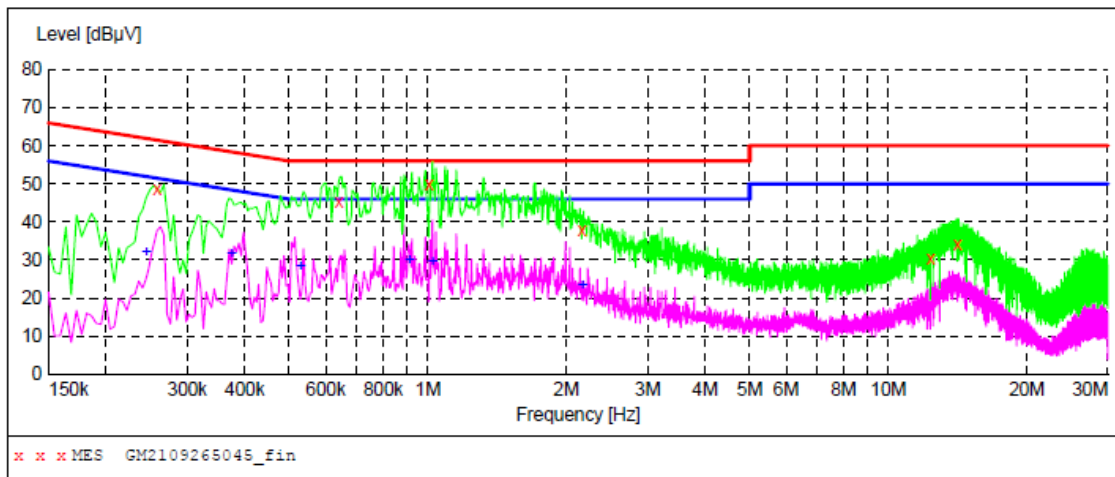
**MEASUREMENT RESULT: "GM2109265044\_fin2"**

9/26/2021 2:36PM

Frequency MHz	Level dBµV	Transd dB	Limit dBµV	Margin dB	Detector	Line	PE
0.253500	33.40	10.2	52	18.2	AV	L1	GND
0.384000	27.70	10.2	48	20.5	AV	L1	GND
0.519000	27.20	10.2	46	18.8	AV	L1	GND
1.054500	31.00	10.2	46	15.0	AV	L1	GND
2.323500	22.10	10.2	46	23.9	AV	L1	GND
13.884000	24.10	10.3	50	25.9	AV	L1	GND

Test Line:

N



**MEASUREMENT RESULT: "GM2109265045\_fin"**

9/26/2021 2:40PM

Frequency MHz	Level dBµV	Transd dB	Limit dBµV	Margin dB	Detector	Line	PE
0.258000	48.40	10.2	62	13.1	QP	N	GND
0.640500	45.10	10.2	56	10.9	QP	N	GND
1.005000	50.00	10.2	56	6.0	QP	N	GND
2.157000	37.70	10.2	56	18.3	QP	N	GND
12.354000	30.50	10.3	60	29.5	QP	N	GND
14.109000	34.20	10.3	60	25.8	QP	N	GND

**MEASUREMENT RESULT: "GM2109265045\_fin2"**

9/26/2021 2:40PM

Frequency MHz	Level dBµV	Transd dB	Limit dBµV	Margin dB	Detector	Line	PE
0.244500	32.10	10.2	52	19.8	AV	N	GND
0.375000	31.70	10.2	48	16.7	AV	N	GND
0.528000	28.50	10.2	46	17.5	AV	N	GND
0.910500	30.10	10.2	46	15.9	AV	N	GND
1.023000	29.70	10.2	46	16.3	AV	N	GND
2.166000	23.20	10.2	46	22.8	AV	N	GND

## 5.2. Radiated Emissions Test

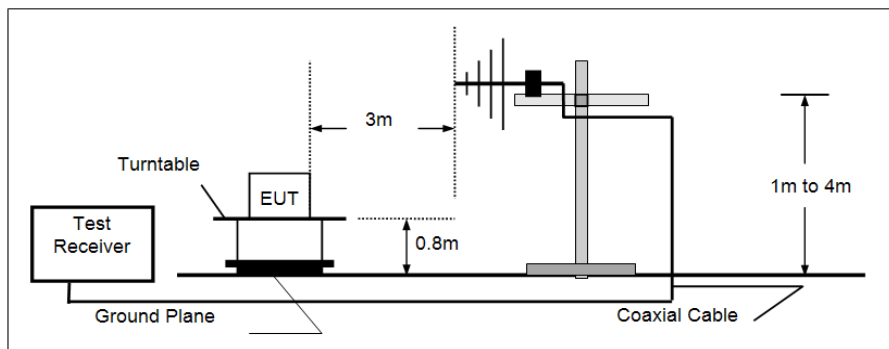
### LIMIT

#### FCC CFR Title 47 Part 15 Subpart B Section 15.109

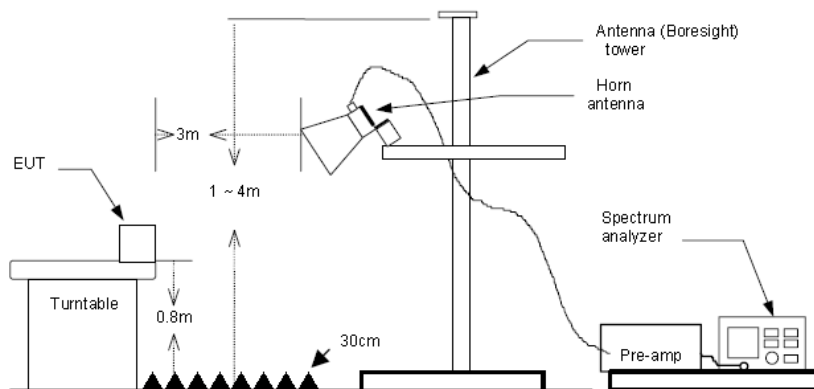
Frequency	Limit (dBuV/m @3m)	Value
30MHz-88MHz	40.00	Quasi-peak
88MHz-216MHz	43.50	Quasi-peak
216MHz-960MHz	46.00	Quasi-peak
960MHz-1GHz	54.00	Quasi-peak
Above 1GHz	54.00	Average
	74.00	Peak

### TEST CONFIGURATION

#### ➤ 30MHz ~ 1GHz



#### ➤ Above 1GHz



### TEST PROCEDURE

1. The EUT was tested according to ANSI C63.4:2014.
2. The EUT is placed on a turn table which is 0.8 meter above ground.
3. The turn table is rotated 360 degrees to determine the position of the maximum emission level.
4. The EUT was positioned such that the distance from antenna to the EUT was 3 meters.
5. The antenna is scanned from 1 meter to 4 meters to find out the maximum emission level. This is repeated for both horizontal and vertical polarization of the antenna.
6. Use the following spectrum analyzer settings
  - (1) Span shall wide enough to fully capture the emission being measured;
  - (2) Below 1GHz,  
RBW=120KHz, VBW=300KHz, Sweep=auto, Detector function=peak, Trace=max hold;  
If the emission level of the EUT measured by the peak detector is 3 dB lower than the applicable limit, the peak emission level will be reported. Otherwise, the emission measurement will be repeated using the quasi-peak detector and reported.
  - (3) From 1GHz to 5th harmonic, RBW=1MHz, VBW=3MHz

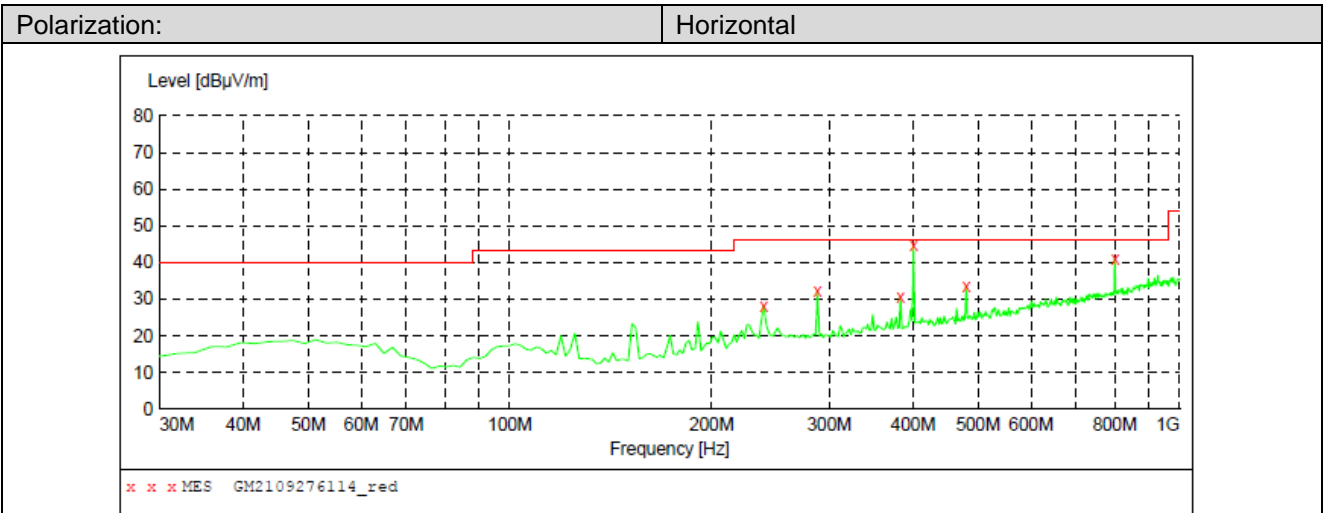
**TEST MODE:**

Please refer to the clause 3.3

**TEST RESULTS**

**Passed**       **Not Applicable**

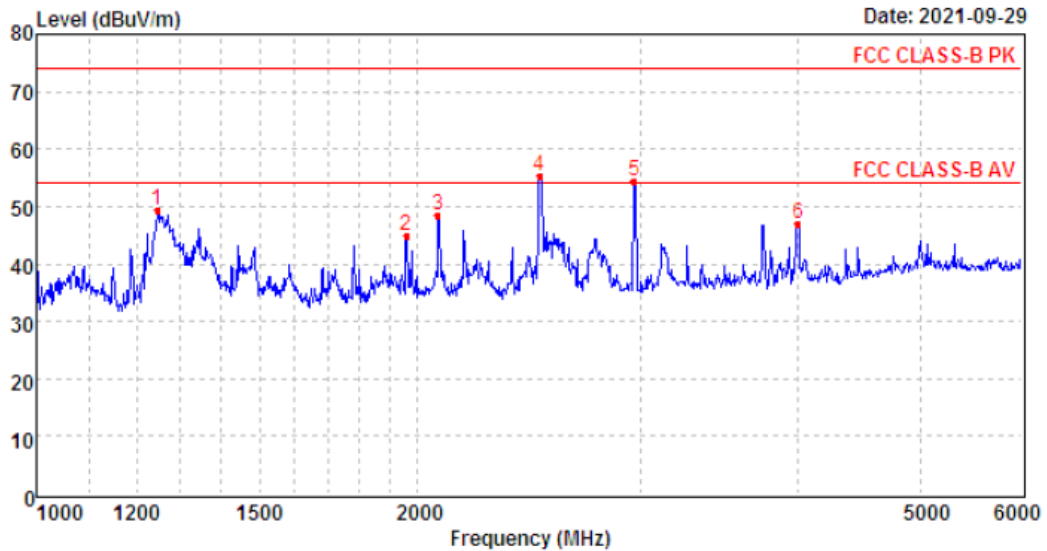
Note: Final Level = Receiver Read level + Antenna Factor + Cable Loss – Preamplifier Factor  
The emission levels of frequency above 6GHz are very lower than limit and not show in test report.



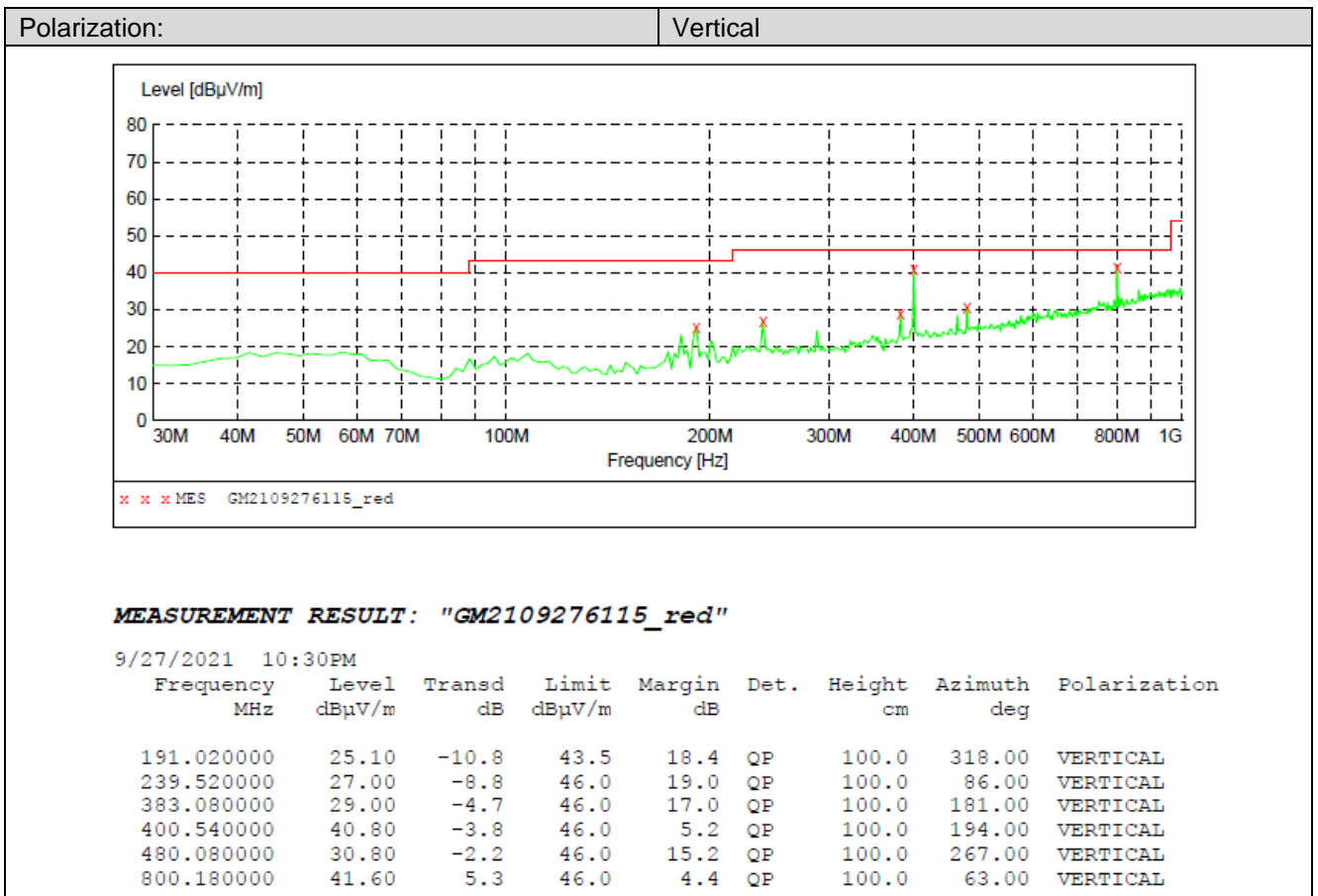
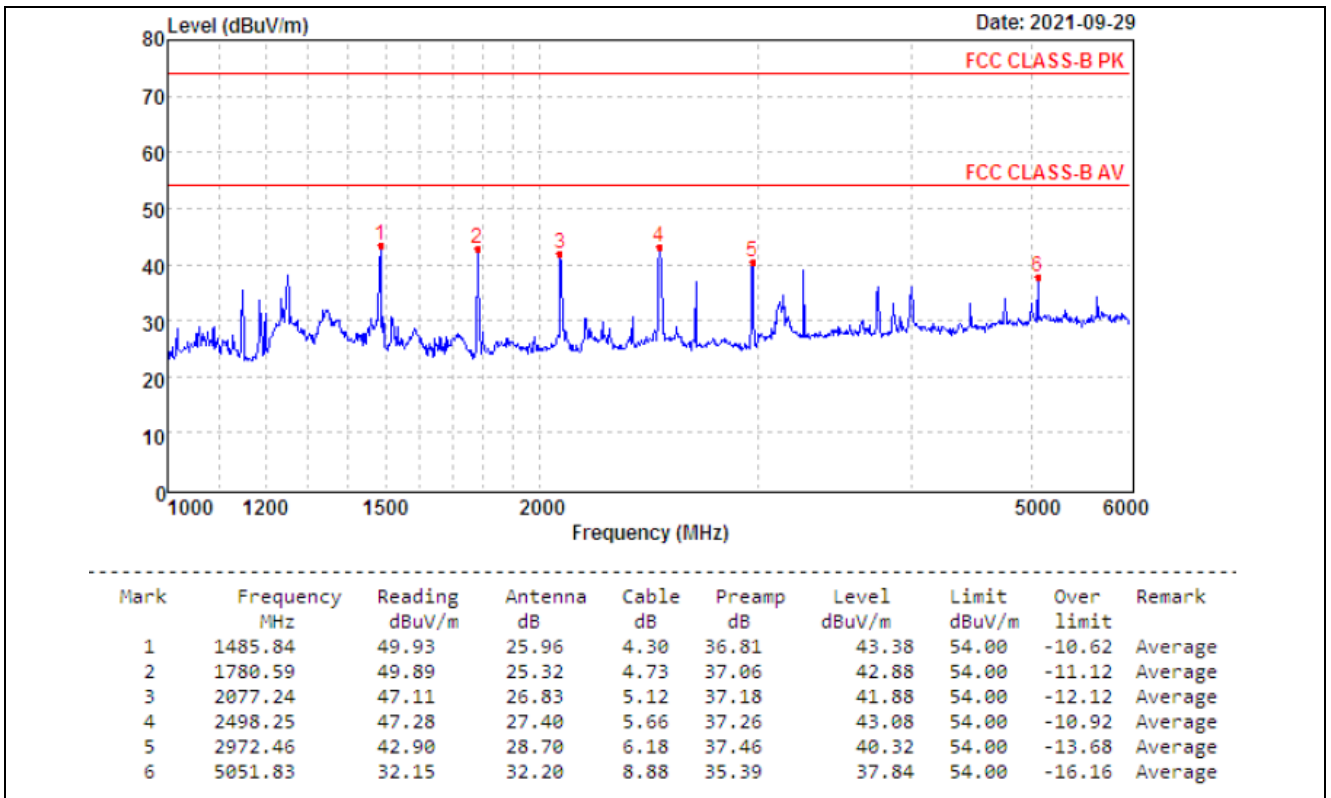
**MEASUREMENT RESULT: "GM2109276114\_red"**

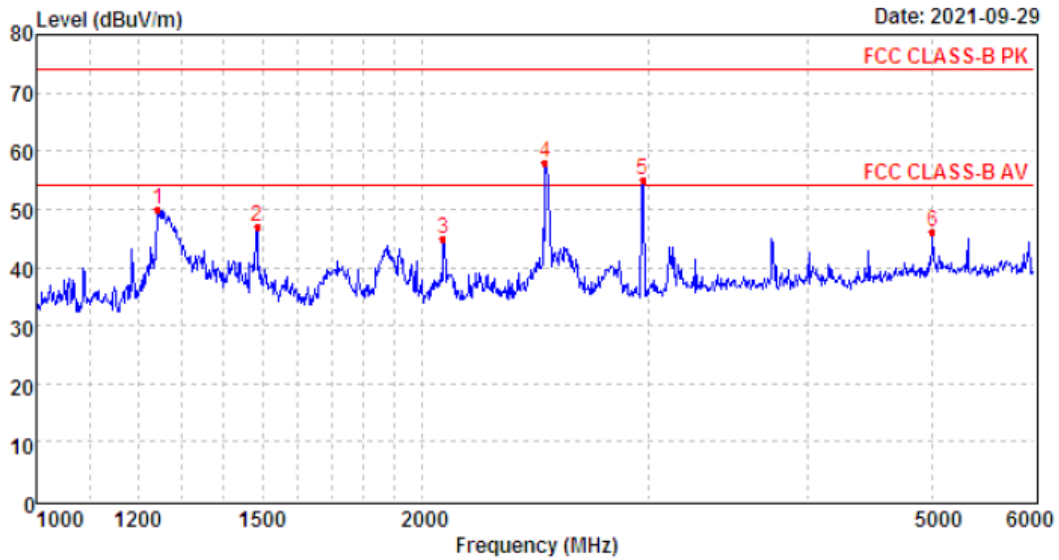
9/27/2021 10:27PM

Frequency MHz	Level dBuV/m	Transd dB	Limit dBuV/m	Margin dB	Det.	Height cm	Azimuth deg	Polarization
239.520000	28.30	-8.8	46.0	17.7	QP	100.0	131.00	HORIZONTAL
288.020000	32.20	-7.4	46.0	13.8	QP	100.0	285.00	HORIZONTAL
383.080000	30.50	-4.7	46.0	15.5	QP	100.0	131.00	HORIZONTAL
400.540000	44.50	-3.8	46.0	1.5	QP	100.0	117.00	HORIZONTAL
480.080000	33.50	-2.2	46.0	12.5	QP	100.0	273.00	HORIZONTAL
800.180000	41.10	5.3	46.0	4.9	QP	100.0	50.00	HORIZONTAL

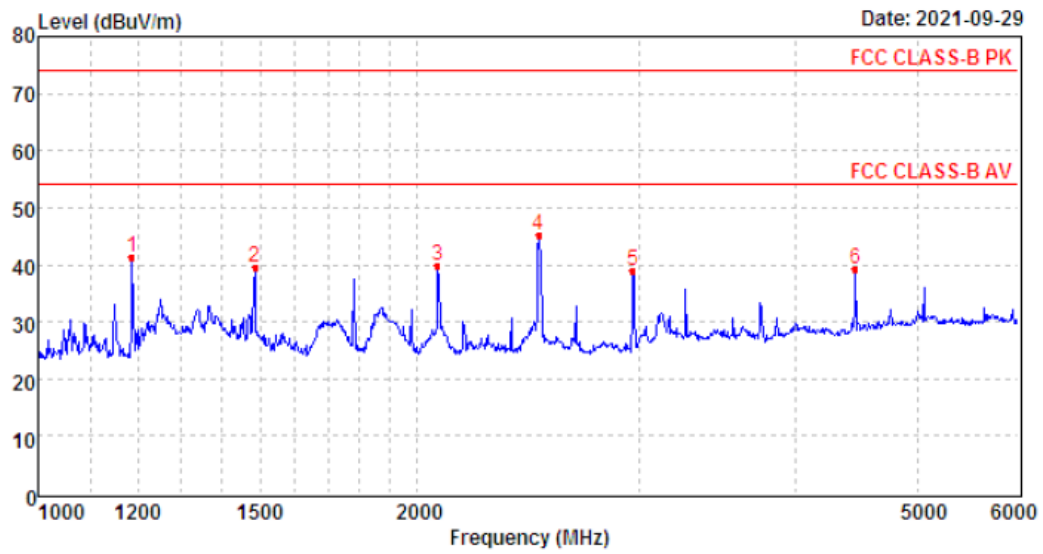


Mark	Frequency MHz	Reading dBuV/m	Antenna dB	Cable dB	Preamp dB	Level dBuV/m	Limit dBuV/m	Over limit	Remark
1	1246.56	55.90	25.88	3.95	36.51	49.22	74.00	-24.78	Peak
2	1961.48	50.93	25.95	4.97	37.00	44.85	74.00	-29.15	Peak
3	2077.24	53.64	26.83	5.12	37.18	48.41	74.00	-25.59	Peak
4	2498.25	59.44	27.40	5.66	37.26	55.24	74.00	-18.76	Peak
5	2967.14	57.00	28.70	6.18	37.44	54.44	74.00	-19.56	Peak
6	3994.95	46.04	29.90	7.38	36.37	46.95	74.00	-27.05	Peak





Mark	Frequency MHz	Reading dBuV/m	Antenna dB	Cable dB	Preamp dB	Level dBuV/m	Limit dBuV/m	Over limit	Remark
1	1244.33	56.79	25.87	3.94	36.52	50.08	74.00	-23.92	Peak
2	1485.84	53.64	25.96	4.30	36.81	47.09	74.00	-26.91	Peak
3	2077.24	50.27	26.83	5.12	37.18	45.04	74.00	-28.96	Peak
4	2493.77	62.06	27.41	5.65	37.26	57.86	74.00	-16.14	Peak
5	2972.46	57.46	28.70	6.18	37.46	54.88	74.00	-19.12	Peak
6	4997.81	40.79	31.88	8.81	35.25	46.23	74.00	-27.77	Peak



Mark	Frequency MHz	Reading dBuV/m	Antenna dB	Cable dB	Preamp dB	Level dBuV/m	Limit dBuV/m	Over limit	Remark
1	1187.69	48.51	25.55	3.85	36.66	41.25	54.00	-12.75	Average
2	1485.84	46.09	25.96	4.30	36.81	39.54	54.00	-14.46	Average
3	2077.24	44.97	26.83	5.12	37.18	39.74	54.00	-14.26	Average
4	2498.25	49.49	27.40	5.66	37.26	45.29	54.00	-8.71	Average
5	2967.14	41.62	28.70	6.18	37.44	39.06	54.00	-14.94	Average
6	4456.34	36.67	30.80	8.06	36.19	39.34	54.00	-14.66	Average



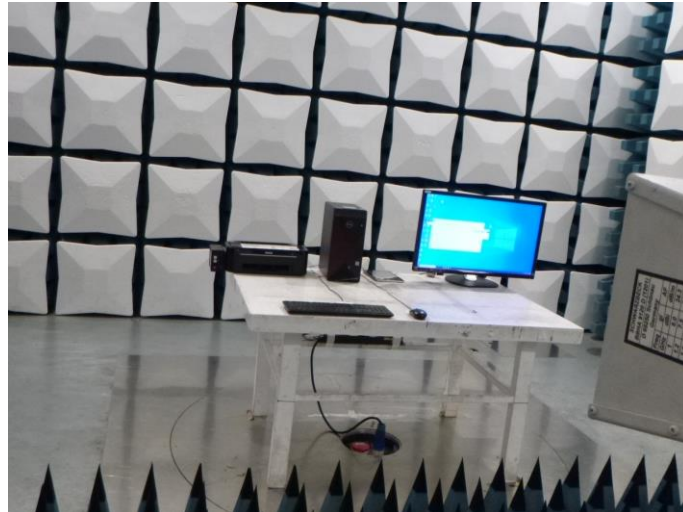
## 6. TEST SETUP PHOTOS OF THE EUT

Conducted Emissions (AC Mains)



Radiated Emissions





## **7. EXTERNAL AND INTERNAL PHOTOS OF THE EUT**

Reference to the test report No.: CHTEW21100071

-----End of Report-----