



# Antenna Test Report

## Heyuan Xunwei Communication Technology Co., Ltd

RF: Chenchuanming

Date: 2023.08.09

Office address: Zone M, 8/F, Building 1, Baisha Xinxing Industrial Park, No. 3011,  
Shahe West Road, Nanshan District, Shenzhen

# Contents:

Test equipment

Modal information

Matching circuit

Active performance

test data

# Test equipment

Wireless communications test set: CMW500

Network Analyzer: Agilent 5071B

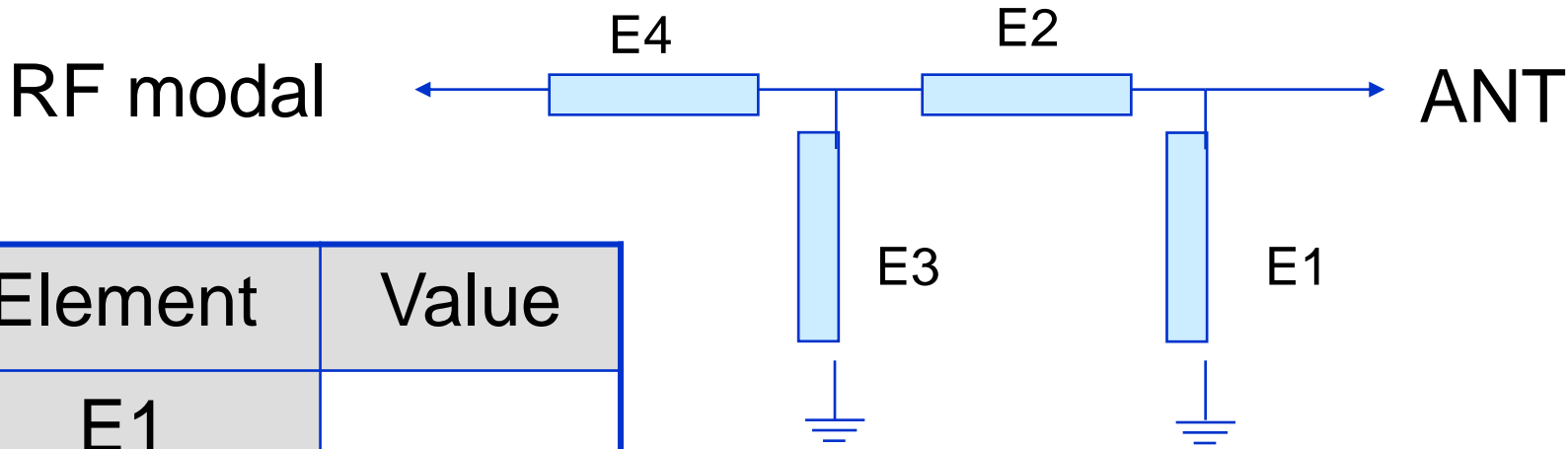
Anechoic Chamber : SATIMO SG24



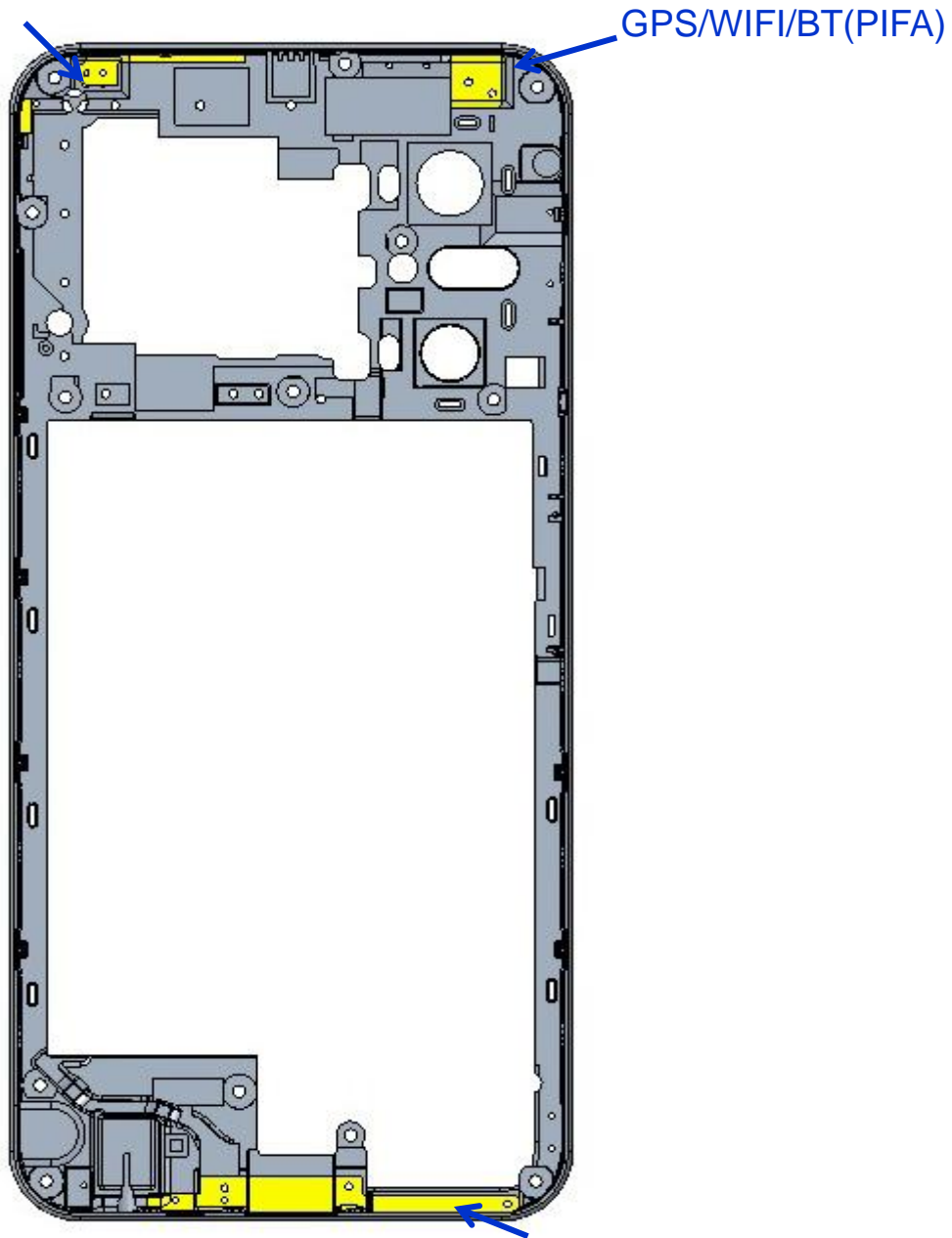
# Antenna information

Customer	Boat of wealth
Antenna model	FPC
Antenna type	PIFA
Antenna band	BT/WIFI/GPS

# Matching circuit (No modification)



Element	Value
E1	
E2	
E3	
E4	



# Antenna gain

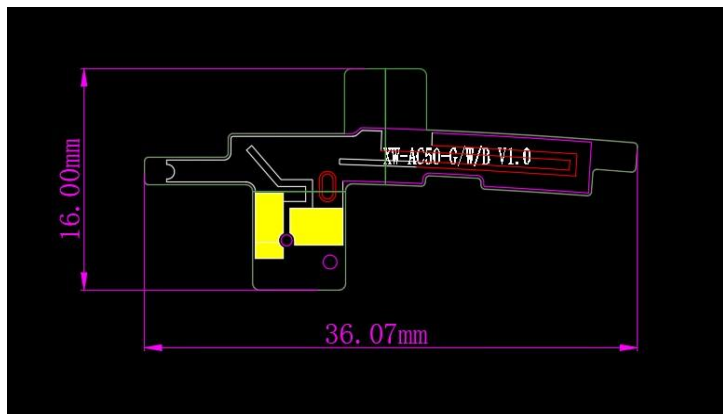
WiFi/BT 2.4~2.5G/2412MHz~2472MHz& GPS: 1575.42 MHz

WIFI(2.4G) (2412-2472MHz) : -1.32dBi

BT (2400-2500MHz) : -1.32dBi

GPS (1570-1620MHz) : -1.45dBi

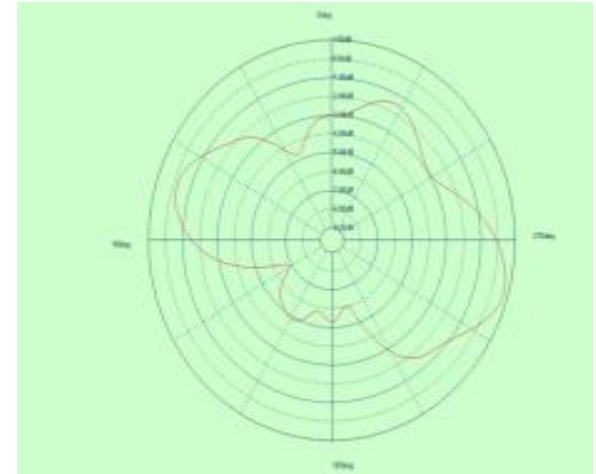
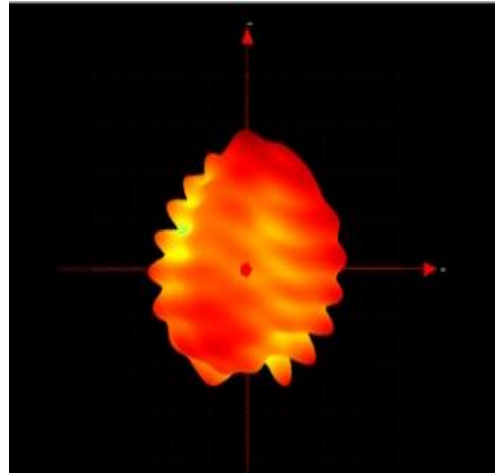
# Antenna dimension drawing





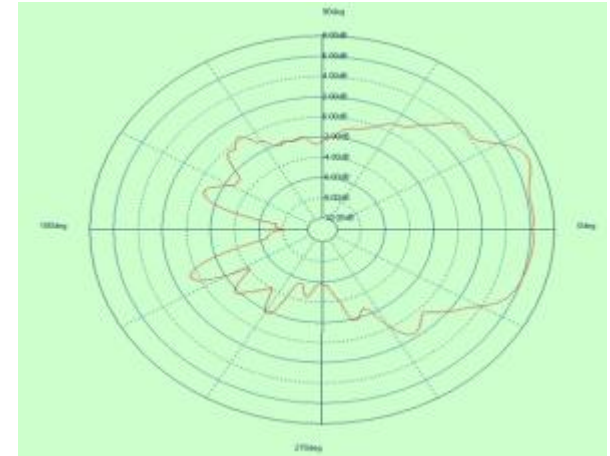
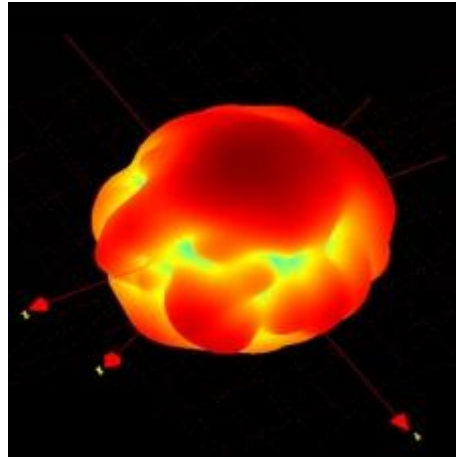
## 2.3 G/W/B antenna Peak Gain(1575M)

Freq (MHZ)	Effi (%)
1575	37.6



## 2.3 G/W/B antenna Peak Gain(2400-2500M)

Freq (MHZ)	Effi (%)
2450	33.5



## 2.3 G/W/B antenna Peak Gain(5100-5800M)

Freq (MHZ)	Effi (%)
5525	33.1

