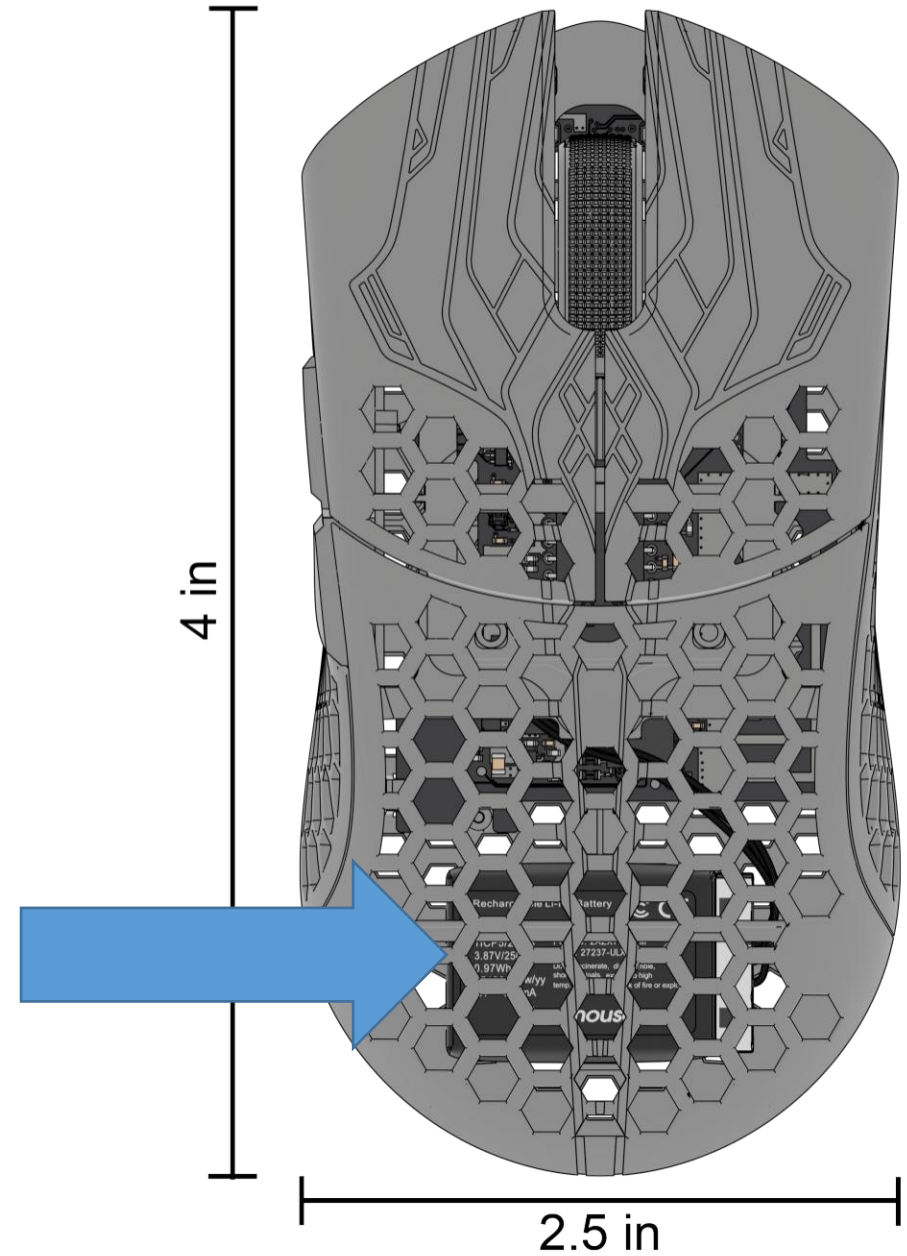
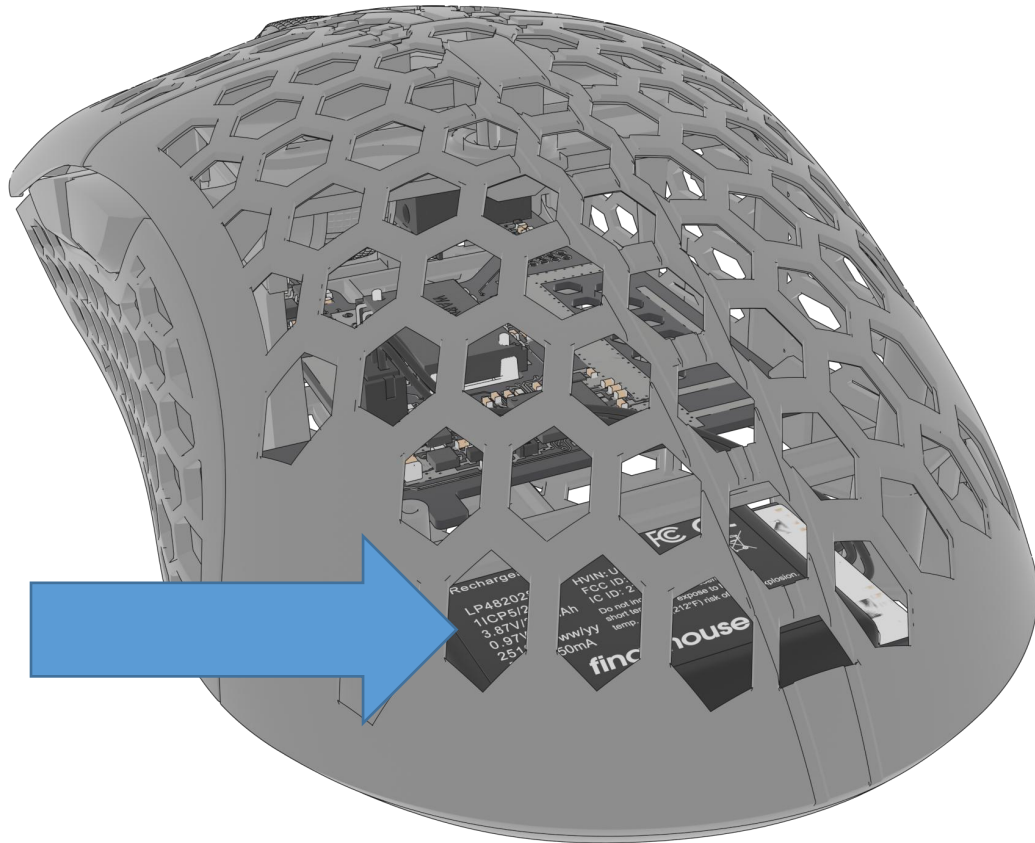


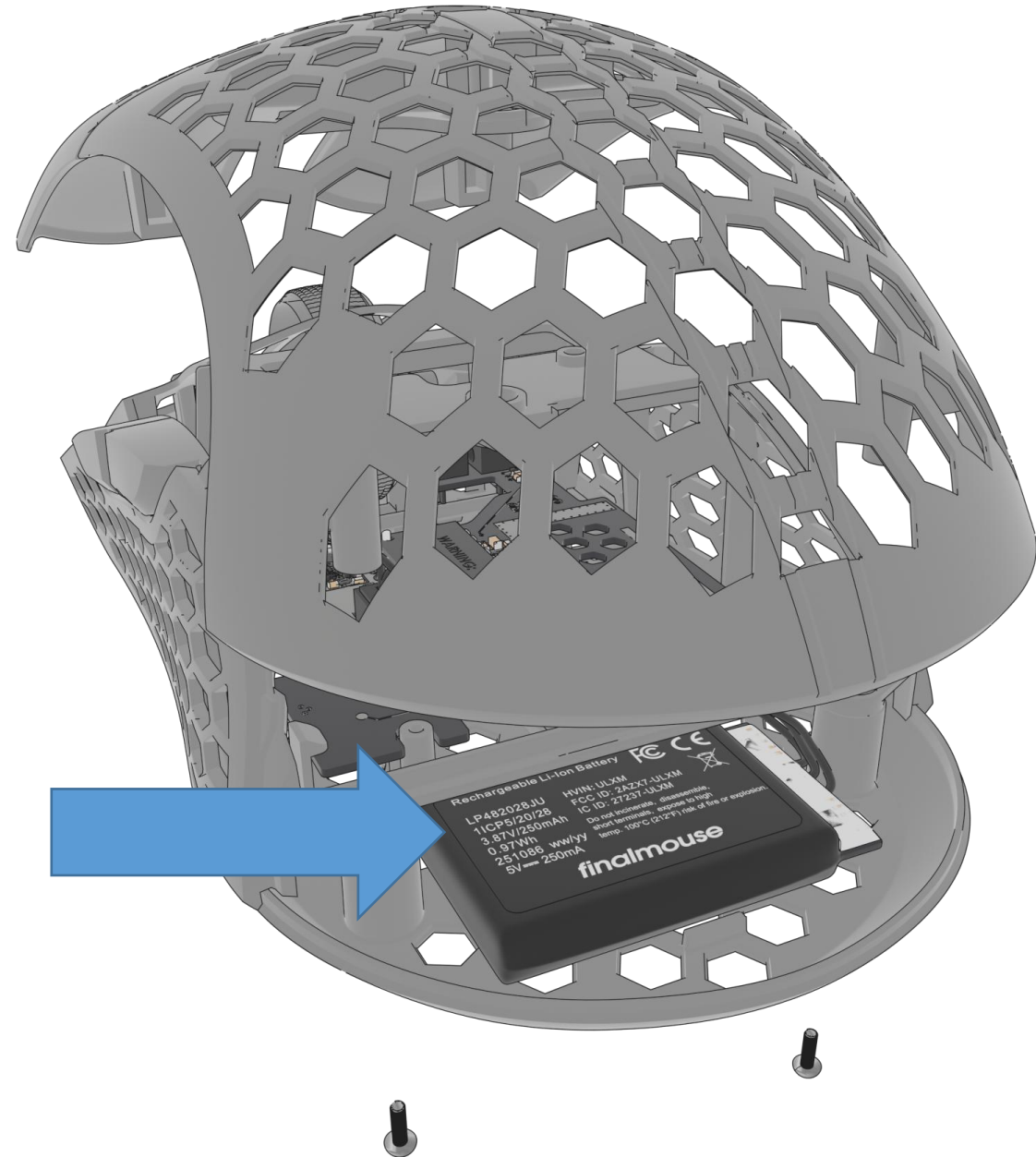
ULXS Label location

- Label approximate location:



ULXS Label location

- With top cover removed:



Rechargeable Li-Ion Battery



LP482028JU

HVIN: ULXS

1ICP5/20/28

FCC ID: 2AZX7-ULXS

3.87V/250mAh

IC: 27237-ULXS

0.97Wh

251086 ww/yy

5V \Rightarrow 250mA

Do not incinerate, disassemble, short terminals, expose to high temp. 100°C (212°F) risk of fire or explosion.



finalmouse