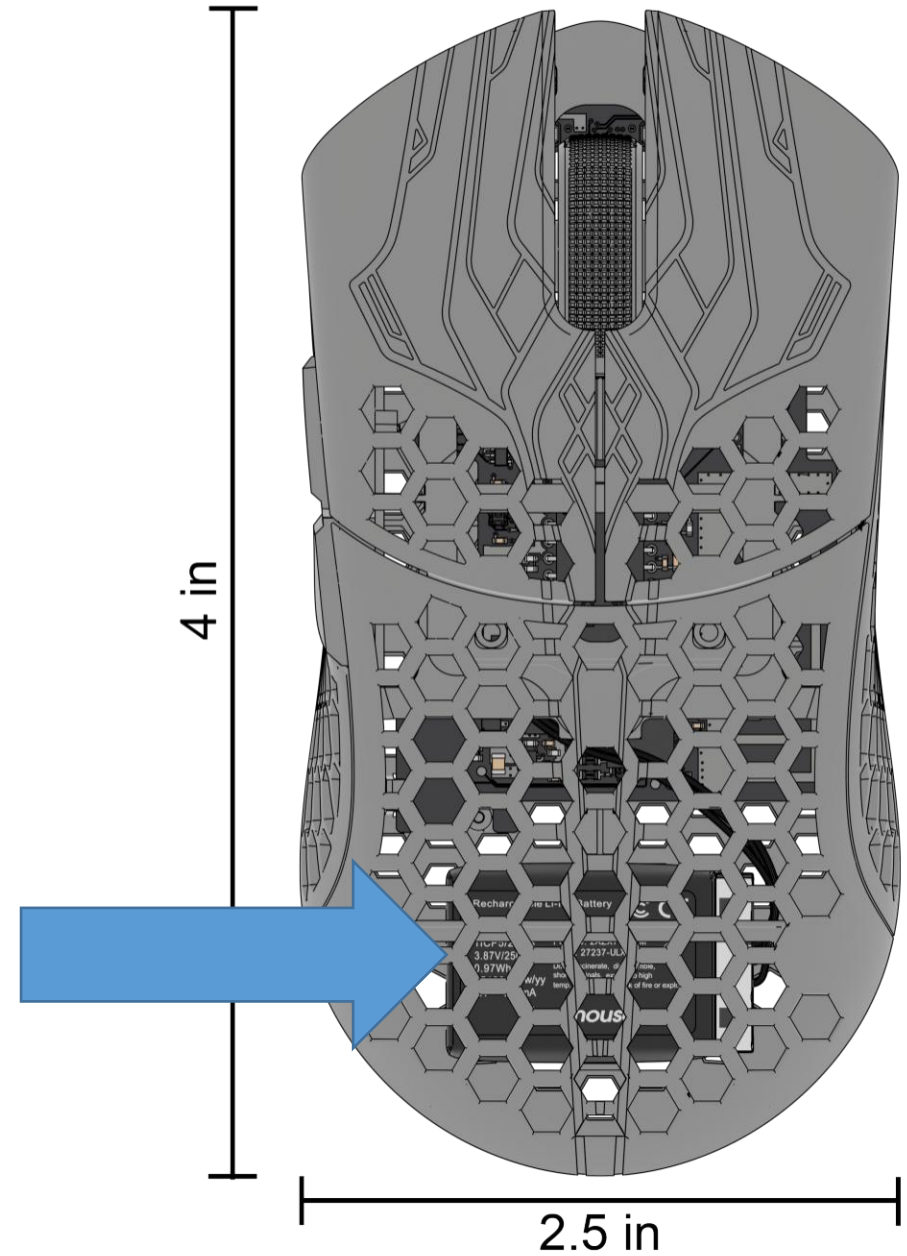
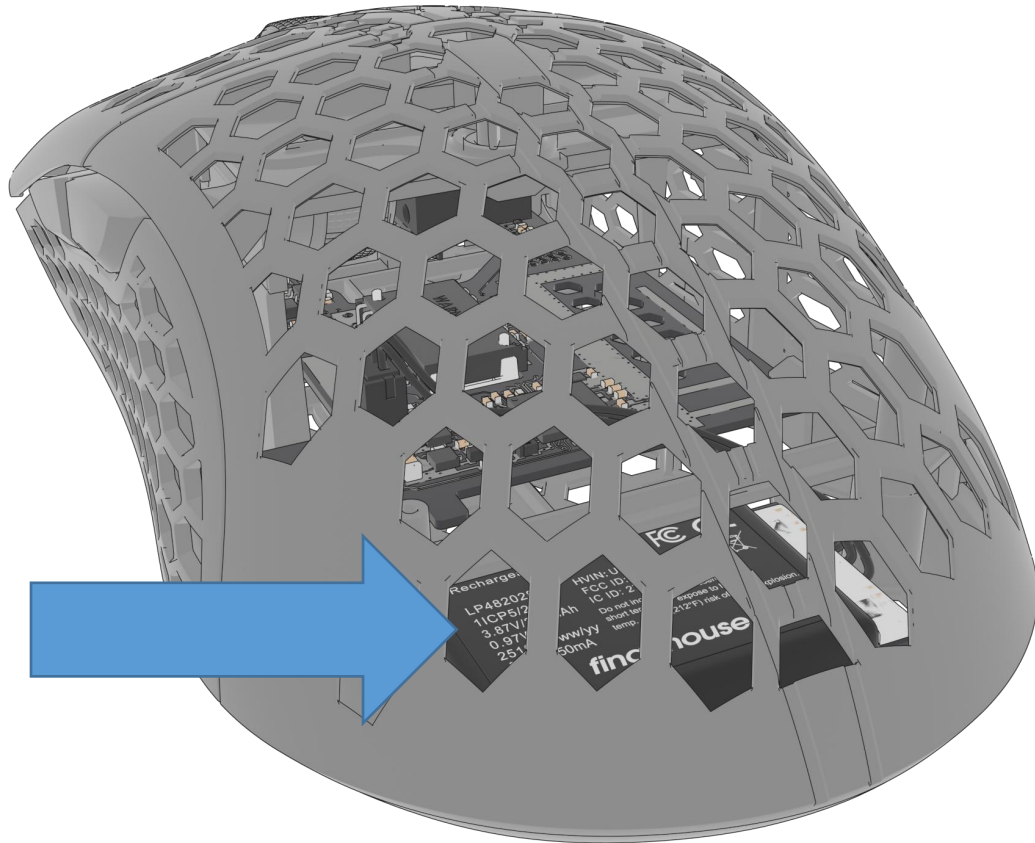


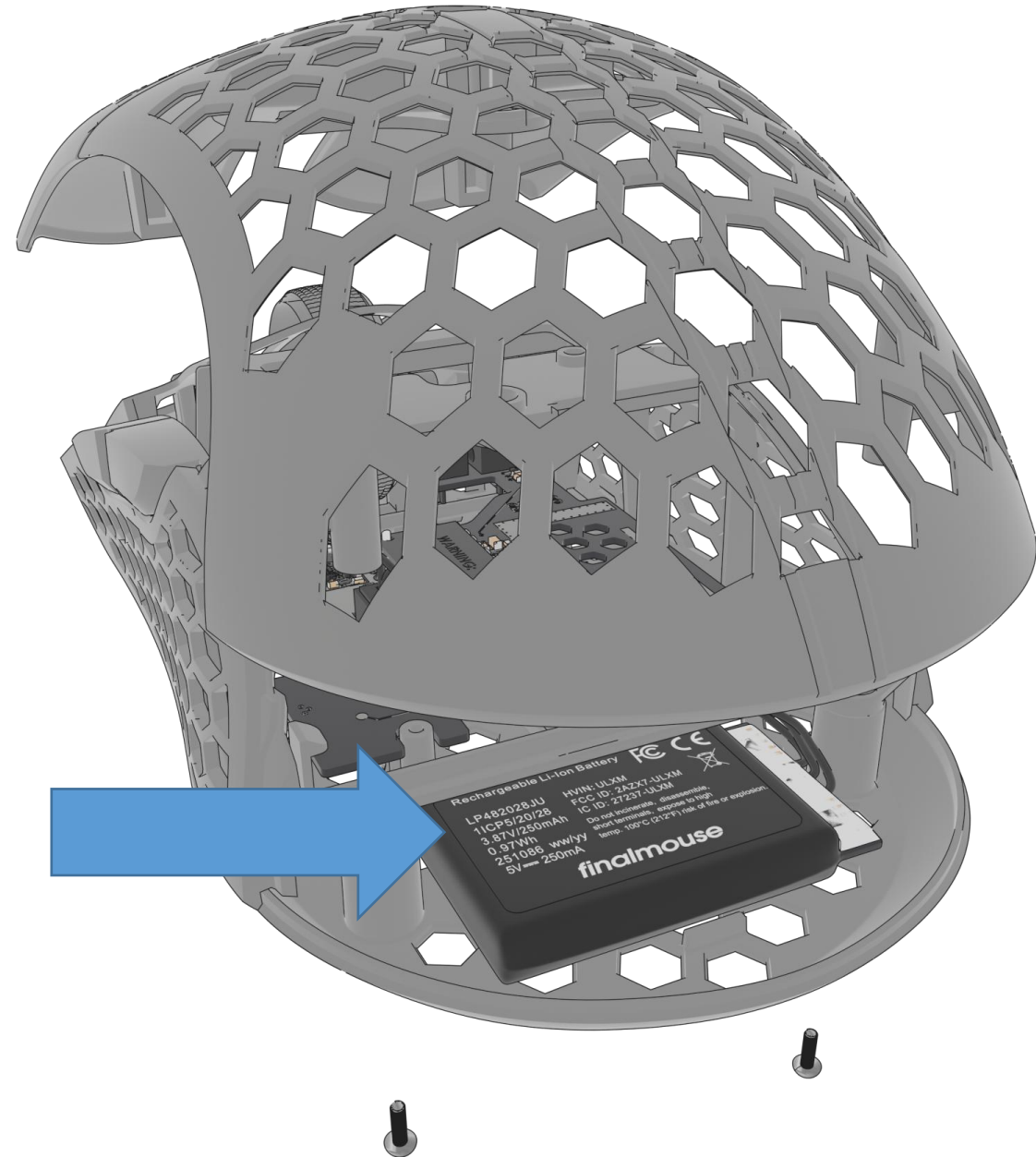
# ULXM Label location

- Label approximate location:



## ULXM Label location

- With top cover removed:



Rechargeable Li-Ion Battery



LP482028JU

HVIN: ULXM

1ICP5/20/28

FCC ID: 2AZX7-ULXM

3.87V/250mAh

IC ID: 27237-ULXM

0.97Wh

251086 ww/yy

5V  $\equiv$  250mA

Do not incinerate, disassemble,  
short terminals, expose to high  
temp. 100°C (212°F) risk of fire or explosion.



***finalmouse***